



**XT-582 MK2 OUTBACK
ILLUSTRATED PARTS CATALOGUE**

Version # 1.0
Issue Date 27-07-07
Applicability: XT582B OUTBACK MK2

Unit 22/30 Kalaroo Rd
Redhead 2290
New South Wales
Australia
Phone (+61) 2 49449199
Fax (+61) 2 49449399

Part # 108706

Copyright Notice

© Copyright Airborne Windsports Pty. Ltd. 2007

All rights reserved.

Except where the Copyright Act otherwise allows, no part of this parts catalogue may be reproduced, stored in a retrieval system in any form or transmitted by any means without prior permission in writing of Airborne Windsports Pty Ltd.

INTRODUCTION

WARNING

SOME PARTS WHICH ARE LISTED ARE COMPONENTS OF PARTS WHICH ARE NOT USER SERVICABLE. ONLY MAINTENANCE WHICH IS SPECIFIED IN THE MAINTENANCE MANUAL SHOULD BE ATTEMPTED AND ONLY THE EXACT SPARE SHOULD BE USED TO REPLACE PARTS. THE FOLLOWING DRAWINGS ARE PROVIDED AS A CONVIENIENCE TO AID IDENTIFICATION OF PARTS WHICH ARE USER MAINTAINABLE.

This manual should be used in conjunction with the correct maintenance manual, and repairs should only be carried out by competent people. Read the maintenance manual before proceeding.

This parts catalogue has been prepared to aid in the identification of components that may effect the airworthiness of the Airborne Edge XT 582-B Series of Trikes.

Drawings with various levels of detail are supplied that include all of the spare parts available – specific to the serial number identification of the base.

Most of the parts listed are available as spare parts. If a component is not listed then it may only be available as a complete assembly. For example spare parts are not available for the throttle cable, only the entire throttle cable assembly is supplied as a spare part.

All parts available are named and have part numbers, this is the identification system that should be used to order spares, eg: Shackle RF615 4mm, Part Number 100406, and the quantity required.

NB. Some parts may have been used from other trikes, and therefore have other model names in the title. The most important thing in ordering spare parts is the part number.

NOTE

Airborne data packages will be revised from time to time. Owners registered on AirBorne's database will be notified of any changes to data and directed to the AirBorne web site (<http://www.airborne.com.au/>) for the applicable pages. The amended pages should be printed and the prior page replaced in the folder as soon as possible. The amendment table should at that time be updated with the appropriate details and date. Revised pages will be sent by mail if requested.

TABLE OF CONTENTS

- 1 ASSY XT582 OUTBACK MK2 - Drawing # 7428**
- 2 FRAME ASSY XT582 TYPE 3 - Drawing # 7412**
 - 2.1 Frame Sub-Assembly XT-582 MK2 - Drawing # 7407
 - 2.2 Seat Frame Sub-Assembly - Drawing # 5634
 - 2.3 Mast Assembly - Drawing # 5564
 - 2.4 Front Pole - Drawing # 5712
 - 2.5 Fuel Tank Sub Assem - Drawing # 5923
 - 2.6 Steering Linkage Sub-Asm - Drawing # 5627
- 3 SEAT, BELTS, SOFT SIDE ASM XT OBACK - Drawing # 6980**
- 4 ELECTRICAL WIRING - Drawing # 6837**
 - 4.1 Regulator Sub-Assembly XT - Drawing # 6813
 - 4.2 Please read the note on the drawing for the new location of wires.
- 5 DASH ASM TUNDRA - Drawing # 7320**
- 6 ENGINE XT-582 FOR ASSEM - Drawing # 6905**
- 7 EXHAUST AFTER SILENCER ASSEM - Drawing # 6916**
- 8 ENGINE COMPONENTS ASSEM - Drawing # 6733**
 - 8.1 Fuel Hose Assem - Drawing # 6741
 - 8.2 Radiator Hose Assem - Drawing # 6678
 - 8.3 Radiator Assem - Drawing # 6700
 - 8.4 Fuel Pump Mount Assem - Drawing # 6740
 - 8.5 Intake Silencer Assem - Drawing # 6675
 - 8.6 Exhaust Assem - Drawing # 6710
- 9 CHOKE CABLES - Drawing # 6767**
- 10 FRONT END ASM XT TUNDRA TYPE 3 - Drawing # 7410**
 - 10.1 Fork Carrier Incl Bearings - Drawing # 6436
 - 10.2 Front Fork Sub-Asm XT- Tundra - Drawing # 6969
 - 10.3 Steering Dampener Asm - Drawing # 5610
- 11 MAST BRACE LOWER XT-582 - Drawing # 6802**
- 12 BINNACLE ASSEMBLY XT582 - Drawing # 6998**
- 13 BRAKE KIT DISK XT OBACK FITTED - Drawing # 7429**
 - 13.1 Front Wheel Asm XT Tundra No Brake - Drawing # 7431
 - 13.2 Wheel 6IN Incl Tyre For Disk Brake Tundra - Drawing # 7408
 - 13.3 Foot Throttle Lever Asm XT Disk Brake - Drawing # 7365
 - 13.4 Brake Lever Asm XT Disk Brake - Drawing # 7362
 - 13.5 Disk Brake Line Asm - Drawing # 7422
 - 13.6 Disk Brake Small Parts For Spares - Drawing # 7420

14 BRAKE KIT DRUM XT TUNDRA FITTED - Drawing # 7433

- 14.1 Front Wheel Asm XT Tundra Drum Brake - Drawing # 7434
- 14.2 Foot Throttle Lever Asm XT 3 Hole - Drawing # 6774
- 14.3 Brake Lever Sub Asm XT Grey - Drawing # 5550
- 14.4 Wheel 6IN Incl Tyre For Disk Brake Tundra - Drawing # 7408

15 PROP BOLLY CARBON XT-582 - Drawing # 7426

16 PROP WARP DRIVE XT-582 - Drawing # 7440

17 CERTIFICATION KITS XT-582 BASE - Drawing # 6924

18 MISCELLANEOUS – NUTS AND BOLTS ETC

- 18.1 AN-3 Bolts - Drawing # 5449
- 18.2 AN-4 Bolts - Drawing # 5450
- 18.3 AN-5 Bolts - Drawing # 5493
- 18.4 AN-6 Bolts - Drawing # 5494
- 18.5 Metric Nuts - Drawing # 5495
- 18.6 UNF Nut Design Table - Drawing # 5506
- 18.7 Pop Rivets - Drawing # 5515
- 18.8 Roll Pins - Drawing # 5516
- 18.9 Socket Cap Screws UNF - Drawing # 5517
- 18.10 AN Wingnuts - Drawing # 5534
- 18.11 AN Nuts Full Nyloc - Drawing # 5535
- 18.12 Washers - Drawing # 5540
- 18.13 AN Nuts Half Nyloc - Drawing # 5561
- 18.14 Thimbles - Drawing # 5565
- 18.15 Socket Cap Screws Metric - Drawing # 5603
- 18.16 Metric Nuts Full Nyloc - Drawing # 5604
- 18.17 Cable Ties - Drawing # 5605
- 18.18 Metric Grub Screws - Drawing # 5631
- 18.19 Endcaps - Drawing # 5633
- 18.20 Glues and Sealants - Drawing # 5637
- 18.21 UNC Bolts - Drawing # 5660
- 18.22 Socket Cap Screws – Countersunk - Drawing # 5668
- 18.23 Socket Button Screws - Drawing # 5677
- 18.24 Spring Washers - Drawing # 5679
- 18.25 Split Rings - Drawing # 5720
- 18.26 Screws Self Tapping - Drawing # 5909
- 18.27 O-Rings - Drawing # 5932
- 18.28 Metric Bolts - Drawing # 5935
- 18.29 Axle Bolt Gremica Wheel - Drawing # 5962

19 OPTIONS – PARACHUTE, RADIO, SERVICE KIT

- 19.1 Parachute Sub-Assembly - Drawing # 5904
- 19.2 Radio Sub-Assembly - Drawing # 6587
- 19.3 Lynx Radio Options - Drawing # 6588

20 RETROFIT KITS

- 20.1 RETRO KIT XTMK2 OBACK TO MK2 DISK - Drawing # 7467

NAVIGATING

This manual is constructed in a hierarchal manner, which is the same as a family tree, where the “Highest Level Drawing” of assembly is at the front of the manual, which is equivalent to the oldest member of the family tree, and it contains “Main Sub Chapters”, which are the equivalent of its children. In turn each of these “Main Sub Chapters” operates in the same way, whereby the order of the drawings that it contains defines the order “underneath” it, and so on.

NOTE

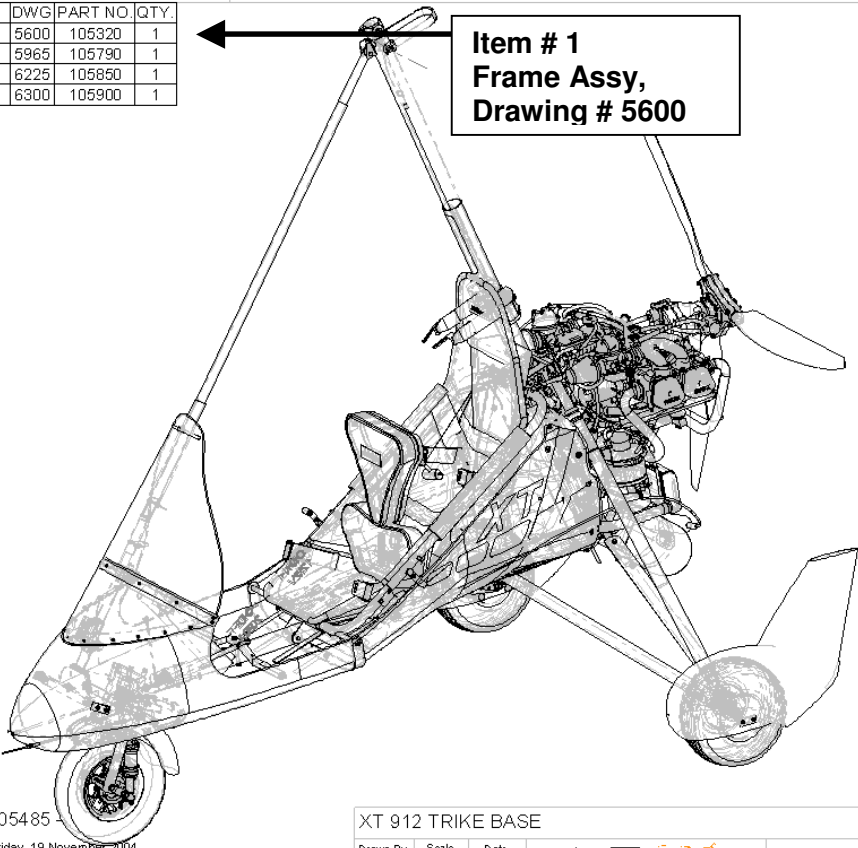
The item numbers do not always apply because not all of the next level of drawings are required. With some attention to the method of the system this manual is simple to navigate. The main thing to recognise is that each drawing underneath the “Main Sub Chapter” is pointed out by the balloon number on it so that the general area of the trike may be visually identified, and then the drawing number which is needed can be found.

EXAMPLE

For example if you were to require a new safety pin for the backup loop wingnut.

Step 1. Identify that it is a part of the frame assembly , which means that it is in chapter 1.

ITEM NO.	NAME	DWG	PART NO.	QTY.
1	FRAME ASSY XT912	5600	105320	1
2	POD ASSEMBLY XT-912 - COLOUR	5965	105790	1
3	SEAT, BELTS & SOFT SIDE ASSEMBLY XT	6225	105850	1
4	WIRING ELECTRICAL ASSEM XT	6300	105900	1



Item # 1
Frame Assy,
Drawing # 5600

Rev	AMENDMENTS	Date

PART NO. 105485
LAST ACCESSED: Friday, 19 November 2004
ALL DIMENSIONS IN MILLIMETERS UNLESS STATED OTHERWISE

Drawn By	Scale	Date
Cris	1:15	02/06/03

XT 912 TRIKE BASE
AirBorne
AUSTRALIA
5703
SHEET 1 of 1

Step 2. So now if you go to that drawing (5600) then you may use the balloon identifiers to find the next drawing number that is required. It could be on either 3 or 4, so try 3 (5564) first.

ITEM NO.	NAME	DWG	PART NO.	QTY.
1	FRAME SUB-ASSEM XT 912	5787	105586	1
2	SEAT FRAME SUB-ASSEM GREY	5634	105429	1
3	MAST ASSEMBLY EDGE XT	5564	105283	1
4	FRONT POLE SUB-ASSEM XT	5712	105499	1
5	LOWER MAST BRACE SUB-ASSEM XT	5713	105500	1
6	WHEEL SPAT SUB-ASSEM LHS XT	5789	105596	1
7	WHEEL SPAT SUB-ASSEM RHS XT	5790	105599	1
8	ENGINE COMPONENTS ASSEMBLY XT-912	5791	105600	1
9	GREMICA FRONT WHEEL ASSEMBLY XT	5950	105781	1
10	BATTERY SUB-ASSEMBLY XT	6226	105851	1
11	THROTTLE CABLE SUB-ASSEMBLY XT-912	5425	105773	1
12	CHOKE CABLE ASSEM XT912 RHS	5426	105757	1
13	PARACHUTE SUB-ASSEM BRS XT	5904	105723	1

NOTE:
WHEN ATTACHING SPATS, TIGHTEN WHEEL RETAINING BOLT TO APPROXIMATE POSITION. ATTACH SPAT THEN FULLY TIGHTEN THE INSIDE AXLE NUT TO LOCK IN PLACE

UPDATE GJP FORMS WITH REV CHANGE

REV	AMENDMENTS	DATE
1	UPDATE TO REFLECT MANUFACTURE	10/07/03

Use Balloon Identifier for the 1st Level Drawing. In this case Item 3 - Mast Assembly, Drawing # 5564.

NOTE: SPAT NOT SHOWN

FRAME ASSY XT912: PART NO. 105320 -			
Drawn By	Scale	Date	
C/s	1:15	06/05/03	5600 SHEET 1 of 1

Figure 2 Chapter 1. Frame Assembly, Drawing # 5600

Step 3. Order!

Now that the actual component has been found the Part Number **AND THE DESCRIPTION** can be recorded in order to make the spare part order.

E.g. Safety Pin, Part # 100920.

ITEM NO.	NAME	DWG	PART NO.	QTY.
1	MAST TUBE VERT SUB ASSY XT	5588	105321	1
2	BACKUP LOOP - TRIKE	4640	100865	1
3	MAST TOP ADAPTER SUB-ASSEM XT	5792	105602	1
4	BOLT MAST TOP SAFETY EDGE	5555	102579	1
5	BRACKET A FRAME TOP TYPE 1 STAIN	4159	100762	1
6	SADDLE 60MM TUBE	7166	100080	1
7	BOLT AN5-31 a	5493	100022	1
8	BOLT AN4-20	5450	105330	1
9	WASHER SS 3-8 X 3-4"	5540	100924	1
10	WASHER AN6	5540	100044	8
11	WASHER AN5	5540	100043	1
12	NUT NYLOC AN6 FULL	5535	100038	1
13	NUT NYLOC AN5 FULL	5535	100036	1
15	Washer SS Square A-Frame	3047	101185	1
16	WINGNUT AN6	5534	101065	1
17	SAFETY PIN	5545	100920	2
18	WINGNUT AN4	5534	102472	1
19	HEART BOLT 35 ASSEMBLY	6559	106671	1

ITEM # 2 "BACKUP LOOP TRIKE" IS ASSEMBLED WITH THE MAST BETWEEN THE TWO SETS OF AN6 WASHERS (ITEM 10). WHERE THERE ARE SEVEN ON THE RHS AND 1 ON THE LHS.

**Visually identify the component
And match it to the part number given in the Bill of Materials.**

Rev	AMENDMENTS	Date	PART NO. 105283	A (1 : 3)	MAST ASSEMBLY EDGE XT		
1	MAST TOP ADAPTER SUB-ASSEM ADDED	11/7/03	LAST ACESSED: Friday, 26 November 2004		Drawn By	Scale	Date
2	BOLT AND DIRECTION CHANGED	4/02/04	ALL DIMENSIONS IN MILLIMETERS UNLESS STATED OTHERWISE		Simon	1:12	05/05/03
					AirBorne AUSTRALIA		5564 SHEET 2 of 2

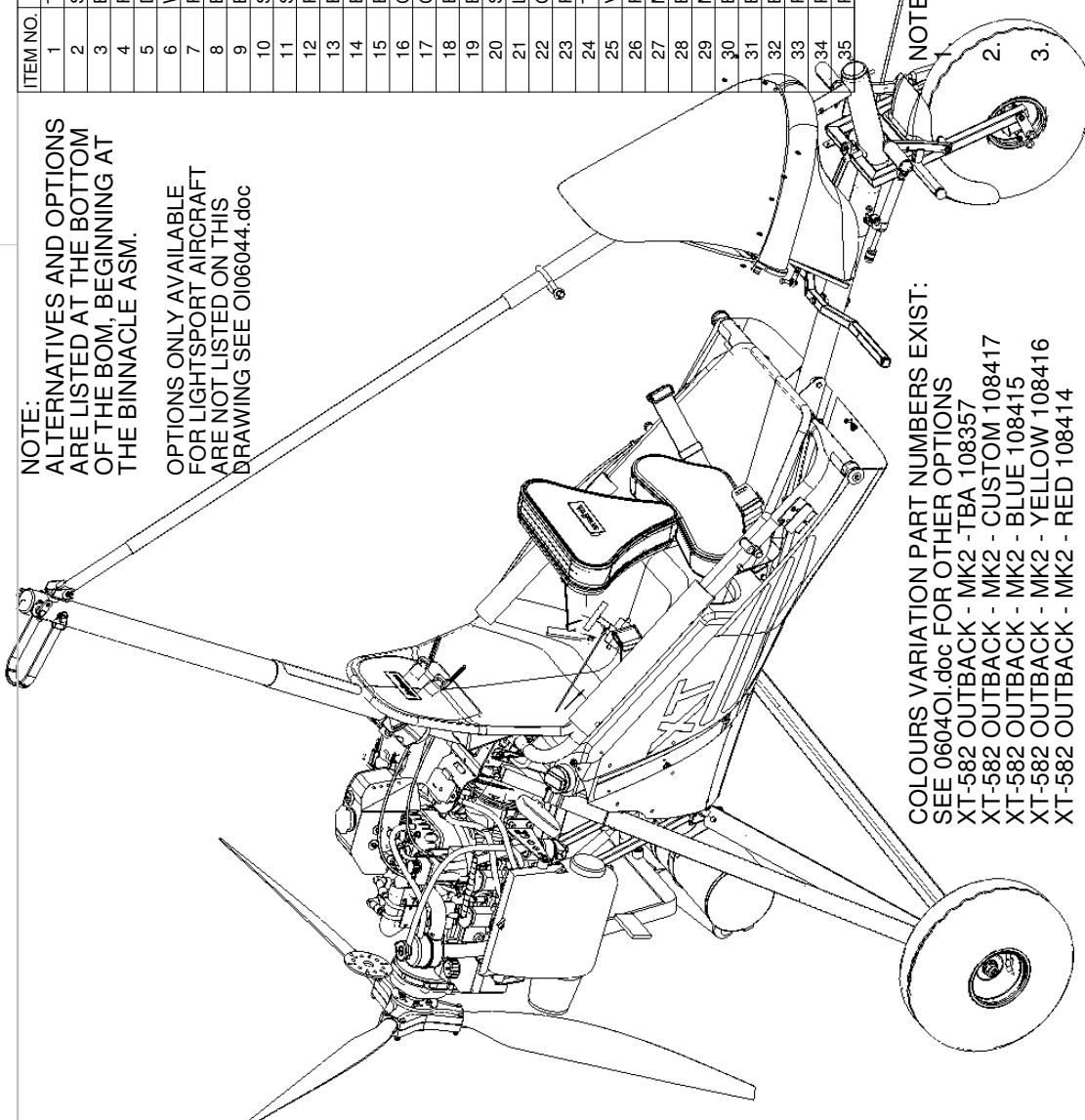
Figure 3 Identify the actual component required

1 ASSY XT582 OUTBACK MK2

- **Drawing # 7428**

NOTE:
ALTERNATIVES AND OPTIONS ARE LISTED AT THE BOTTOM OF THE BOM, BEGINNING AT THE BINNACLE ASM.

OPTIONS ONLY AVAILABLE FOR LIGHTSPORT AIRCRAFT ARE NOT LISTED ON THIS DRAWING SEE O106044.doc



COLOURS VARIATION PART NUMBERS EXIST:
SEE 06040J.doc FOR OTHER OPTIONS
XT-582 OUTBACK - MK2 - TBA 108357
XT-582 OUTBACK - MK2 - CUSTOM 108417
XT-582 OUTBACK - MK2 - BLUE 108415
XT-582 OUTBACK - MK2 - YELLOW 108416
XT-582 OUTBACK - MK2 - RED 108414

NOTES:
1. DATA PLATE IS RIVETED TO THE MAST BLOCK, SEE DWG # 5658 FOR MORE DETAIL IF NECESSARY.
2. A CERTIFICATION KIT MUST BE SUPPLIED WITH THIS BASE. SEE DWG # 6924 FOR AVAILABLE KITS.
3. THE WIRE IS USED TO POSITION THE DASH, PINCHWELD INSTALLED OVER THE TOP.

ITEM NO.	NAME	DWG	PART NO.	QTY.
1	TRIKE BASE FRAME ASM XT-582 TYPE 3	7412	108359	1
2	SOFT SIDE ASM XT TUNDRA	6980	108120	1
3	BATTEN OUTBACK SOFTSIDE ASM	7436	108614	2
4	FOOT REST TUNDRA XT	6983	108129	2
5	DASH SUB-ASSEM XT TUNDRA	7320	108165	1
6	WIRING ELECTRICAL ASSEM XT582	6837	107220	1
7	PLACARDS SET GENERIC EDGE XT-582	6854	106775	1
8	BINNACLE WIND DEFLECTOR LHS	7340	108343	1
9	BINNACLE WIND DEFLECTOR RHS	7340	108344	1
10	STICKER OUTBACK	5357	105480	1
11	STICKER SPAT EDGE XT-582 SILVER	6858	107367	2
12	PLATE SHIELD OIL TANK 582 ASSY	6865	107383	1
13	ENGINE 582XT FOR TRIKE BASE ASSY	6905	107583	1
14	EXHAUST AFTER SILENCER AIRBORNE ASS	6916	107629	1
15	ENGINE COMPONENTS ASSEMBLY XT-582	6733	106986	1
16	CHOKE CABLE COMPLETE FRONT XT-582	6767	107027	1
17	CHOKE CABLE COMPLETE REAR XT-582	6767	107030	1
18	ENGINE 582 INTAKE ASSEMBLY	6660	106851	1
19	BUNG FOOT REST XT-TUNDRA	6984	108130	2
20	SKT CAP SCREW SS M 6 X 50	5603	104556	2
21	LOCTITE 243 Blue Med Strength	5637	103706	2
22	GRIP TAPE 50MM X 80L	5552	105280	2
23	PINCHWELD X 1.4M	7332	108302	1
24	TIE WIRE -0.8D x 120L	6372	106285	1
25	VELCRO LOOP 50x120 ADHESIVE	6313	106412	1
26	FRNT END SUBASM XT TUNDRA TYPE 3	7410	108361	1
27	MAST BRACE LOWER SUBASM XT582	6802	107165	1
28	BATTERY SUB-ASSEMBLY XT	6226	105851	1
29	MUDGUARD EDGE X TUNDRA - COMPLETE	6362	106232	1
30	BINNACLE ASM XT OUTBACK - TBA	6998	108162	1
31	BRAKE KIT DISK XT OUTBACK FITTED	7429	108473	1
32	BRAKE KIT DRUM XT OUTBACK FITTED	7433	108420	1
33	PROP INSTALLATION BOLLY RH 582 STND	7426	108423	1
34	PROP INSTALLATION BOLLY RH 582 D-TUF	7426	108424	1
35	PARACHUTE SUB-ASSEMBLY BRS XT	5904	105723	1

PART NO. 108357

TRIKE BASE ASM XT-582 MK2 OUTBACK TBA

Rev	AMENDMENTS	Date

LAST ACCESSED: Thursday, 26 July 2007
ALL DIMENSIONS IN MILLIMETERS UNLESS STATED OTHERWISE

Drawn By: Simon
Scale: 1:15
Date: 30-04-07

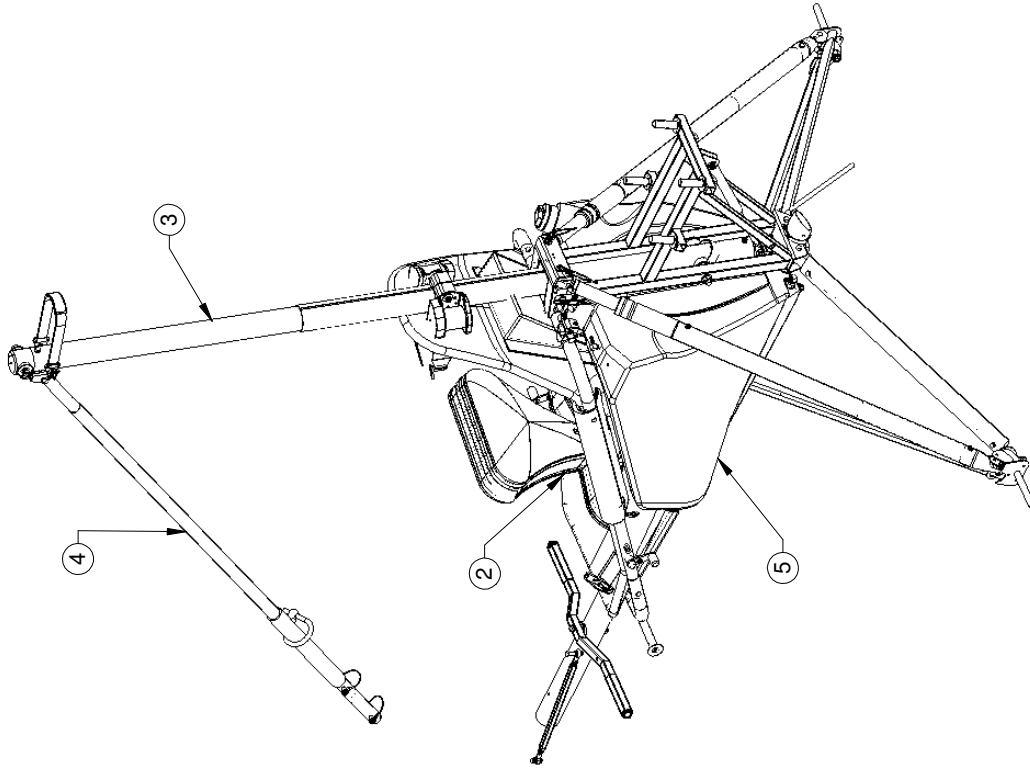
AirBorne
AUSTRALIA

7428
SHEET 1 of 1

2 FRAME ASSY XT582 TYPE 3 - Drawing # 7412

2.1	<i>Frame Sub-Assembly XT-582 MK2</i>	-	<i>Drawing # 7407</i>
2.1.1	Rear End Sub-Assembly	-	Drawing # 6734
2.1.1.1	Seat Mast Block Sub Assem XT	-	Drawing # 5658
2.1.2	Base Tube Sub-Assembly	-	Drawing # 5632
2.1.3	Seat Front Mount	-	Drawing # 5657
2.1.4	Rear Swing Arm LHS MK2	-	Drawing # 7398
2.1.4.1	Hub Assembly Rear Edge XT LHS MK2	-	Drawing # 7392
2.1.5	Rear Swing Arm LHS MK2	-	Drawing # 7399
2.1.5.1	Hub Assembly Rear Edge XT RHS MK2	-	Drawing # 7391
2.1.6	Compression Strut Rear Assembly MK2	-	Drawing # 7397
2.2	<i>Seat Frame Sub-Assembly</i>	-	<i>Drawing # 5634</i>
2.2.1	Over Centre Latch With Safety	-	Drawing # 5708
2.2.2	Throttle Lever Sub-Assembly	-	Drawing # 5676
2.2.3	Choke Lever Sub-Assembly	-	Drawing # 5675
2.2.4	Ignition Switch Sub-Assembly	-	Drawing # 5670
2.2.5	Fuel Tap Bracket	-	Drawing # 5669
2.3	<i>Mast Assembly</i>	-	<i>Drawing # 5564</i>
2.3.1	Mast Tube Vert Sub-Assembly	-	Drawing # 5588
2.3.1.1	Heart Bolt 35 Assembly	-	Drawing # 6559
2.4	<i>Front Pole</i>	-	<i>Drawing # 5712</i>
2.5	<i>Fuel Tank Sub Assem</i>	-	<i>Drawing # 5923</i>
2.6	<i>Steering Linkage Sub-Asm</i>	-	<i>Drawing # 5627</i>

ITEM NO.	NAME	DWG PART NO.	QTY.
1	FRAME SUBASM XT-582 MK2	7407	108552 1
2	SEAT FRAME SUB-ASSEMBLY XT GREY	5634	105429 1
3	MAST ASSEMBLY EDGE XT	5564	105283 1
4	FRONT POLE SUB-ASSEMBLY XT	5712	105499 1
5	FUEL TANK SUB-ASSEM XT	5923	105729 1
6	FUEL TANK BREATHER ASSEMBLY XT-582	6748	107005 1
7	STEERING LINKAGE SUB-ASSEMBLY GREY	5627	105398 1
8	WIRING LOOM MAIN SUB-ASSEM XT	6280	105955 1
9	SEAT BELT LAP FRONT XT SUB-ASSEM LHS	5645	105407 1
10	SEAT BELT LAP FRONT XT SUB-ASSEM RHS	5646	105408 1
11	BOLT AN5-30 a	5493	100021 1
12	NUT NYLOC AN5 FULL	5535	100036 1
13	SEAT BACK REST COMPLETE - BLACK	6200	102050 1
14	SEAT CUSHION COMPLETE - GREY	5981	103348 1
15	MAST HEAD REST PADDING COMPLETE XT	6290	106532 1
16	THROTTLE CABLE COMPLETE XT-582 INJ	6766	107033 1
17	WIRING LOOM IGNITION 582 XT	6816	107197 1



COPIED FROM A4-7334, 17-04-07

TRIKE BASE FRAME ASM XT-582 TYPE 3

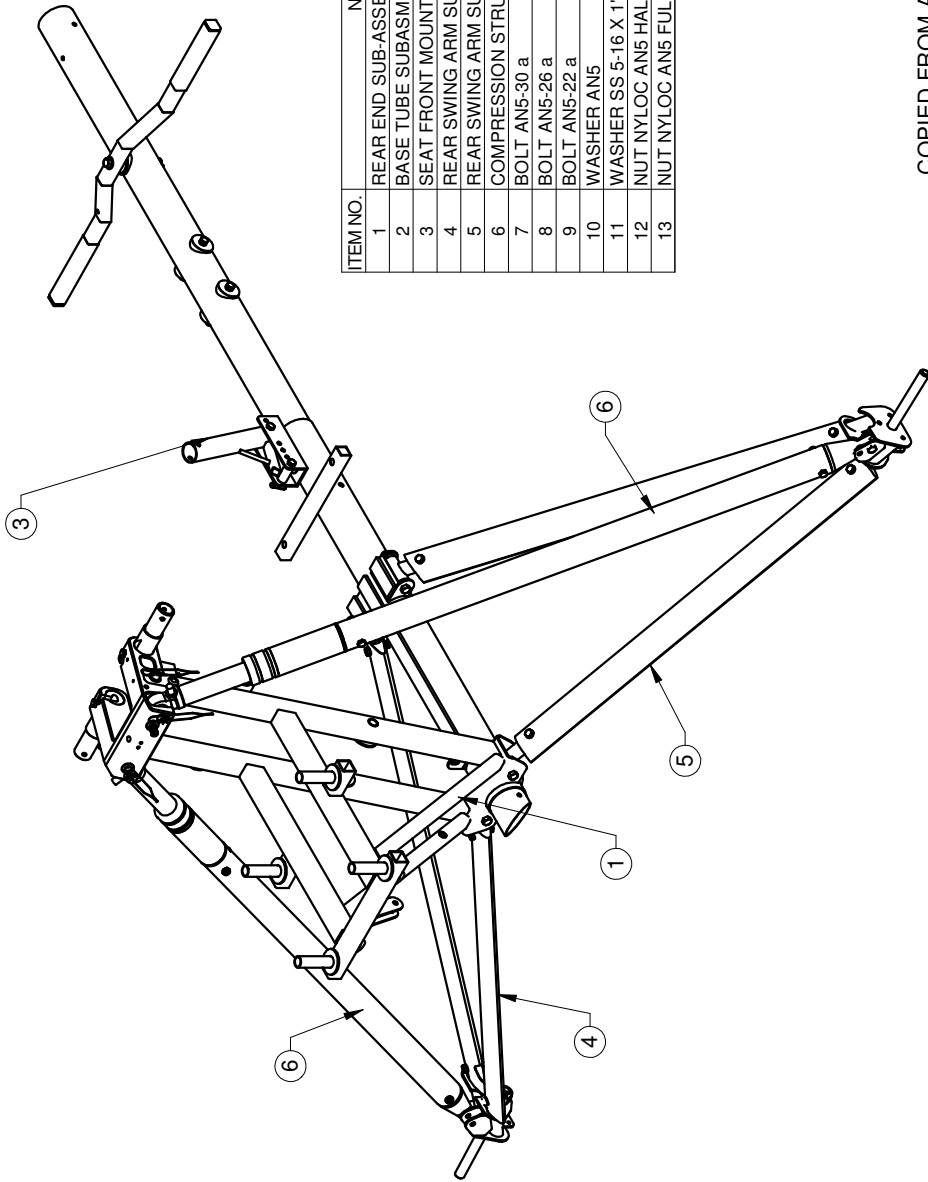
Drawn By Simon	Scale 1:16	Date 17-04-07	AirBorne AUSTRALIA	7412 SHEET 1 of 1
-------------------	---------------	------------------	------------------------------	----------------------

PART NO. 108359 - 0

LAST ACCESSED: Tuesday, 10 July 2007

ALL DIMENSIONS IN MILLIMETERS UNLESS STATED OTHERWISE

Rev	AMMENDMENTS	Date



ITEM NO.	NAME	DWG	PART NO.	QTY.
1	REAR END SUB-ASSEMBLY XT-582	6734	106987	1
2	BASE TUBE SUBASSEMBLY XT GREY	5632	105402	1
3	SEAT FRONT MOUNT SUB-ASSEMBLY XT	5657	105445	1
4	REAR SWING ARM SUBASSEMBLY XT MK2 LHS	7398	108445	1
5	REAR SWING ARM SUBASSEMBLY XT MK2 RHS	7399	108446	1
6	COMPRESSION STRUT REAR ASSEMBLY XT MK2	7397	108447	2
7	BOLT AN5-30 a	5493	100021	2
8	BOLT AN5-26 a	5493	104713	1
9	BOLT AN5-22 a	5493	100017	1
10	WASHER AN5	5540	100043	3
11	WASHER SS 5-16 X 1" X 16g	5540	100714	2
12	NUT NYLOC AN5 HALF	5561	100037	1
13	NUT NYLOC AN5 FULL	5535	100036	3

COPIED FROM A4-6732, 11-04-07

PART NO. 108552 - 0

LAST ACCESSED: Monday, 9 July 2007

ALL DIMENSIONS IN MILLIMETERS UNLESS STATED OTHERWISE

FRAME SUBASSEMBLY XT-582 MK2

Drawn By	Scale	Date
Simon	1:10	11-04-07

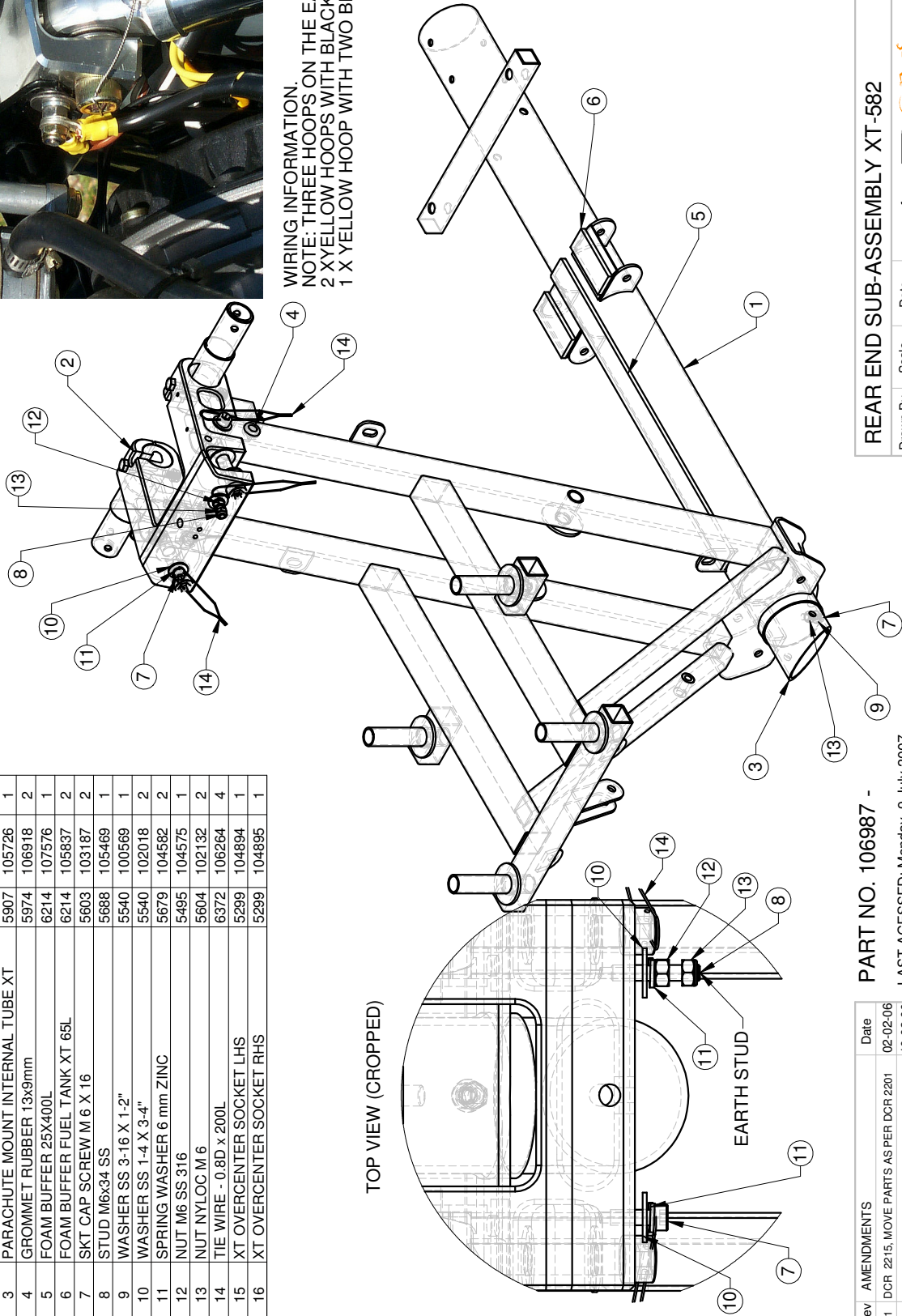
7407
SHEET 1 of 1

AirBorne
AUSTRALIA



WIRING INFORMATION.
NOTE: THREE HOOPS ON THE EARTH STUD:
2 X YELLOW HOOPS WITH BLACK WIRES
1 X YELLOW HOOP WITH TWO BROWN WIRES.

ITEM NO.	NAME	DWG	PART NO.	QTY.
1	REAR END COMPLETE XT-582	6705	106223	1
2	SEAT MAST BLOCK SUB-ASSEM XT	5658	105446	1
3	PARACHUTE MOUNT INTERNAL TUBE XT	5907	105726	1
4	GROMMET RUBBER 13x9mm	5974	106918	2
5	FOAM BUFFER 25X400L	6214	107576	1
6	FOAM BUFFER FUEL TANK XT 65L	6214	105837	2
7	SKT CAP SCREW M 6 X 16	5603	103187	2
8	STUD M6x34 SS	5688	105469	1
9	WASHER SS 3-16 X 1-2"	5540	100569	1
10	WASHER SS 1-4 X 3-4"	5540	102018	2
11	SPRING WASHER 6 mm ZINC	5679	104582	2
12	NUT M6 SS 316	5495	104575	1
13	NUT NYLOC M 6	5604	102132	2
14	TIE WIRE - 0.8D X 200L	6372	106264	4
15	XT OVERCENTER SOCKET LHS	5299	104894	1
16	XT OVERCENTER SOCKET RHS	5299	104895	1



TOP VIEW (CROPPED)

EARTH STUD

PART NO. 106987 -

REAR END SUB-ASSEMBLY XT-582

Rev	AMENDMENTS	Date
1	DCR 2215, MOVE PARTS AS PER DCR 2201	02-02-06
2	DCR 2217, CHG FOAM LENGTH.	10-02-06

LAST ACCESSED: Monday, 9 July 2007

ALL DIMENSIONS IN MILLIMETERS UNLESS STATED OTHERWISE

Drawn By	Scale	Date
Cris	1:5	10/02/05

6734
SHEET 1 of 1

AirBorne
AUSTRALIA



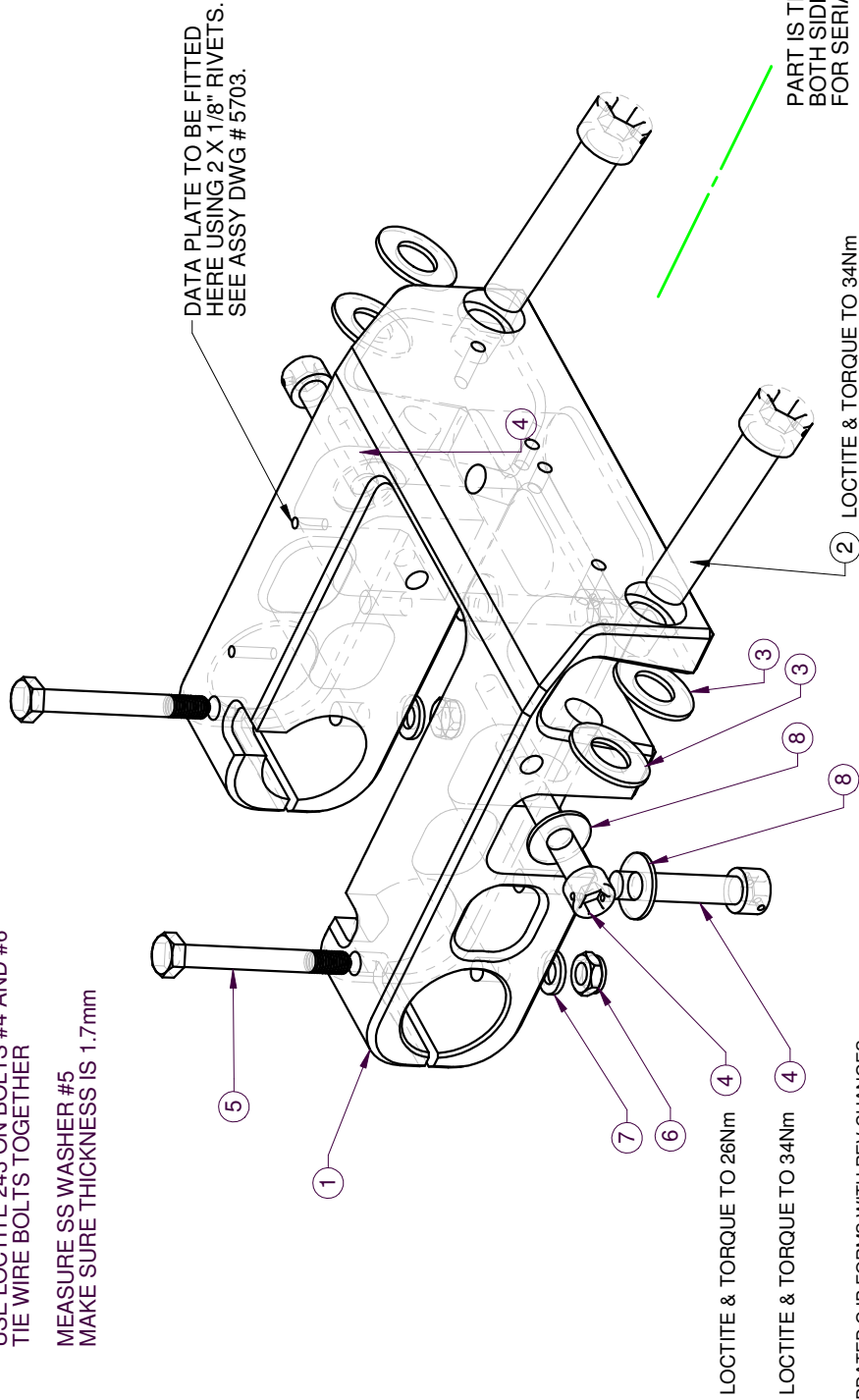
ITEM NO.	NAME	DWG	PART NO.	QTY.
1	SEAT MAST BLOCK XT	5234	104734	1
2	SKT CAP SCREW M 12 X 60 DRILLED	5603	106448	2
3	WASHER SS 1-2 X 1" 304 FLAT	5540	100093	4
4	SKT CAP SCREW M 8 X 40 DRILLED	5603	106449	4
5	BOLT AN4-22 a	5450	100549	2
6	NUT NYLOC AN4 HALF	5561	100035	2
7	WASHER AN4	5540	100042	2
8	WASHER SS 5-16 X 3-4"	5540	102332	4

ASSEMBLY NOTES:

TORQUE SETTING:
 - HORIZONTAL M8 CAP SCREWS 26 N.m (19 ft. lbs) #6
 - VERTICAL M8 CAP SCREWS 34 N.m (19 ft. lbs) #6
 - M12 CAP SCREWS 34 N.m (25 ft. lbs) #4
 (SEE ENGRPT 03/115)

USE LOCTITE 243 ON BOLTS #4 AND #6
 TIE WIRE BOLTS TOGETHER

MEASURE SS WASHER #5
 MAKE SURE THICKNESS IS 1.7mm



PART IS THE SAME
 BOTH SIDES, EXCEPT
 FOR SERIAL PLATE

SEAT MAST BLOCK SUB-ASSEM XT

Drawn By	Scale	Date	AirBorne AUSTRALIA
Cris	1:1.8	20/05/03	
			5658 SHEET 1 of 1

PART NO. 105446 -

LAST ACCESSED: Monday, 9 July 2007
 ALL DIMENSIONS IN MILLIMETERS UNLESS STATED OTHERWISE

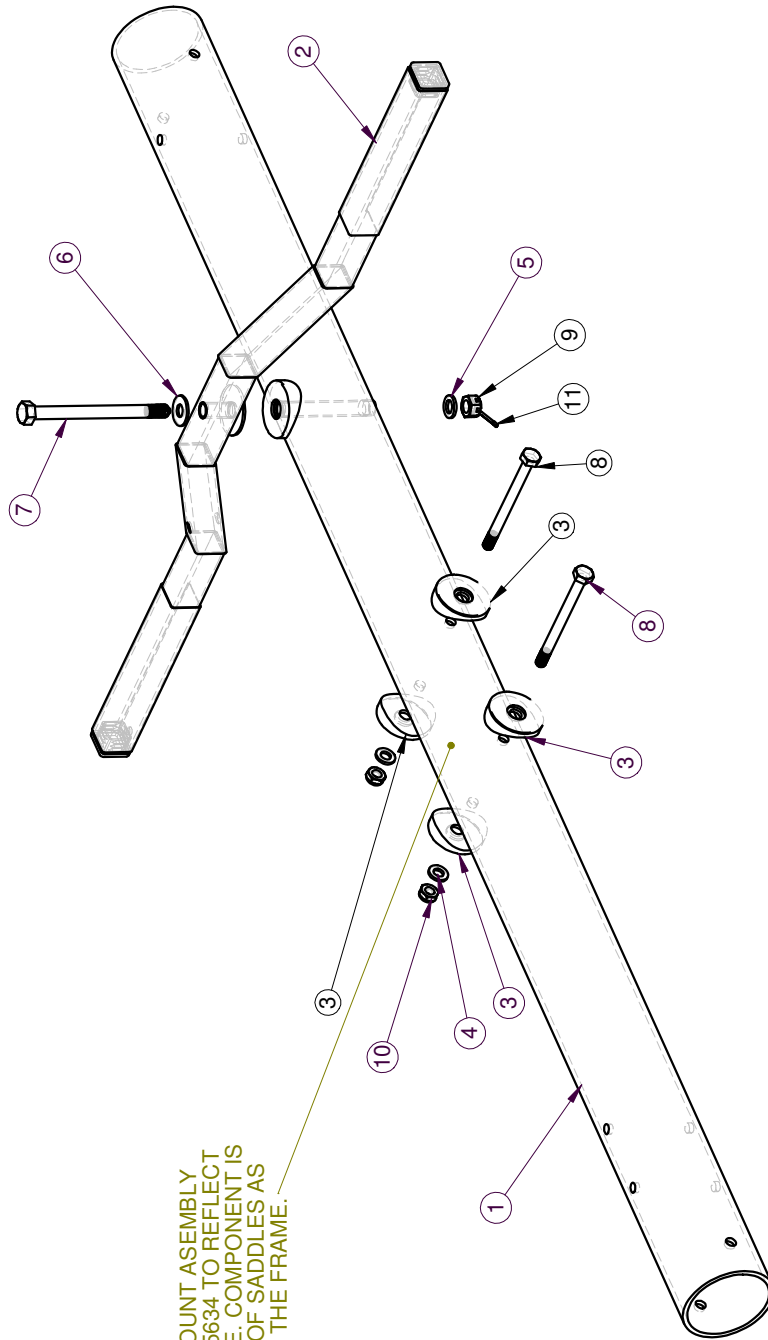
UPDATED GJP FORMS WITH REV CHANGES

Rev	AMENDMENTS	Date
1	NEW SERIAL PLATE, FROM TRIKE BASE # XXX	18/10/04
2	NEW DATA PLATE / PART #, FOR XT-582, DCR 2175	26-09-05
3	DCR 2201, MOVED PARTS TO 5703 AND 5634	19-01-06

PART NO. 105402 - BASE TUBE SUB-ASSEMBLY XT GREY

ITEM NO.	NAME	DWG	PART NO.	QTY.
1	BASE TUBE EDGE XT INCL FITTINGS	5231	104727	1
2	REAR STEERING ARM TYPE 2 GREY	5620	105392	1
3	SADDLE 60MM TUBE	7166	100080	4
4	WASHER AN4	5540	100042	2
5	WASHER AN5	5540	100043	1
6	WASHER SS 5-16 X 3-4"	5540	102332	1
7	BOLT AN5-36	5493	106618	1
8	BOLT AN4-31	5450	100631	2
9	NUT AN5 CASTLE	6297	101182	1
10	NUT NYLOC AN4 HALF	5561	100035	2
11	SPLIT PIN M2.0 x 20	6296	100308	1

MOVED SEAT BASE MOUNT ASSEMBLY PART # 104941 TO A4-5634 TO REFLECT ASSEMBLY SEQUENCE. COMPONENT IS BOLTED ON OUTSIDE OF SADDLES AS THE SEAT IS ADDED TO THE FRAME.



UPDATE GJP FORMS WITH REV CHANGE

Rev	AMENDMENTS	Date
1	WASHERS DELETED, BOLT CHANGED	24/02/04
2	SHEET NAME CHANGED + BUSH ADDED	2/07/04
3	CASTLE NUT/BOLT + SPLIT PIN (DCR 2009)	27/09/04
4	DCR 2201, MOVED PART TO 5634	19-01-06
5	DCR 2262, ASIM SEO CHANGE	18-09-06

LAST ACCESSED: Monday, 9 July 2007

ALL DIMENSIONS IN MILLIMETERS UNLESS STATED OTHERWISE

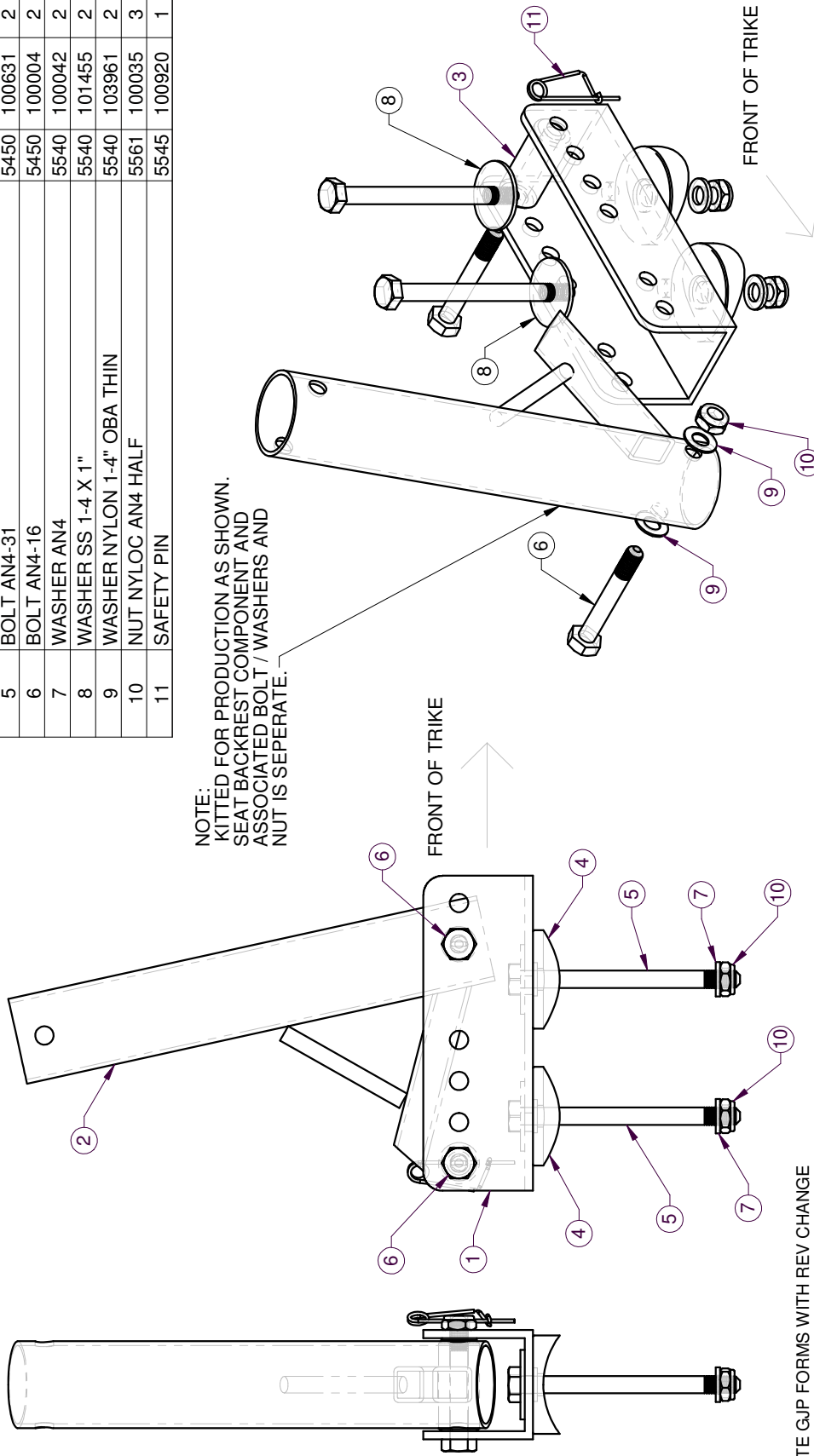
BASE TUBE SUB-ASSEMBLY XT

Drawn By	Scale	Date	5632 SHEET 1 of 1
Cris	1:4	13/05/03	



ITEM NO.	NAME	DWG PART NO.	QTY.
1	SEAT B-REST MOUNT CHANNEL-(REF TC 4400)	4400	1
2	SEAT BRACKET COMPONENT - (REF TC A4-4403)	4403	1
3	SEAT BACKREST MOUNT BUSH	5638	1
4	SADDLE 60MM TUBE	7166	2
5	BOLT AN4-31	5450	2
6	BOLT AN4-16	5450	2
7	WASHER AN4	5540	2
8	WASHER SS 1-4 X 1"	5540	2
9	WASHER NYLON 1-4" OBA THIN	5540	2
10	NUT NYLOC AN4 HALF	5561	3
11	SAFETY PIN	5545	1

NOTE:
KITTED FOR PRODUCTION AS SHOWN.
SEAT BACKREST COMPONENT AND
ASSOCIATED BOLT / WASHERS AND
NUT IS SEPERATE.



SEAT FRONT MOUNT SUB-ASSEM XT

Drawn By	Scale	Date	5657 SHEET 1 of 1
Cris	1:2	20/05/03	

PART NO. 105445 -

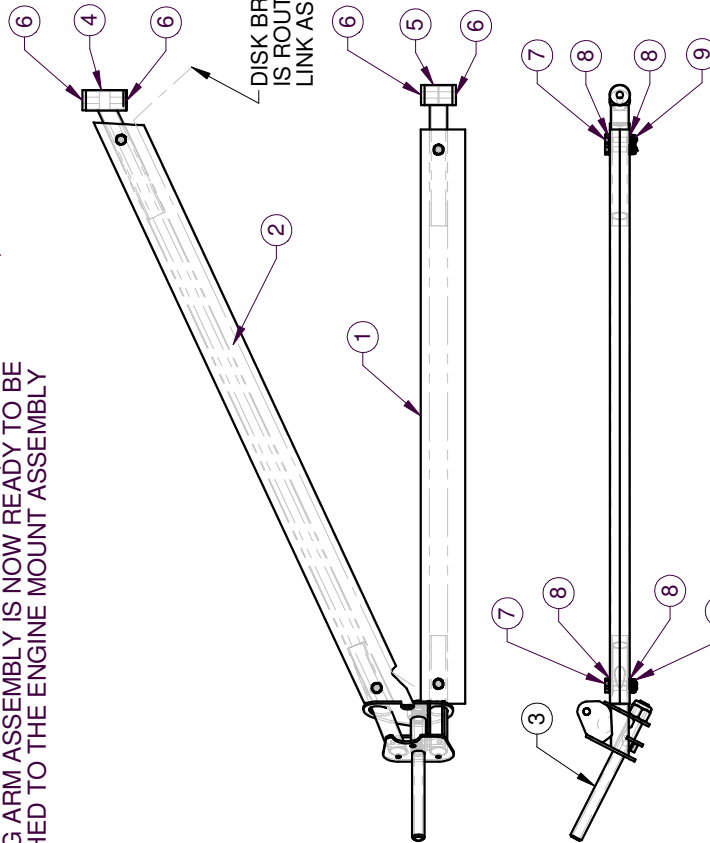
LAST ACCESSED: Monday, 9 July 2007
ALL DIMENSIONS IN MILLIMETERS UNLESS STATED OTHERWISE

UPDATE GJP FORMS WITH REV CHANGE

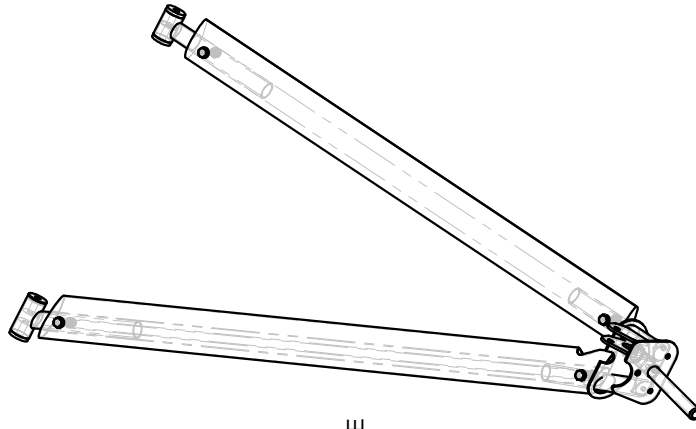
Rev	AMENDMENTS	Date
1	PARTS UPDATE	24/02/04

ITEM NO.	NAME	DWG	PART NO.	QTY.
1	REAR STRUT FAIRED EDGE XT MK2 715MM	7374	108448	1
2	REAR STRUT FAIRED DRAG LINK EDGE XT MK2	7373	108449	1
3	HUB ASM REAR EDGE XT MK2 LHS	7392	108450	1
4	PIVOT BRACKET DRAG LINK XT GREY	5414	105175	1
5	PIVOT BRACKET REAR STRUT XT	5415	105174	1
6	PIVOT BRACKET ACETAL BUSH XT	5413	105176	4
7	BOLT AN4-13 a	5450	101333	4
8	WASHER AN4	5540	100042	8
9	NUT NYLOC AN4 HALF	5561	100035	4

ASSEMBLY INSTRUCTIONS:
 1. PRESS BUSHES INTO PIVOT HOUSING
 2. ATTACH SUS PIVOTS TO STRUTS (DO NOT TIGHTEN)
 3. ATTACH HUB ASSEMBLY TO STRUT (DO NOT TIGHTEN)
 4. SWING ARM ASSEMBLY IS NOW READY TO BE ATTACHED TO THE ENGINE MOUNT ASSEMBLY



DISK BRAKE HYDRAULIC TUBE IS ROUTED THRU THE DRAG LINK AS SHOWN.



FOR EXPLODED DETAIL VIEW SEE RHS SUB-ASSEM A4-7399

COPIED FROM A4-5635, 05-04-07

REAR SWING ARM SUBASM XT MK2 LHS

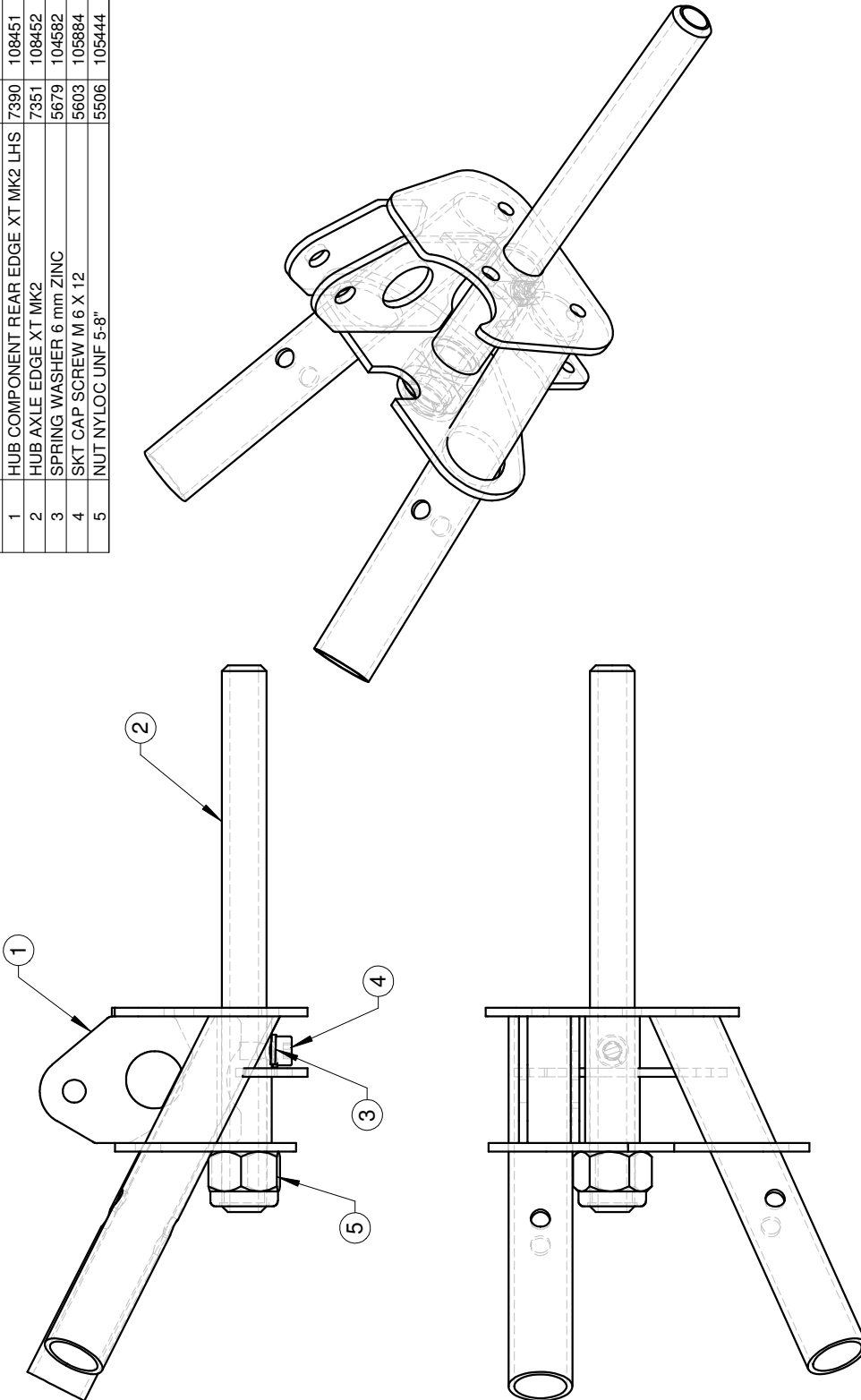
Drawn By	Scale	Date	7398 SHEET 1 of 1
Simon	1:8	05-04-07	

AirBorne
AUSTRALIA

UPDATE G-UP FORMS WITH REV CHANGE
 PART NO. 108445 - 0
 LAST ACCESSED: Wednesday, 4 July 2007
 ALL DIMENSIONS IN MILLIMETERS UNLESS STATED OTHERWISE

Rev	AMENDMENTS	Date

ITEM NO.	NAME	DWG	PART NO.	QTY.
1	HUB COMPONENT REAR EDGE XT MK2 LHS	7390	108451	1
2	HUB AXLE EDGE XT MK2	7351	108452	1
3	SPRING WASHER 6 mm ZINC	5679	104582	1
4	SKT CAP SCREW M 6 X 12	5603	105884	1
5	NUT NYLOC UNF 5-8"	5506	105444	1



HUB ASM REAR EDGE XT MK2 LHS

Drawn By	Scale	Date	7392 SHEET 1 of 1
Simon	1:1	04-04-07	



PART NO. 108450

LAST ACCESSED: Monday, 9 July 2007
ALL DIMENSIONS IN MILLIMETERS UNLESS STATED OTHERWISE

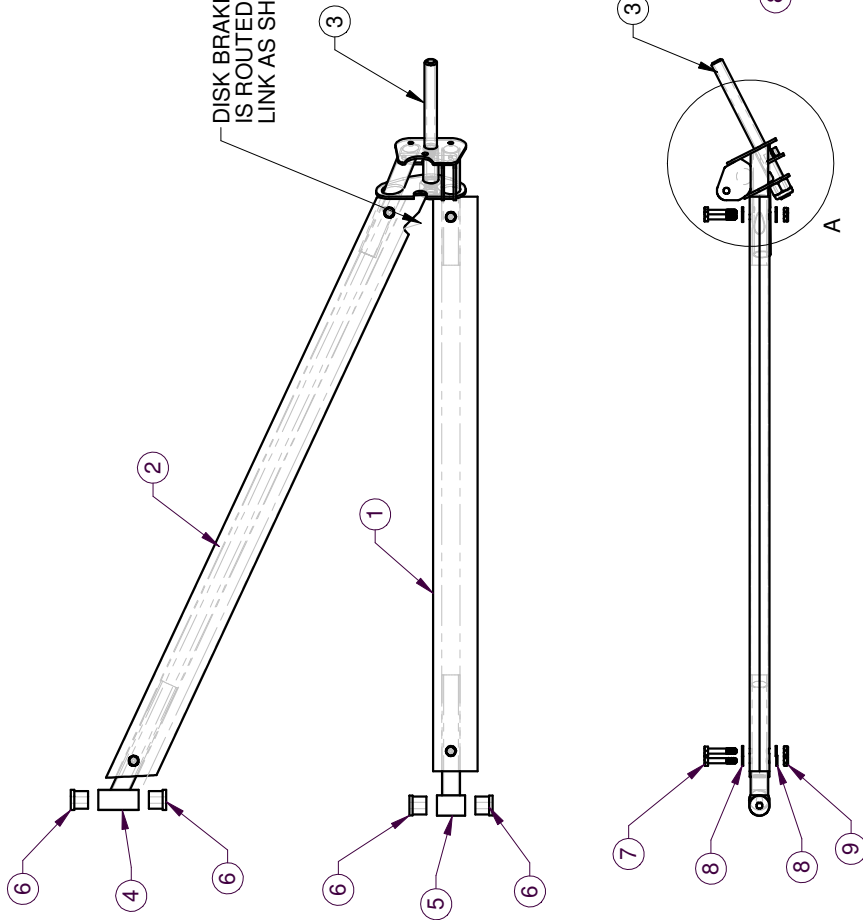
Rev	AMENDMENTS	Date

ITEM NO.	NAME	DWG PART NO.	QTY.
1	REAR STRUT FAIRED EDGE XT MK2 715MM	7374	108448 1
2	REAR STRUT FAIRED DRAG LINK EDGE XT MK2	7373	108449 1
3	HUB ASM REAR EDGE XT MK2 RHS	7391	108453 1
4	PIVOT BRACKET DRAG LINK XT GREY	5414	105175 1
5	PIVOT BRACKET REAR STRUT XT	5415	105174 1
6	PIVOT BRACKET ACETAL BUSH XT	5413	105176 4
7	BOLT AN4-13 a	5450	101333 4
8	WASHER AN4	5540	100042 8
9	NUT NYLOC AN4 HALF	5561	100035 4

DISK BRAKE HYDRAULIC TUBE IS ROUTED THRU THE DRAG LINK AS SHOWN.

ASSEMBLY INSTRUCTIONS:

1. PRESS BUSHES INTO PIVOT HOUSING
2. ATTACH SUB ASSEMBLY TO STRUTS (DO NOT TIGHTEN)
3. ATTACH HUB ASSEMBLY TO STRUT (DO NOT TIGHTEN)
4. SWING ARM ASSEMBLY IS NOW READY TO BE ATTACHED TO THE ENGINE MOUNT ASSEMBLY



LHS SUB-ASSEM #108445
SEE A4-7398

COPIED FROM A4-5636, 05-04-07

UPDATE GJP FORMS WITH REV CHANGE

Rev	AMENDMENTS	Date

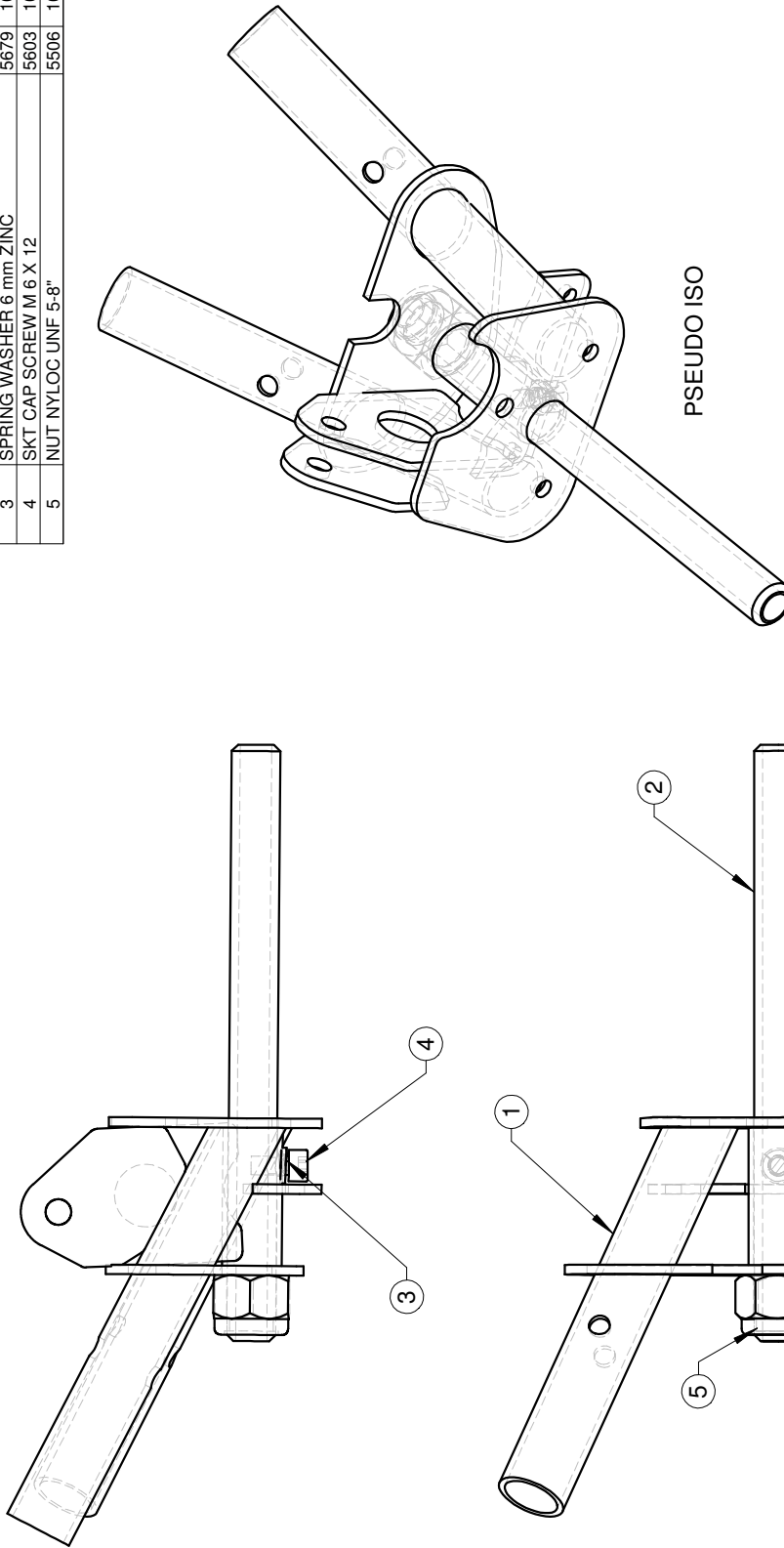
PART NO. 108446 - 0

LAST ACCESSED: Wednesday, 4 July 2007
ALL DIMENSIONS IN MILLIMETERS UNLESS STATED OTHERWISE

REAR SWING ARM SUBASM XT MK2 RHS

Drawn By	Scale	Date	AirBorne AUSTRALIA	7399 SHEET 1 of 1
Simon	1:8	05-04-07		

ITEM NO.	NAME	DWG	PART NO.	QTY.
1	HUB COMPONENT REAR EDGE XT MK2 RHS	7389	108454	1
2	HUB AXLE EDGE XT MK2	7351	108452	1
3	SPRING WASHER 6 mm ZINC	5679	104582	1
4	SKT CAP SCREW M 6 X 12	5603	105884	1
5	NUT NYLOC UNF 5-8"	5506	105444	1



HUB ASM REAR EDGE XT MK2 RHS

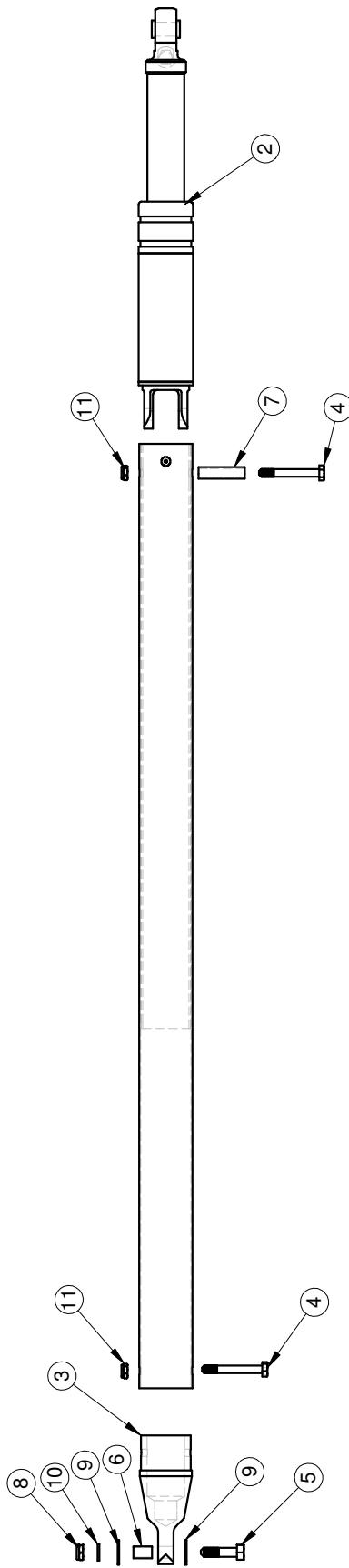
Drawn By	Scale	Date	AirBorne AUSTRALIA	7391 SHEET 1 of 1
Simon	1:2	30-03-07		

PART NO. 108453

LAST ACCESSED: Monday, 9 July 2007
ALL DIMENSIONS IN MILLIMETERS UNLESS STATED OTHERWISE

Rev	AMENDMENTS	Date

ITEM NO.	NAME	DWG	PART NO.	QTY.
1	COMPRESSION STRUT XT MK2 808MM	7375	108455	1
2	SHOCK ABSORBER REAR XT	5351	105282	1
3	COMPRESSION STRUT KNUCKLE XT LOWER	5318	104951	1
4	BOLT AN4-20 a	5450	100006	2
5	BOLT AN5-11	5493	102743	1
6	SPACER SS 8 x1.0x15.8L	5451	102901	1
7	BUSH ALLOY SHOCK MOUNT XT	5453	105102	1
8	NUT NYLOC AN5 HALF	5561	100037	1
9	WASHER SS 10 X 21mm	5540	103458	2
10	WASHER AN5	5540	100043	1
11	NUT NYLOC AN4 HALF	5561	100035	2



THIS DRAWING COPIED FROM A4- 5606 , 05-04-07

COMPRESSION STRUT REAR ASM XT MK2

Drawn By	Scale	Date		7397 SHEET 1 of 1
Simon	1:5	05-04-07		

PART NO. 108447 - 0

LAST ACCESSED: Monday, 9 July 2007

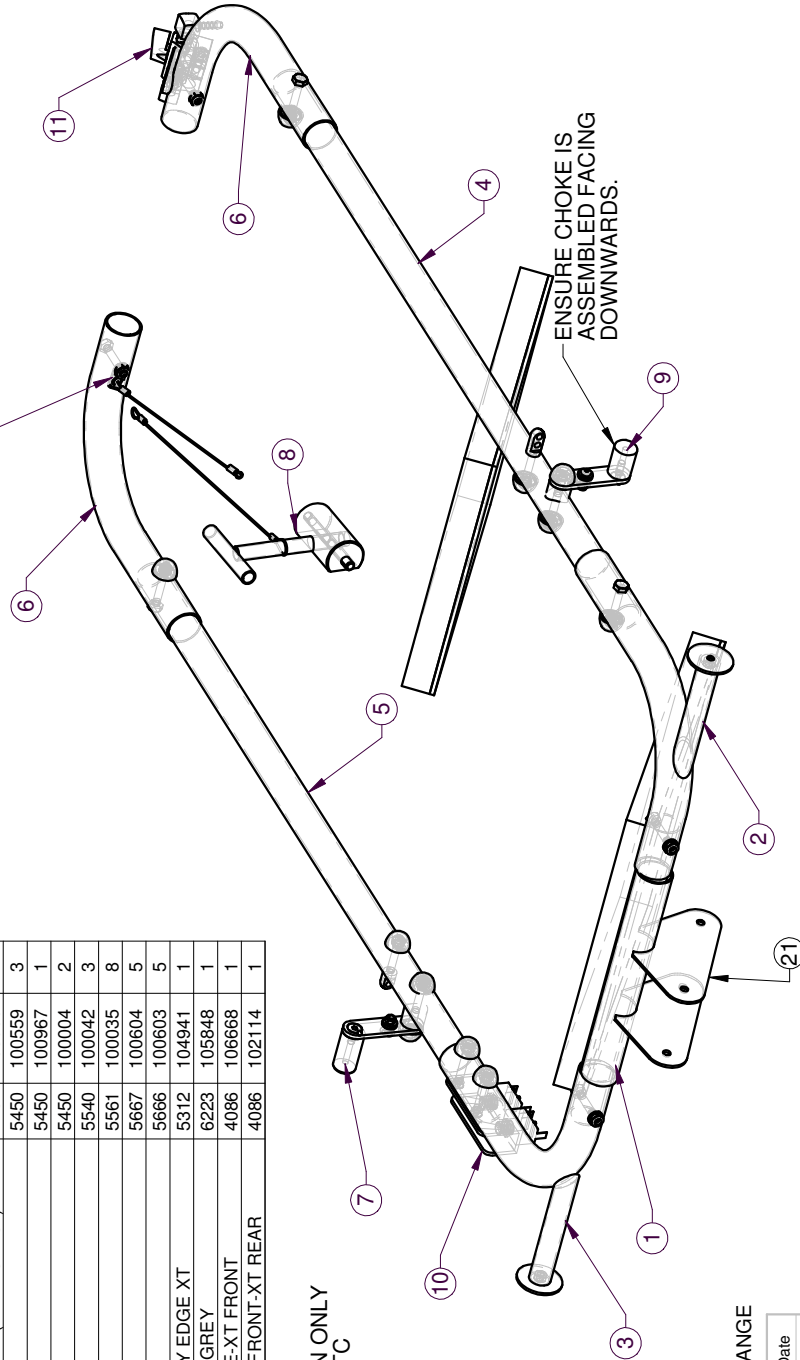
ALL DIMENSIONS IN MILLIMETERS UNLESS STATED OTHERWISE

Rev	AMENDMENTS	Date

ITEM NO.	NAME	DWG	PART NO.	QTY.
1	SEAT TUBE BOTTOM XT ALUMINIUM	5509	105260	1
2	SEAT FRAME CORNER BOTTOM LHS XT	5664	105451	1
3	SEAT FRAME CORNER BOTTOM RHS XT	5665	105452	1
4	SEAT TUBE SIDE SUPPORT XT LHS	5509	105258	1
5	SEAT TUBE SIDE SUPPORT XT RHS	5510	108036	2
6	SEAT FRAME CORNER TOP (GREY)	5676	105458	1
7	THROTTLE LEVER SUB-ASSEM XT	5708	105490	1
8	OVER-CENTER LATCH WITH SAFETY XT	5675	105457	1
9	CHOKE LEVER SUB-ASSEM XT	5670	105455	1
10	IGNITION SWITCH SUB-ASSEMBLY XT	5669	105454	1
11	FUEL TAP BRACKET SUB-ASSEMBLY XT	5230	104726	1
12	EYEBOLT HAND THROTTLE CABLE	4764	103955	1
13	EYE BOLT CHOKE CABLE TYPE 2 (REF TC 4764)	5450	100559	3
14	BOLT AN4-14 a	5450	100967	1
15	BOLT AN4-15 a	5450	100004	2
16	BOLT AN4-16	5540	100042	3
17	WASHER AN4	5561	100035	8
18	NUT NYLOC AN4 HALF	5667	100604	5
19	CAP WASHER BASE CLIP M8	5666	100603	5
20	CAP WASHER COVER BLK M8	5312	104941	1
21	SEAT BASE MOUNT ASSEMBLY EDGE XT	6223	105848	1
22	SEAT SUB-ASSEM XT OPTION GREY	4086	106668	1
23	SEAT BASE 290X290 E-XT FRONT	4086	106668	1
24	SEAT BASE 290X250 E FRONT-XT REAR	4086	102114	1

NOTE:
PART # 105848, THE SEAT SUB ASSEMBLY XT OPTION GREY IS PRESENT IN THIS ASSEMBLY, BUT NOT SHOWN IN THIS DRAWING VIEW.

TANG FOR SAFETY WIRE TO JOIN HERE SEE A4-5708



MAIN COMPONENTS SHOWN ONLY
SEE SHEET 2 FOR BOLTS ETC

UPDATE GJP FORMS WITH REV CHANGE

Rev	AMENDMENTS	Date
2	CHOKE/THROTTLE LEVER UPGRADE - CHOKE INVERTED	4/08/04
3	DCR 2201/12 - WASHER, MOVED PARTS	19-01-06
4	MASTER RESTRUCTURE DCR 2256	27-07-06
5	DCR 2296, CHG TO 108036	17-05-07

PART NO. 105429 -

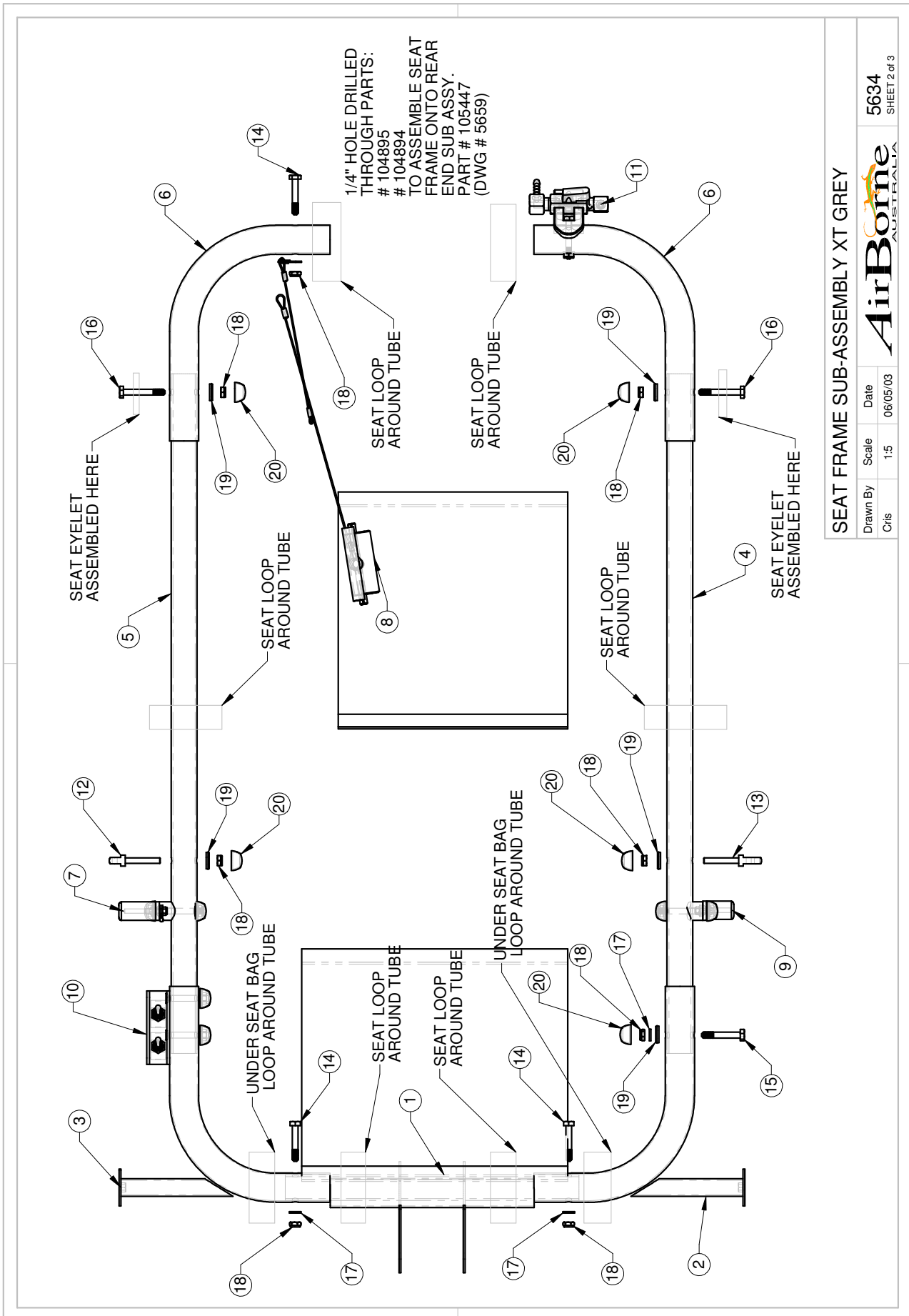
LAST ACCESSED: Monday, 9 July 2007

ALL DIMENSIONS IN MILLIMETERS UNLESS STATED OTHERWISE

SEAT FRAME SUB-ASSEMBLY XT GREY

Drawn By	Scale	Date	5634 SHEET 1 of 3
Cris	1:5.5	22/05/03	

AirBorne
AUSTRALIA

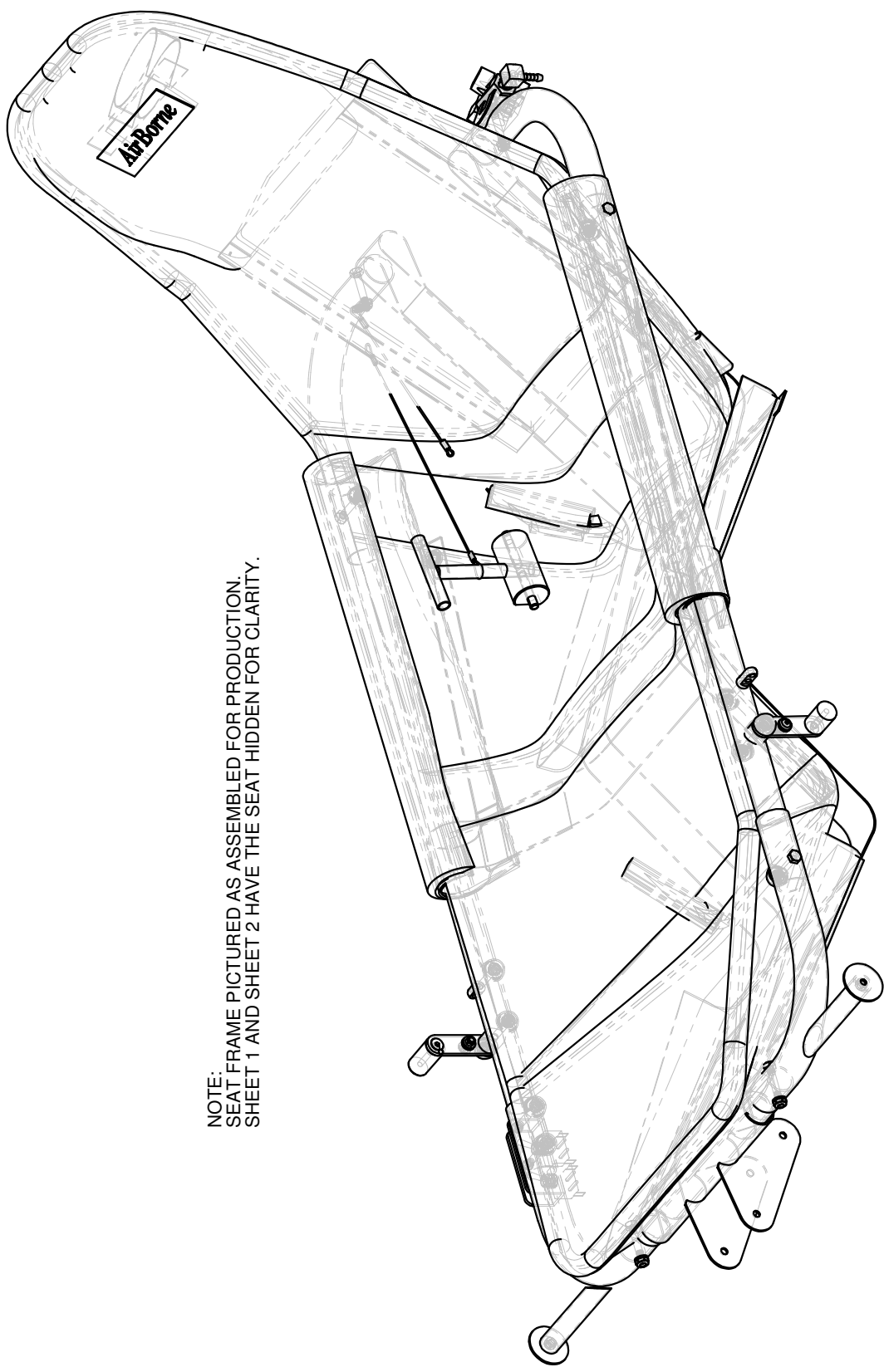


SEAT FRAME SUB-ASSEMBLY XT GREY

5634
 SHEET 2 of 3



Drawn By	Cris	Scale	1:5	Date	06/05/03
----------	------	-------	-----	------	----------



NOTE:
SEAT FRAME PICTURED AS ASSEMBLED FOR PRODUCTION.
SEAT FRAME 1 AND SHEET 2 HAVE THE SEAT HIDDEN FOR CLARITY.

SEAT FRAME SUB-ASSEMBLY XT GREY

Drawn By: Simon
Scale: 1:20
Date: 25-01-06
5634
SHEET 3 of 3

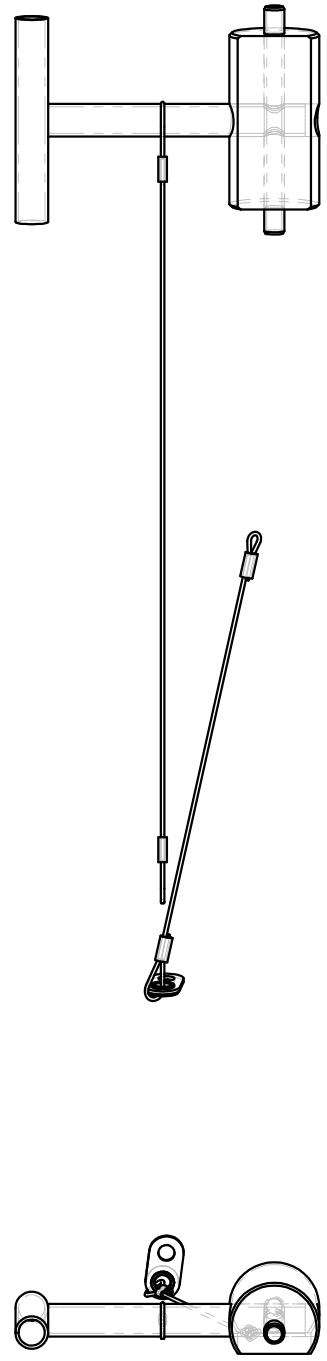
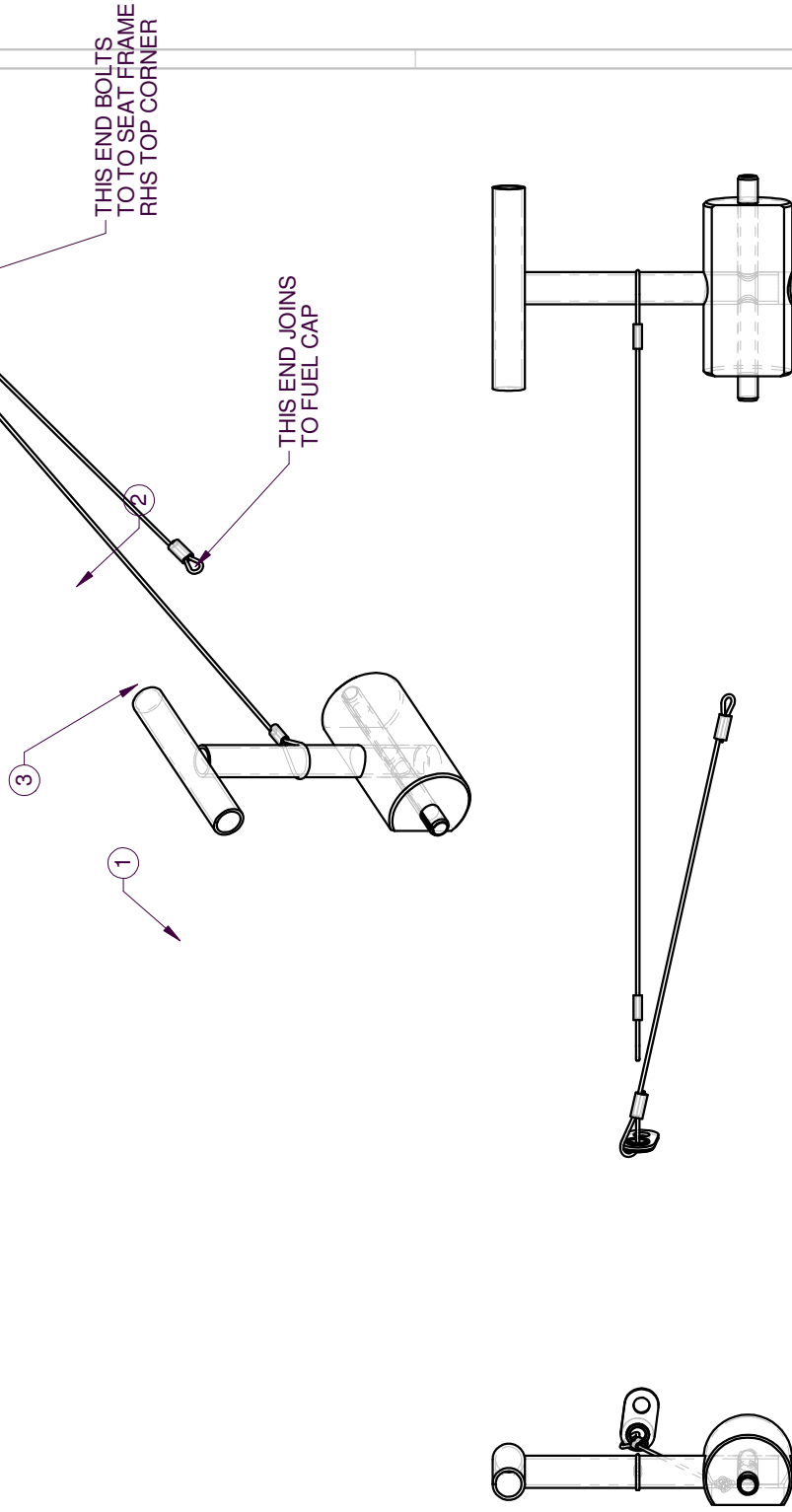


PART NO. 105429

LAST ACCESSED: Monday, 9 July 2007
ALL DIMENSIONS IN MILLIMETERS UNLESS STATED OTHERWISE

Rev	AMENDMENTS	Date

ITEM NO.	NAME	DWG	PART NO.	QTY.
1	OVER-CENTER LATCH ASSEMBLY EDGE XT	5298	104890	1
2	SAFETY WIRE SUB-ASSEM FUEL CAP XT	5702	105483	1
3	SAFETY WIRE SUB-ASSEM O/C LEVER XT	5702	105484	1
4	TANG 1-4" EYELET HOLE	5673	103290	1



UPDATE GJP FORMS WITH REV CHANGE

Rev	AMENDMENTS	Date

PART NO. 105490 -

LAST ACCESSED: Monday, 9 July 2007

ALL DIMENSIONS IN MILLIMETERS UNLESS STATED OTHERWISE

OVER-CENTER LATCH WITH SAFETY XT

Drawn By
Cris

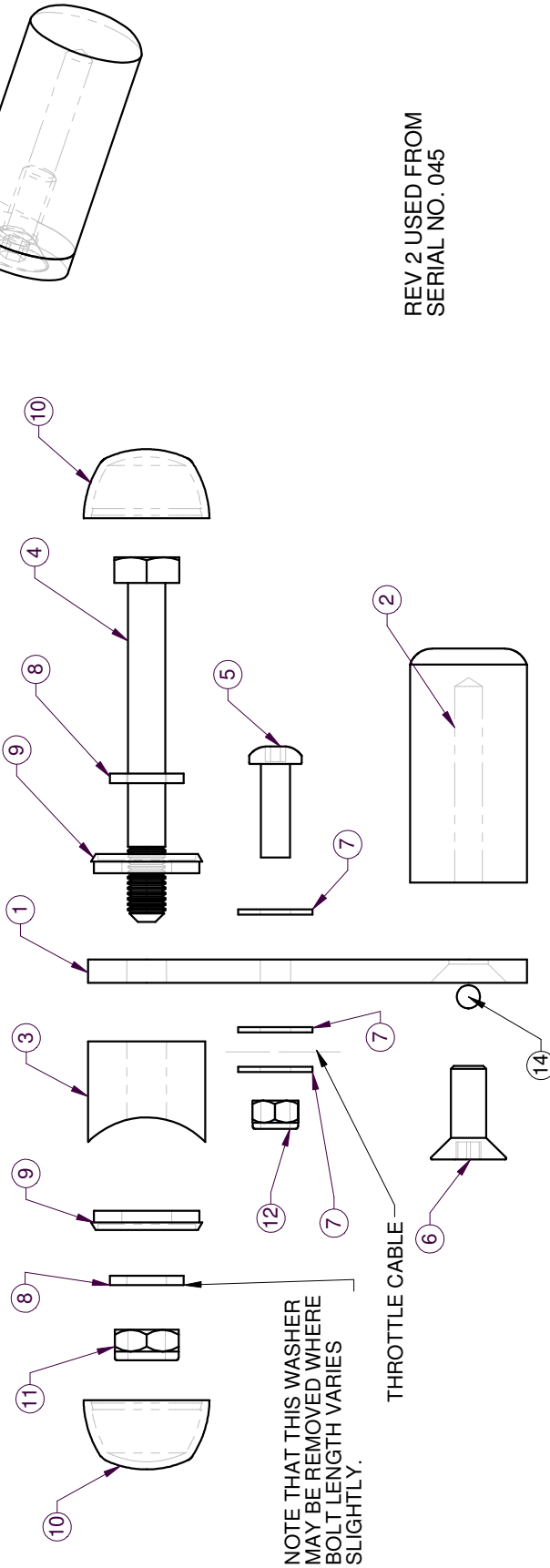
Scale
1:2.5

Date
03/06/03

AirBorne
AUSTRALIA

5708
SHEET 1 of 1

ITEM NO.	NAME	DWG	PART NO.	QTY.
1	HAND TRIMMER LEVER	4410	106476	1
2	KNOB - HAND PLASTIC 40	6433	106531	1
3	SPACER HAND THROTTLE-CHOKE LEVER XT	5674	105456	1
4	BOLT AN4-22 a	5450	100549	1
5	SKT BUTTON SCREW M5 x 16	5677	103182	1
7	WASHER SS 3-16 X 1-2"	5540	100569	3
8	WASHER AN4	5540	100042	2
9	CAP WASHER BASE CLIP M8	5667	100604	2
10	CAP WASHER COVER BLK M8	5666	100603	2
11	NUT NYLOC AN4 HALF	5561	100035	1
12	NUT NYLOC M 5 FULL	5604	101365	1
13	SKT CSK SCREW M6x16 SS	5568	106275	1
14	LOC TITE 243 Blue Med Strength	5637	103706	1



THROTTLE LEVER SUB-ASSEM XT

Drawn By	Scale	Date
Cris	1:1	23/05/03

AirBorne
AUSTRALIA

5676
SHEET 1 of 1

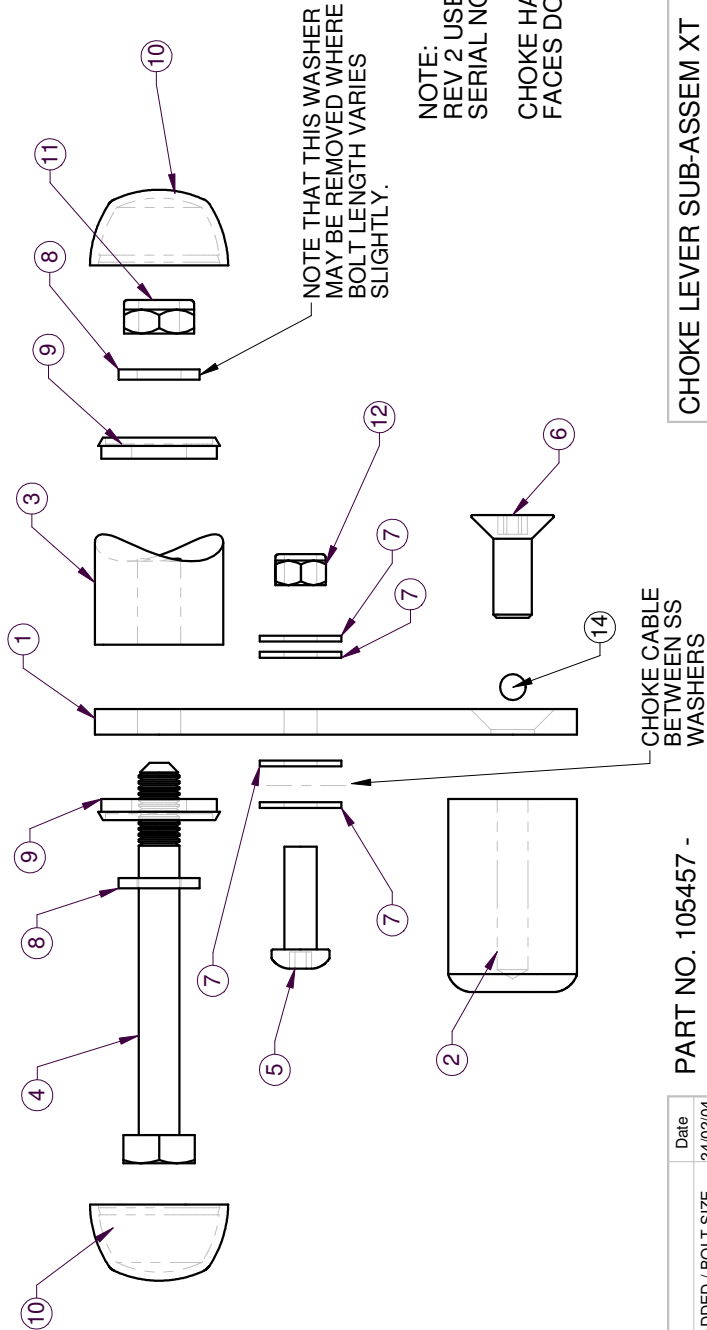
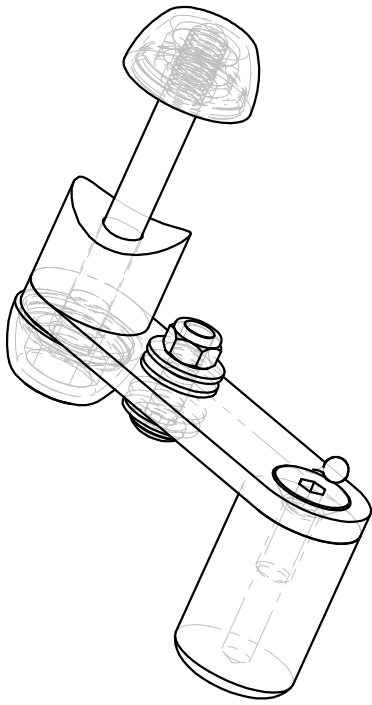
PART NO. 105458 -

LAST ACCESSED: Monday, 9 July 2007

ALL DIMENSIONS IN MILLIMETERS UNLESS STATED OTHERWISE

Rev	AMENDMENTS	Date
1	WASHER NOTE ADDED / BOLT SIZE	24/02/04
2	KNOB DESIGN CHANGE (DCR 2056)	4/08/04

ITEM NO.	NAME	DWG PART NO.	QTY.
1	HAND TRIMMER LEVER	4410 106476	1
2	KNOB - HAND PLASTIC 30	6433 106530	1
3	SPACER HAND THROTTLE-CHOKE LEVER XT	5674 105456	1
4	BOLT AN4-22 a	5450 100549	1
5	SKT BUTTON SCREW M5 x 16	5677 103182	1
7	WASHER SS 3-16 X 1-2"	5540 100569	4
8	WASHER AN4	5540 100042	2
9	CAP WASHER BASE CLIP M8	5667 100604	2
10	CAP WASHER COVER BLK M8	5666 100603	2
11	NUT NYLOC AN4 HALF	5561 100035	1
12	NUT NYLOC M 5 FULL	5604 101365	1
13	SKT CSK SCREW M6x16 SS	5568 106275	1
14	LOCTITE 243 Blue Med Strength	5637 103706	1



CHOKE LEVER SUB-ASSEM XT

Drawn By	Scale	Date
Cris	1:1	23/05/03

AirBorne AUSTRALIA

5675 SHEET 1 of 1

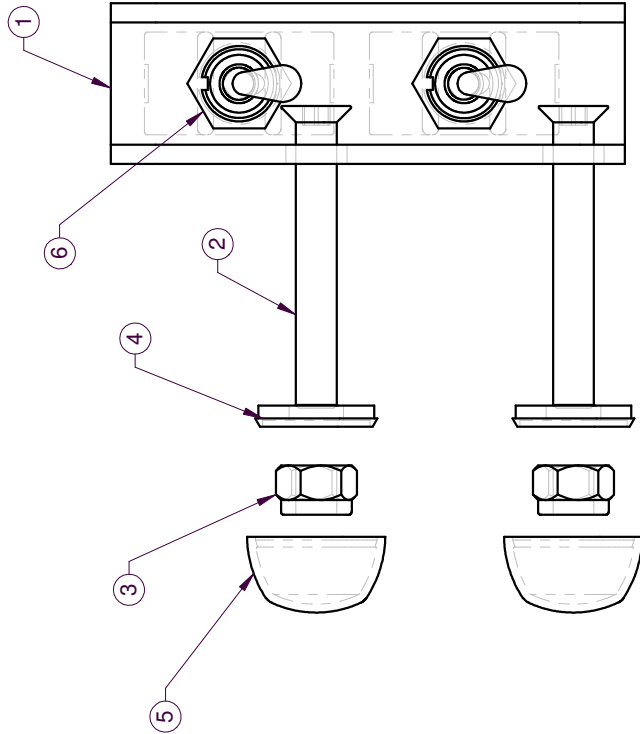
PART NO. 105457 -

LAST ACCESSED: Monday, 9 July 2007

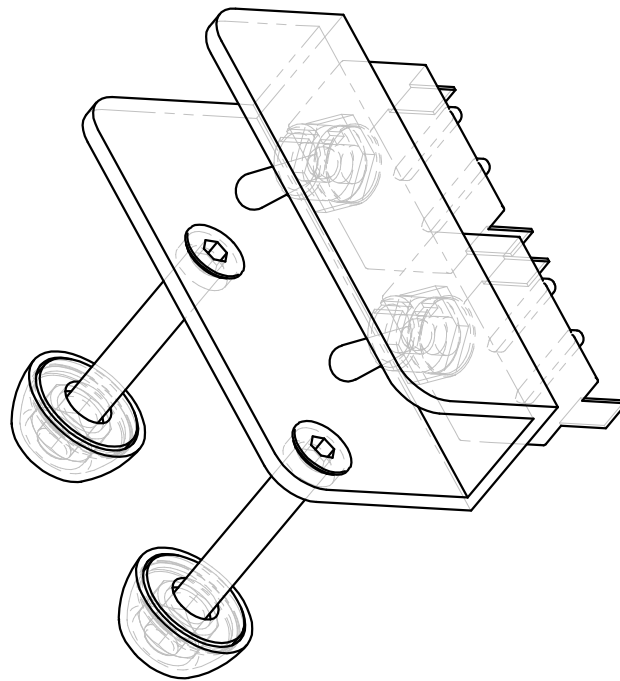
ALL DIMENSIONS IN MILLIMETERS UNLESS STATED OTHERWISE

Rev	AMENDMENTS	Date
1	WASHER NOTE ADDED / BOLT SIZE	24/02/04
2	KNOB DESIGN CHANGE (DCR 2055)	4/08/04

ITEM NO.	NAME	DWG	PART NO.	QTY.
1	CHANNEL IGNITION SWITCH (REF TC A4-4579)	4579	103082	1
2	SKT CSK SCREW BSW 1-4" MOD 47L	5568	106319	2
3	NUT NYLOC BSW 1-4" FULL	5535	101822	2
4	CAP WASHER BASE CLIP M8	5667	100604	2
5	CAP WASHER COVER BLK M8	5666	100603	2
6	SWITCH IGNITION SPST (TOGGLE)	5671	100250	2



NOTE: SWITCHES SHOWN
IN THE ON POSITION



Rev	AMENDMENTS	Date
1	MOD BOLT CHANGED WASHERS REMOVED	1/10/03

PART NO. 105455 -
LAST ACCESSED: Monday, 9 July 2007
ALL DIMENSIONS IN MILLIMETERS UNLESS STATED OTHERWISE

Drawn By	Scale	Date
Cris	1:1	22/05/03

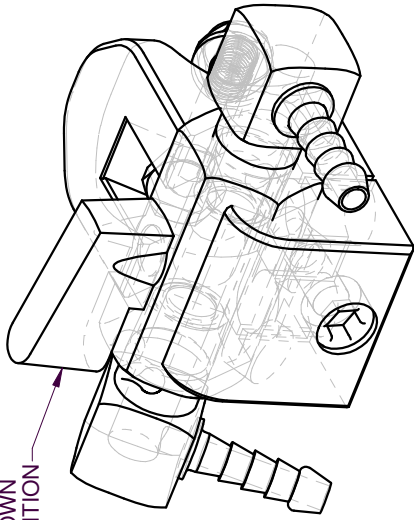
IGNITION SWITCH SUB-ASSEMBLY XT

AirBorne
AUSTRALIA

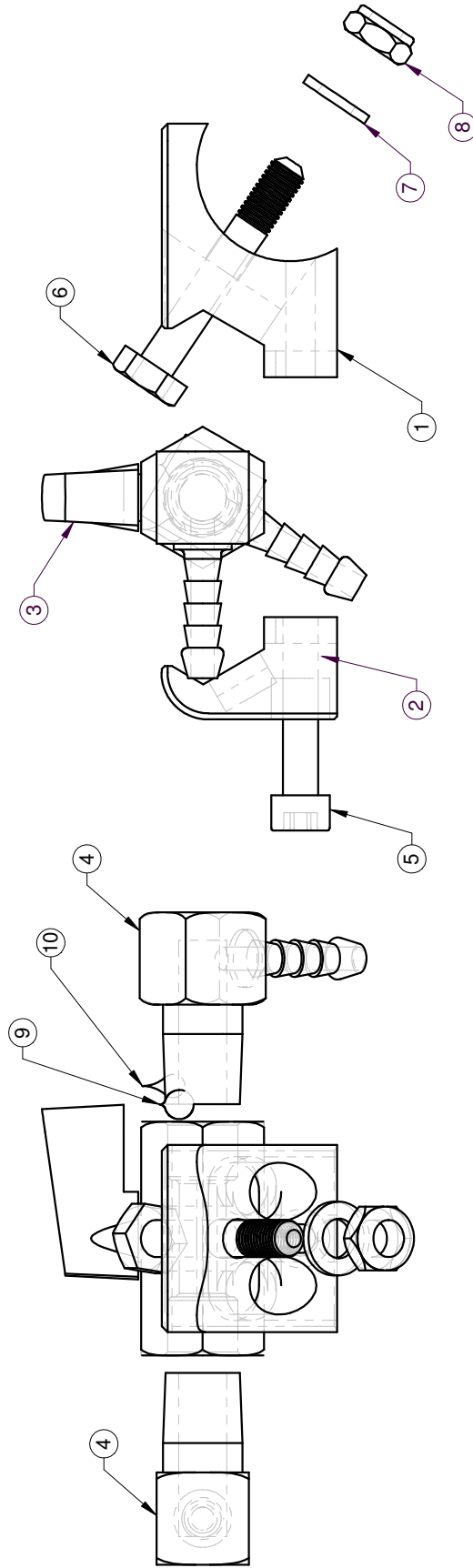
5670
SHEET 1 of 1

ITEM NO.	NAME	DWG	PART NO.	QTY.
1	FUEL TAP BRACKET XT FWD	5447	105240	1
2	FUEL TAP BRACKET XT AFT	5448	105241	1
3	FUEL TAP HEX	5672	105346	1
4	ELBOW MALE 1/4X1/4 BSP	5528	100982	2
5	SKT CAP SCREW SS M 6 X 20	5603	105752	1
6	BOLT AN4-15 a	5450	100967	1
7	WASHER AN4	5540	100042	1
8	NUT NYLOC AN4 HALF	5561	100035	1
9	TAPE THREAD - YELLOW (GAS)	5637	106603	1
10	LOCTITE 567 Thread Sealant	5637	103705	1

NOTE: TAP SHOWN
IN THE ON POSITION



ASSEMBLY INSTRUCTIONS:
 1. APPLY THREAD TAPE TO ELBOWS
 (APPROX 5 TURNS IN THE THREAD DIRECTION,
 START 1.5 THREADS IN FROM THE END)
 2. APPLY A SMALL AMOUNT OF THREAD SEALANT
 3. ALIGN ELBOW ENDS FOR HOSE ATTACHMENT



UPDATE G-JP FORMS WITH REV CHANGE

Rev	AMENDMENTS	Date
1	BOLT CHANGED TO SS & AN4-15	29/07/03
2	THREAD TAPE AND NOTE ADDED	16/08/04

PART NO. 105454 -

LAST ACCESSED: Monday, 9 July 2007

ALL DIMENSIONS IN MILLIMETERS UNLESS STATED OTHERWISE

FUEL TAP BRACKET SUB-ASSEMBLY XT

Drawn By
Cris

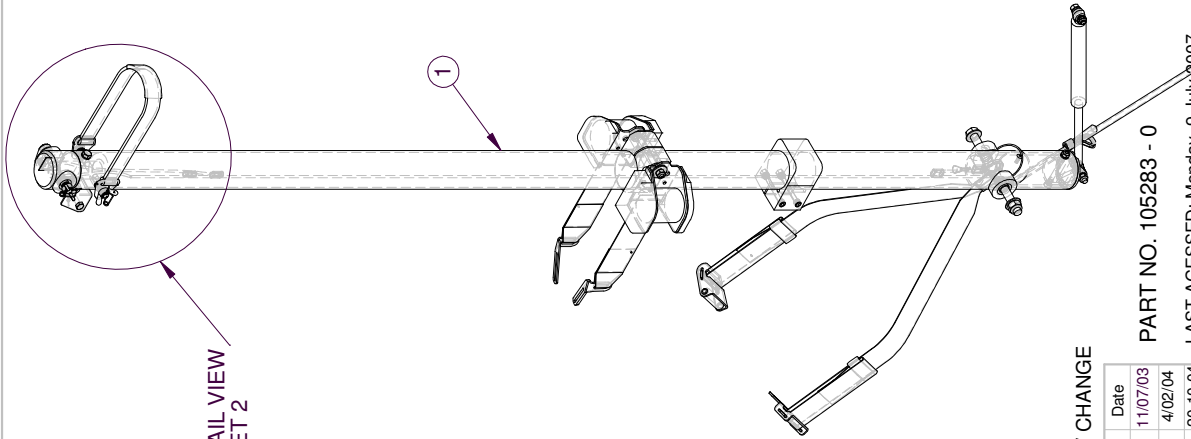
Scale
1:1

Date
22/05/03

AirBorne
AUSTRALIA

5669
SHEET 1 of 1

ITEM NO.	NAME	DWG PART NO.	QTY.
1	MAST TUBE VERT SUB ASSY XT	5588	105321 1
2	BACKUP LOOP - TRIKE	4640	100865 1
3	MAST TOP ADAPTER SUB-ASSEMBLY XT	5792	105602 1
4	BOLT MAST TOP SAFETY EDGE	5555	102579 1
5	BRACKET SS A FRAME TOP DWG A4-3070	3070	107414 1
6	SADDLE 60MM TUBE	7166	100080 1
7	BOLT AN5-31 a	5493	100022 1
8	BOLT AN4-20	5450	105330 1
9	WASHER SS 3-8 X 3-4"	5540	100924 1
10	WASHER AN6	5540	100044 8
11	WASHER AN5	5540	100043 1
12	NUT NYLOC AN6 FULL	5535	100038 1
13	NUT NYLOC AN5 FULL	5535	100036 1
14	WASHER SS SQAURE 34X50 DWG A4-3047	3047	107417 1
15	WINGNUT AN6	5534	101065 1
16	WINGNUT AN4	5534	102472 1
17	SAFETY PIN	5545	100920 2
18	HEART BOLT 35 ASSEMBLY	6559	106671 1
19	STRAP MAST TIE DOWN XT	6593	106785 1
20	SEAT BELT LAP REAR XT SUB-ASSEM	5647	105409 1



FOR DETAIL VIEW
SEE SHEET 2

UPDATE GJP FORMS WITH REV CHANGE

Rev	AMENDMENTS	Date
1	MAST ADAPTER SUB-ASSEM ADDED	11/07/03
2	BOLT AND BOLT DIRECTION CHANGE	4/02/04
3	ADDED HEART BOLT ASSY DCR 2027	20-10-04
4	DCR 2288; ADD 105409 FROM 6225	03-10-06

PART NO. 105283 - 0

LAST ACCESSED: Monday, 9 July 2007

ALL DIMENSIONS IN MILLIMETERS UNLESS STATED OTHERWISE

MAST ASSEMBLY EDGE XT

Drawn By	Scale	Date
Simon	1:12	03/05/03

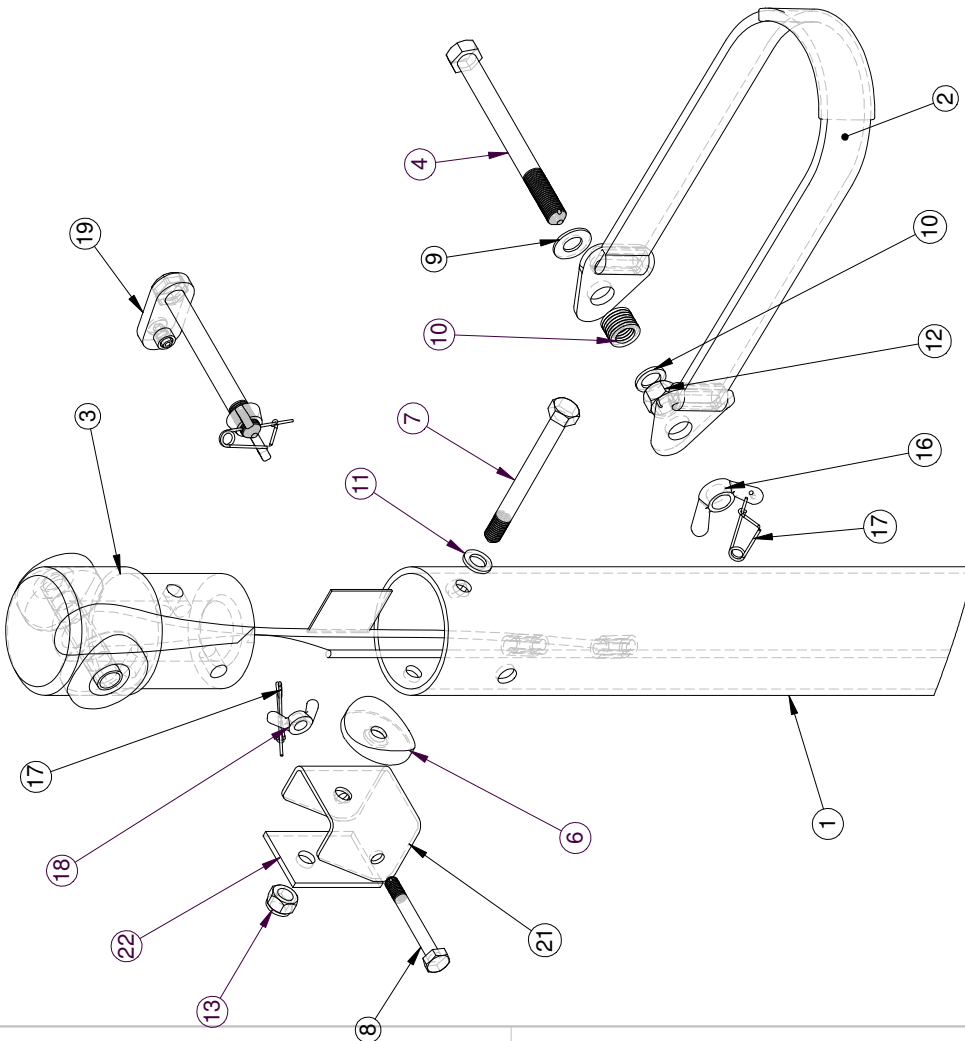
AirBorne
AUSTRALIA

5564

SHEET 1 of 2

ITEM NO.	NAME	DWG	PART NO.	QTY.
1	MAST TUBE VERT SUB ASSY XT	5588	105321	1
2	BACKUP LOOP - TRIKE	4640	100865	1
3	MAST TOP ADAPTER SUB-ASSEMBLY XT	5792	105602	1
4	BOLT MAST TOP SAFETY EDGE	5555	102579	1
6	SADDLE 60MM TUBE	7166	100080	1
7	BOLT AN5-31 a	5493	100022	1
8	BOLT AN4-20	5450	105330	1
9	WASHER SS 3-8 X 3-4"	5540	100924	1
10	WASHER AN6	5540	100044	8
11	WASHER AN5	5540	100043	1
12	NUT NYLOC AN6 FULL	5535	100038	1
13	NUT NYLOC AN5 FULL	5535	100036	1
16	WINGNUT AN6	5534	101065	1
17	SAFETY PIN	5545	100920	2
18	WINGNUT AN4	5534	102472	1
19	HEART BOLT 35 ASSEMBLY	6559	106671	1
20	STRAP MAST TIE DOWN XT	6593	106785	1
21	BRACKET SS A FRAME TOP DWG A4-3070	3070	107414	1
22	WASHER SS SQAURE 34X50 DWG A4-3070	3070	107417	1
23	SEAT BELT LAP REAR XT SUB-ASSEM	5647	105409	1

ITEM # 2 "BACKUP LOOP TRIKE" IS ASSEMBLED WITH THE MAST BETWEEN THE TWO SETS OF AN6 WASHERS (ITEM 10). WHERE THERE ARE SEVEN ON THE RHS AND 1 ON THE LHS.



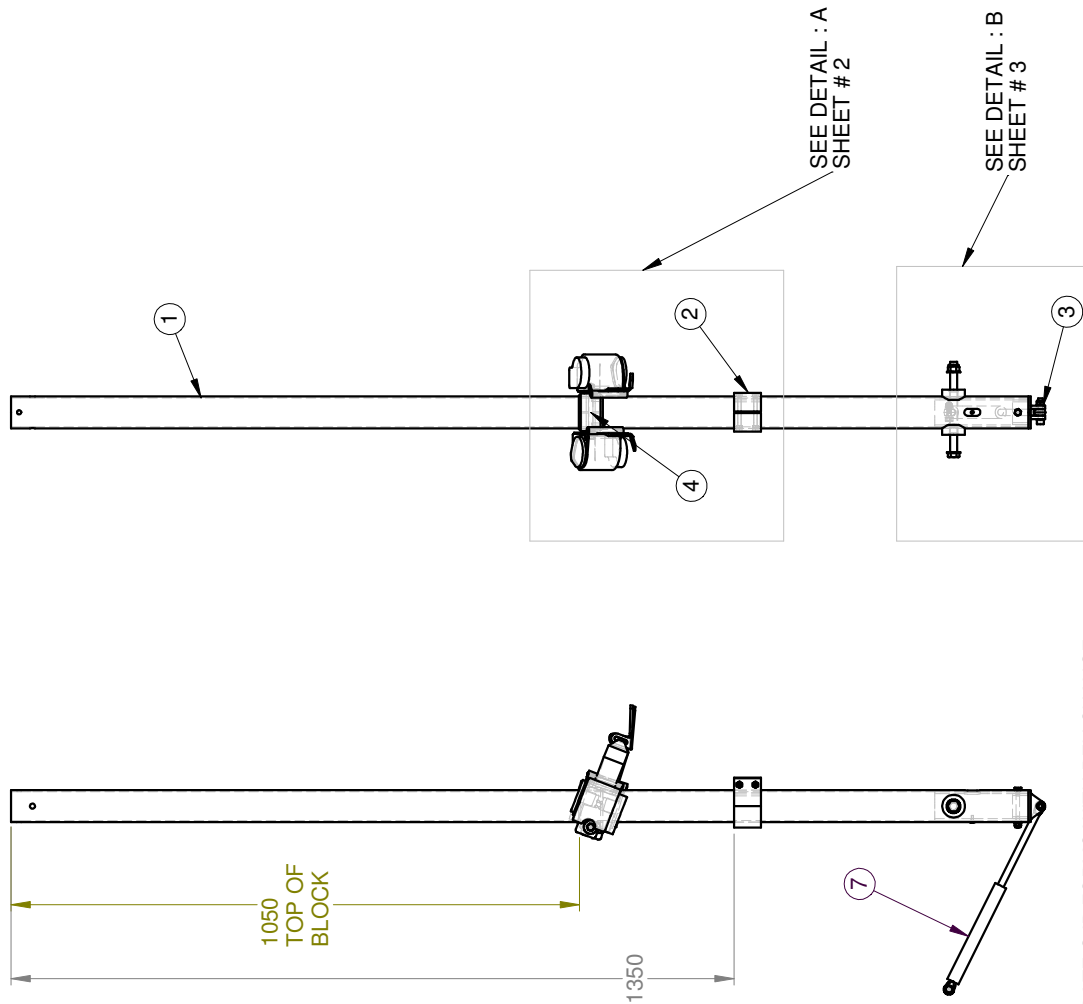
MAST ASSEMBLY EDGE XT			
Drawn By	Scale	Date	
Simon	1:12	05/05/03	
			5564 SHEET 2 of 2

Rev	AMENDMENTS	Date
	SEE SHEET 1	

PART NO. 105283
LAST ACCESSED: Monday, 9 July 2007
ALL DIMENSIONS IN MILLIMETERS UNLESS STATED OTHERWISE

ITEM NO.	NAME	DWG	PART NO.	QTY.
1	MAST TUBE EDGE XT SLEEVED	5232	104728	1
2	MAST CLAMP BLOCK XT (PLASTIC)	5270	104888	1
3	MAST BOTTOM KNUCKLE XT	5262	104886	1
4	SHOULDER BELT MAST BLOCK XT	5380	105129	1
5	INERTIA REEL RETRACTOR XT TYPE 2 LHS	7474	108704	1
6	INERTIA REEL RETRACTOR XT TYPE 2 RHS	7474	108698	1
7	GAS STRUT 200MM BODY	5607	105149	1
8	MAST SADDLE EDGE XT	5303	104911	2
9	BUSH MAST PIVOT EDGE XT	2088	105425	1
10	BOLT 8.8 GR UNC 1/2X170MM MODIFIED	5661	105327	1
11	BOLT AN5-36 a	5493	100026	1
12	BOLT AN5-11	5493	102743	1
13	BOLT AN4-26 a	5450	100009	1
14	SKT CAP SCREW M 8 X 40	5603	101519	1
15	SKT CAP SCREW SS M 6 X 60	5603	101744	2
16	WASHER NYLON M8 XOD	5540	100820	4
17	WASHER SS 5-16 X 1" X 16g	5540	100714	2
18	WASHER SS 1-2 X 1" 304 FLAT	5540	100093	2
19	WASHER AN5	5540	100043	4
20	WASHER AN4	5540	100042	1
21	NUT NYLOC M 8 FULL	5604	100915	1
22	NUT NYLOC M 6	5604	102132	2
23	NUT NYLOC AN5 FULL	5535	100036	1
24	NUT NYLOC AN5 HALF	5561	100037	1
25	NUT NYLOC AN4 FULL	5535	100034	1
26	NUT NYLOC UNC 1-2" FULL	5535	101174	1

ITEMS 1 THRU 7 ARE THE MAJOR ITEMS IN THE ASSEMBLY, SEE EXPLODED ASSYS FOR BOLTS, NUTS, WASHERS AND BUSHES.



UPDATE GJP FORMS WITH REV CHANGE

Rev	AMENDMENTS	Date
1	PARTS UPDATE	23/02/04
2	DCR 2311 - INERTIA TYPE 2	25-07-07

PART NO. 105321 - 0

LAST ACCESSED: Wednesday, 25 July 2007

ALL DIMENSIONS IN MILLIMETERS UNLESS STATED OTHERWISE

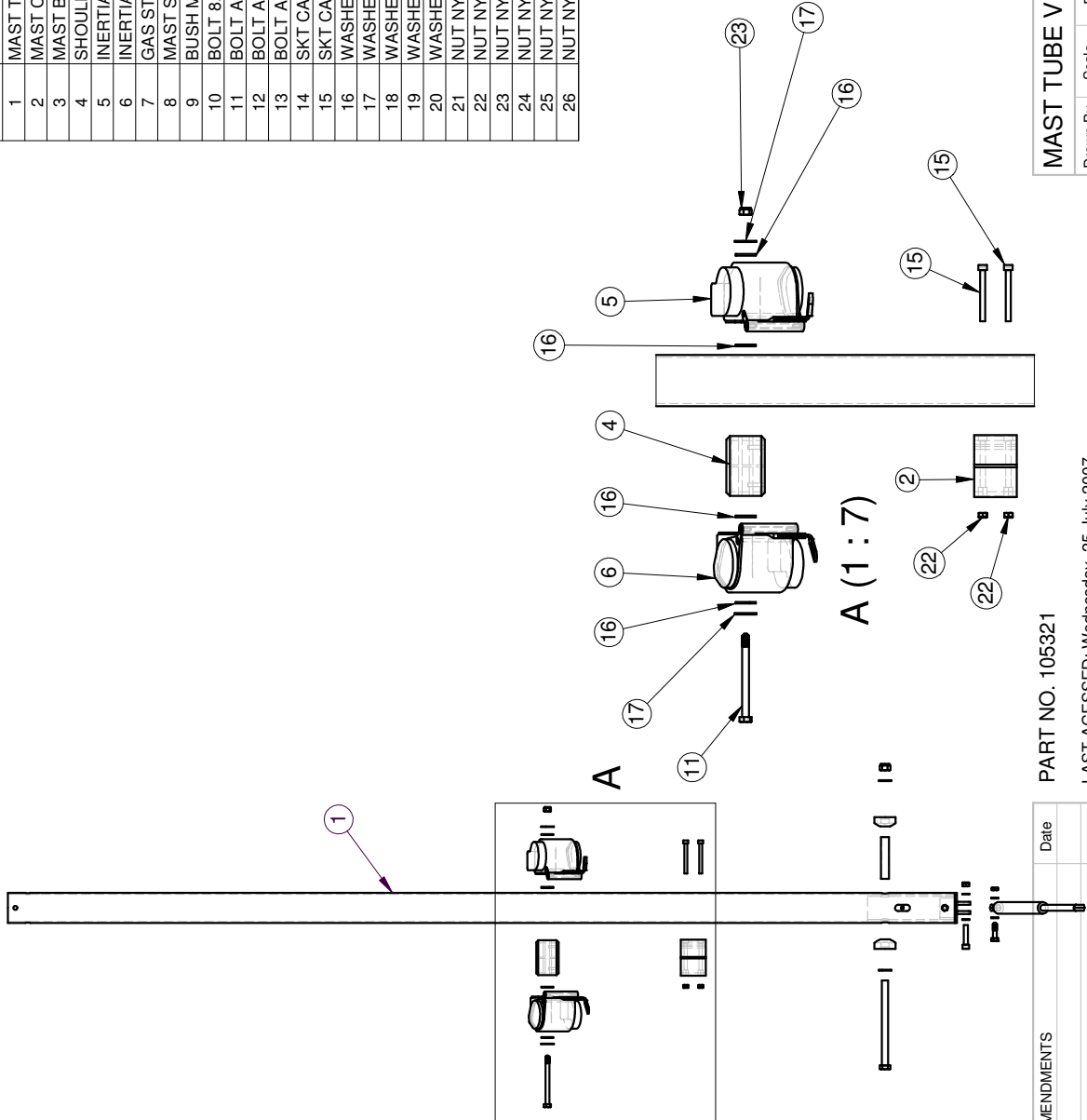
MAST TUBE VERT SUB ASSY XT

Drawn By	Scale	Date
Simon	1:12	09/05/03



5588
SHEET 1 of 3

ITEM NO.	NAME	DWG PART NO.	QTY.
1	MAST TUBE EDGE XT SLEEVED	5232	104728 1
2	MAST CLAMP BLOCK XT (PLASTIC)	5270	104888 1
3	MAST BOTTOM KNUCKLE XT	5262	104886 1
4	SHOULDER BELT MAST BLOCK XT	5380	105129 1
5	INERTIA REEL RETRACTOR XT TYPE 2 LHS	7474	108704 1
6	INERTIA REEL RETRACTOR XT TYPE 2 RHS	7474	108698 1
7	GAS STRUT 200MM BODY	5607	105149 1
8	MAST SADDLE EDGE XT	5303	104911 2
9	BUSH MAST PIVOT EDGE XT	2088	105425 1
10	BOLT 8.8 GR UNC 1/2X170MM MODIFIED	5661	105327 1
11	BOLT AN5-36 a	5493	100026 1
12	BOLT AN5-11	5493	102743 1
13	BOLT AN4-26 a	5450	100009 1
14	SKT CAP SCREW M 8 X 40	5603	101519 1
15	SKT CAP SCREW SS M 6 X 60	5603	101744 2
16	WASHER NYLON M8 XOD	5540	100820 4
17	WASHER SS 5-16 X 1" X 16g	5540	100714 2
18	WASHER SS 1-2 X 1" 304 FLAT	5540	100093 2
19	WASHER AN5	5540	100043 4
20	WASHER AN4	5540	100042 1
21	NUT NYLOC M 8 FULL	5604	100915 1
22	NUT NYLOC M 6	5604	102132 2
23	NUT NYLOC AN5 FULL	5535	100036 1
24	NUT NYLOC AN5 HALF	5561	100037 1
25	NUT NYLOC AN4 FULL	5535	100034 1
26	NUT NYLOC UNC 1-2" FULL	5535	101174 1



Rev	AMENDMENTS	Date

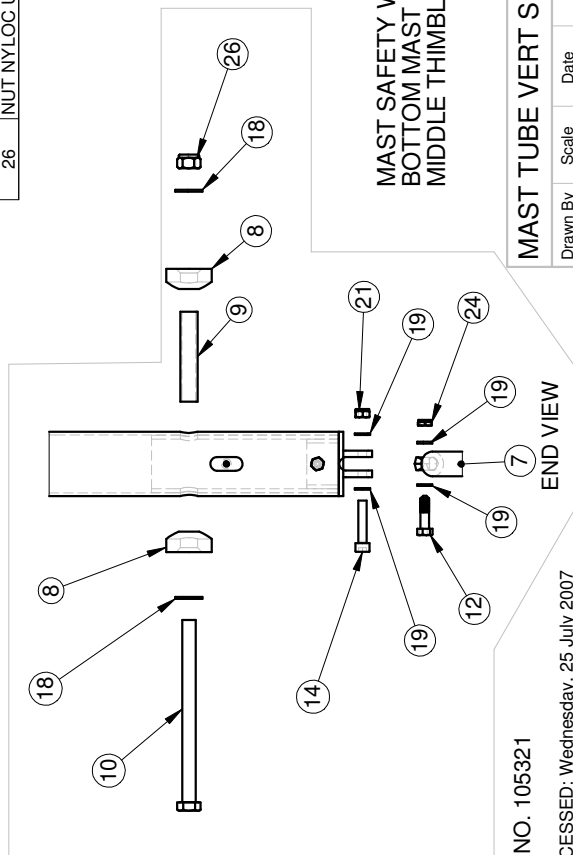
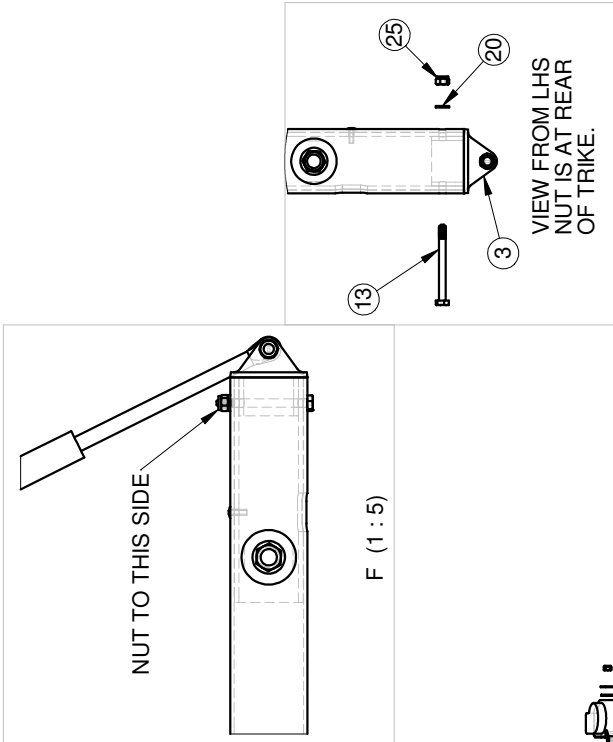
PART NO. 105321
 LAST ACCESSED: Wednesday, 25 July 2007
 ALL DIMENSIONS IN MILLIMETERS UNLESS STATED OTHERWISE

Drawn By	Scale	Date
Simon	1:12	09/05/03



5588
SHEET 2 of 3

ITEM NO.	NAME	DWG PART NO.	QTY.
1	MAST TUBE EDGE XT SLEEVED	5232	1
2	MAST CLAMP BLOCK XT (PLASTIC)	5270	1
3	MAST BOTTOM KNUCKLE XT	5262	1
4	SHOULDER BELT MAST BLOCK XT	5380	1
5	INERTIA REEL RETRACTOR XT TYPE 2 LHS	7474	1
6	INERTIA REEL RETRACTOR XT TYPE 2 RHS	7474	1
7	GAS STRUT 200MM BODY	5607	1
8	MAST SADDLE EDGE XT	5303	1
9	BUSH MAST PIVOT EDGE XT	2088	1
10	BOLT 8.8 GR UNC 1/2X170MM MODIFIED	5661	1
11	BOLT AN5-36 a	5493	1
12	BOLT AN5-11	5493	1
13	BOLT AN4-26 a	5450	1
14	SKT CAP SCREW M 8 X 40	5603	1
15	SKT CAP SCREW SS M 6 X 60	5603	1
16	WASHER NYLON M8 XOD	5540	1
17	WASHER SS 5-16 X 1" X 16g	5540	1
18	WASHER SS 1-2 X 1" 304 FLAT	5540	1
19	WASHER AN5	5540	1
20	WASHER AN4	5540	1
21	NUT NYLOC M 8 FULL	5604	1
22	NUT NYLOC M 6	5604	1
23	NUT NYLOC AN5 FULL	5604	1
24	NUT NYLOC AN5 HALF	5535	1
25	NUT NYLOC AN4 FULL	5535	1
26	NUT NYLOC UNC 1-2" FULL	5535	1



MAST SAFETY WIRE GOES THRU MAST . SEE 5564
BOTTOM MAST BUSH GOES THRU THE WIRES
MIDDLE THIMBLE.

Rev AMENDMENTS

Rev	AMENDMENTS	Date

PART NO. 105321
LAST ACCESSED: Wednesday, 25 July 2007
ALL DIMENSIONS IN MILLIMETERS UNLESS STATED OTHERWISE

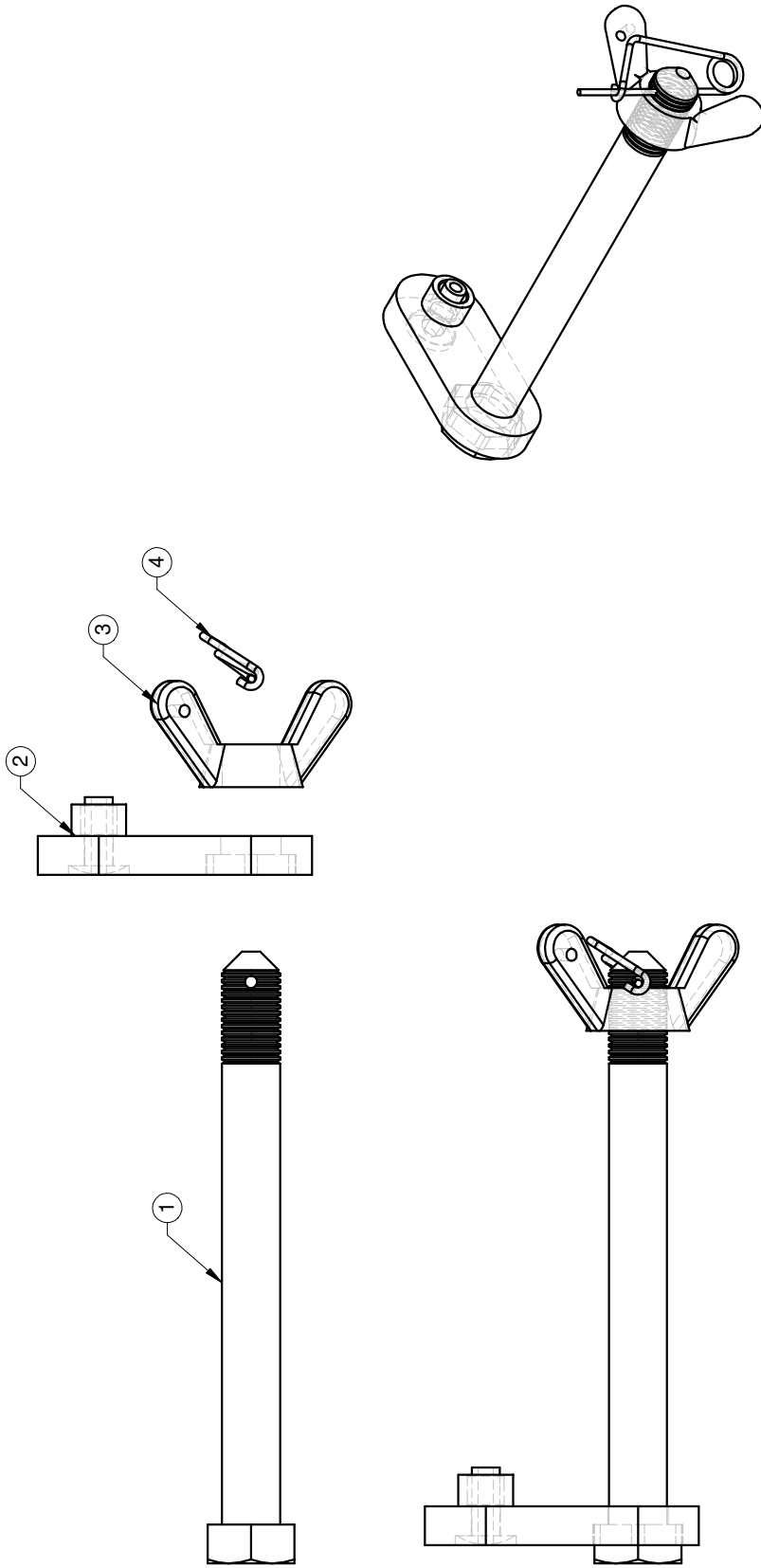
Drawn By Simon
Scale 1:12
Date 09/05/03

AirBorne
AUSTRALIA

5588
SHEET 3 of 3

MAST TUBE VERT SUB ASSY XT

ITEM NO.	NAME	DWG	PART NO.	QTY.
1	BOLT AN6-35	5494	106347	1
2	RETAINER ASSEMBLY BOLT HEAD	5218	104739	1
3	WINGNUT AN6	5534	101065	1
4	SAFETY PIN	5545	100920	1



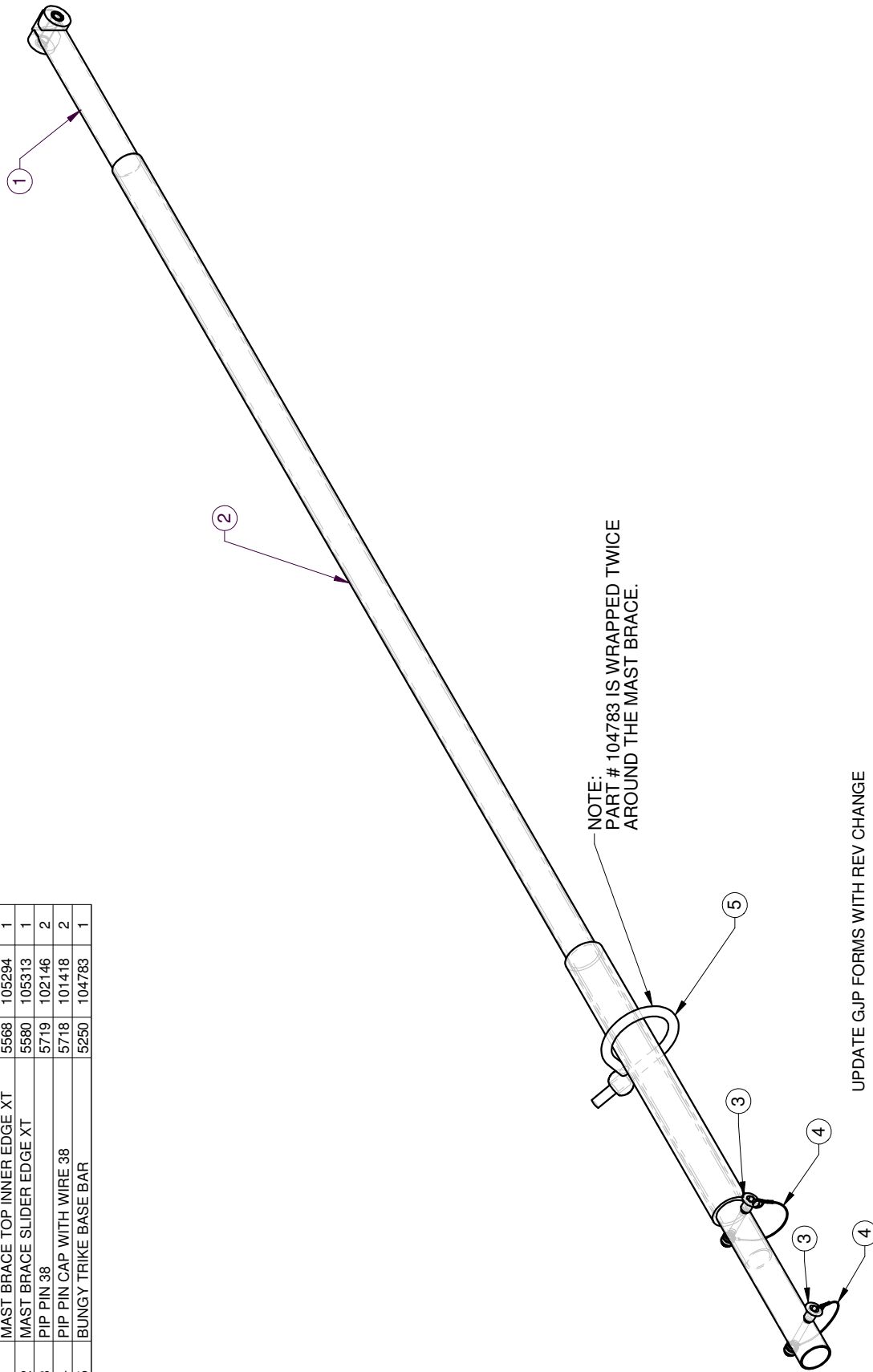
HEART BOLT 35 ASSEMBLY			
Drawn By	Scale	Date	6559
Simon	1:1	24-05-04	SHEET 1 of 1



Part No. 106671 -
 LAST ACCESSED: Monday, 9 July 2007
 ALL DIMENSIONS IN MILLIMETERS UNLESS STATED OTHERWISE

Rev	AMENDMENTS	Date
1	CREATED ASSY, DCR 2025	20-10-04

ITEM NO.	NAME	DWG	PART NO.	QTY.
1	MAST BRACE TOP INNER EDGE XT	5568	105294	1
2	MAST BRACE SLIDER EDGE XT	5580	105313	1
3	PIP PIN 38	5719	102146	2
4	PIP PIN CAP WITH WIRE 38	5718	101418	2
5	BUNGY TRIKE BASE BAR	5250	104783	1



UPDATE G-JIP FORMS WITH REV CHANGE

Rev	AMENDMENTS	Date
1	DCR 2295, REFLECT MANUFACTURE	17-05-07

PART NO. 105499 -

LAST ACCESSED: Monday, 9 July 2007

ALL DIMENSIONS IN MILLIMETERS UNLESS STATED OTHERWISE

FRONT POLE SUB-ASSEMBLY XT

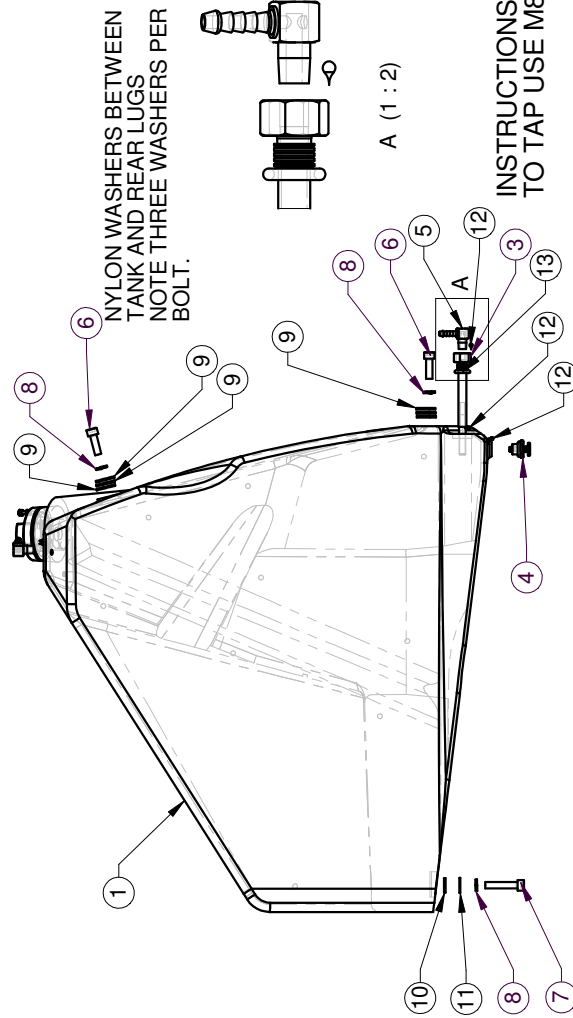
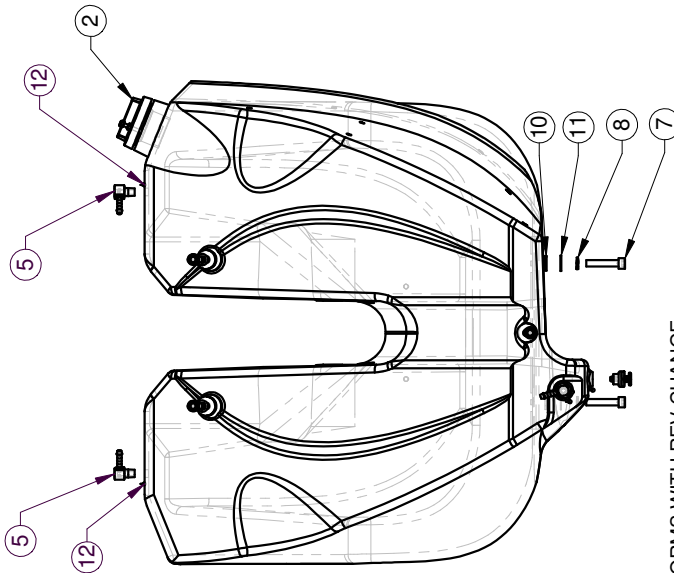
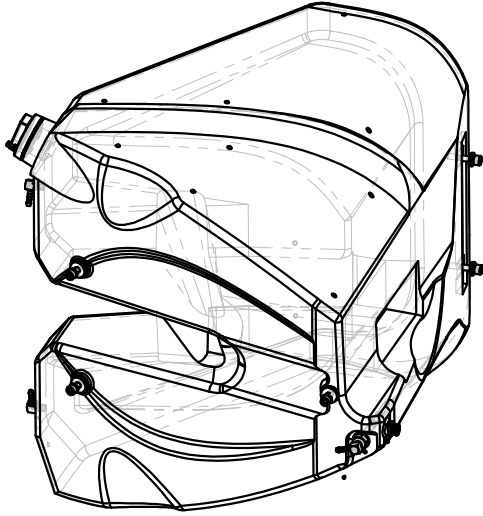
Drawn By	Scale	Date
Cris	1:5	03/06/03

AirBorne
AUSTRALIA

5712
SHEET 1 of 2

ITEM NO.	NAME	DWG	PART NO.	QTY.
1	FUEL TANK POLYETHYLENE EDGE XT	5288	104910	1
2	FUEL CAP SUB-ASSEMBLY XT	5700	105479	1
3	FUEL TANK FILTER-OUTLET ASSEM XT	5931	105753	1
4	DRAIN COCK ASSEM XT	5705	105513	1
5	ELBOW TANK/SIGHT 1/8" BSP BRASS	5528	100876	3
6	SKT CAP SCREW M 8 X 25	5603	100980	3
7	SKT CAP SCREW M 8 X 40	5603	101519	2
8	SPRING WASHER 8 mm ZINC	5679	101366	5
9	WASHER NYLON M8 XOD	5540	100820	9
10	WASHER NYLON M8 STD	5540	100595	2
11	WASHER SS 5-16 X 3-4"	5540	102332	2
12	LOCTITE 567 Thread Sealant	5637	103705	5
13	O-RING FUEL TANK	5932	103181	1

MASS OF TANK AND FUEL
SEE ENG RPT 03/61/DS



NYLON WASHERS BETWEEN
TANK AND REAR LUGS
NOTE THREE WASHERS PER
BOLT.

A (1:2)

INSTRUCTIONS:
TO TAP USE M8

UPDATE GJP FORMS WITH REV CHANGE

Rev	AMENDMENTS	Date
1	WASHERS AND BOLTS CHANGE	22/03/04
2	DCR 2209, MOVE PARTS FROM 5931	24-01-06

PART NO. 105729 -

LAST ACCESSED: Monday, 9 July 2007
ALL DIMENSIONS IN MILLIMETERS UNLESS STATED OTHERWISE

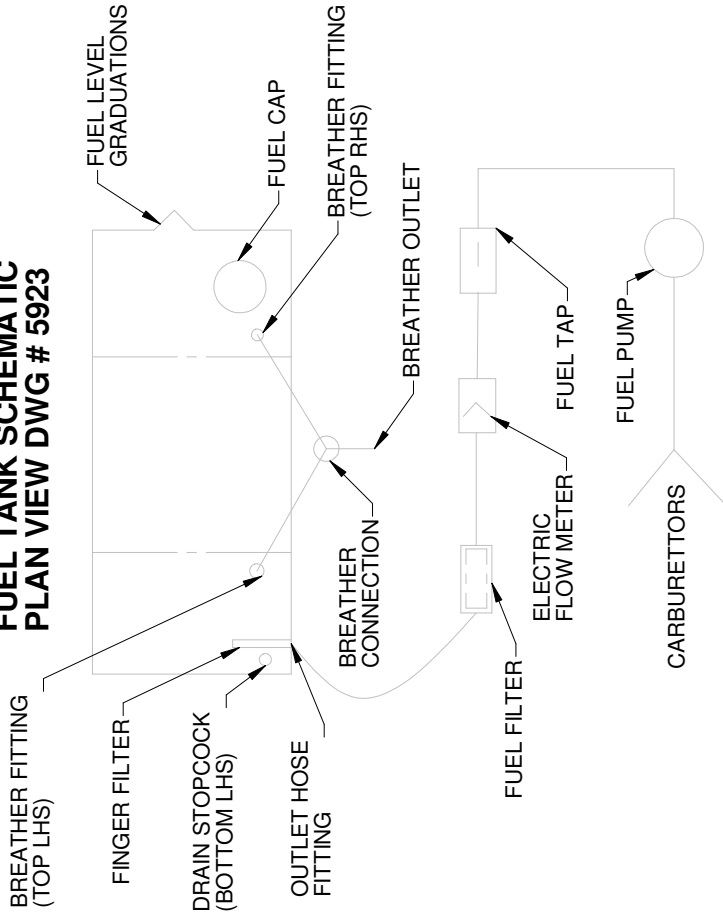
FUEL TANK SUB-ASSEM XT

Drawn By	Scale	Date
Cris	1:8	30/07/03

5923
SHEET 1 of 2

AirBorne
AUSTRALIA

**FUEL TANK SCHEMATIC
PLAN VIEW DWG # 5923**



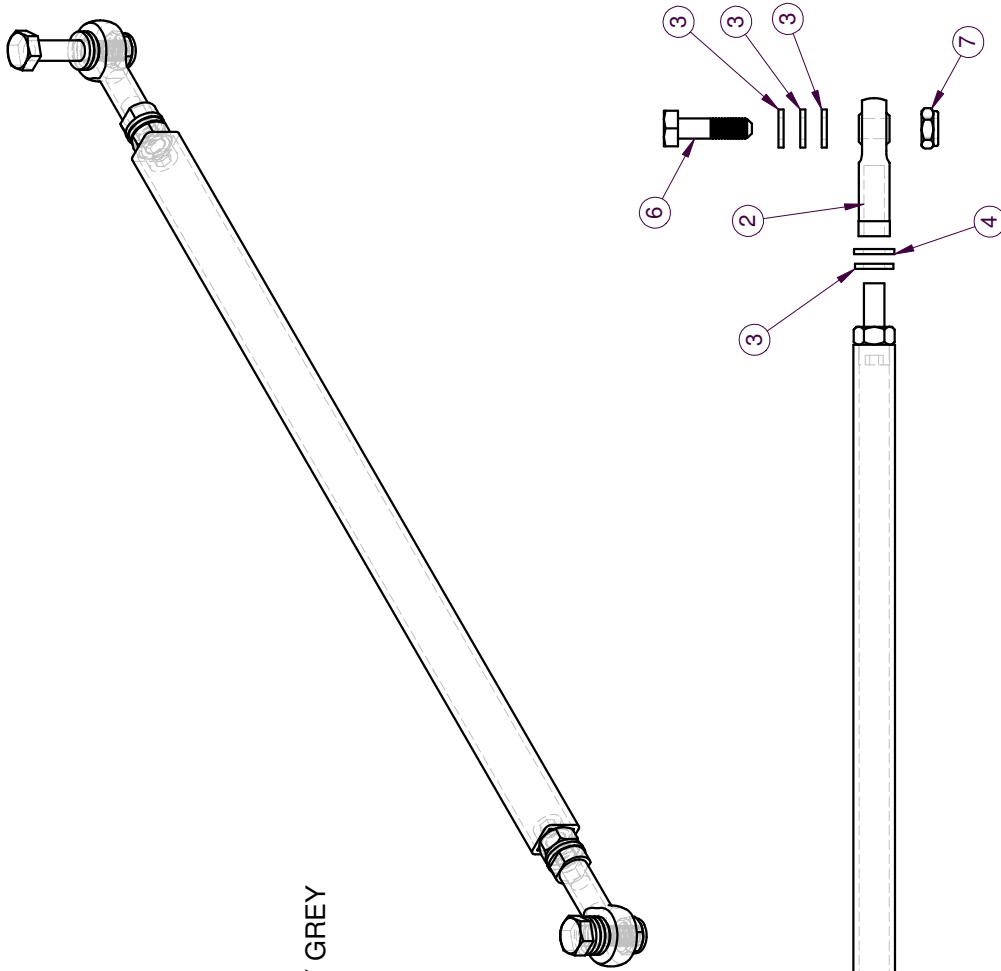
Drawn By	Simon	Scale	1:8	Date	02/08/03
AirBorne AUSTRALIA					5923 SHEET 2 of 2

PART NO.
 LAST ACCESSED: Monday, 9 July 2007
 ALL DIMENSIONS IN MILLIMETERS UNLESS STATED OTHERWISE

Rev	AMENDMENTS	Date

ITEM NO.	NAME	DWG	PART NO.	QTY.
1	STEERING LINKAGE COMPONENT GREY	5626	105397	1
2	STEERING LINKAGE KNUCKLE	5630	100112	2
3	WASHER NYLON 1-4" OBA THICK	5540	102424	7
4	WASHER AN4	5540	100042	2
5	BOLT AN4-14 a	5450	100559	1
6	BOLT AN4-7	5450	100001	1
7	NUT NYLOC AN4 HALF	5561	100035	2

PART NO. 105398 - STEERING LINKAGE SUB-ASSEMBLY GREY



UPDATE GJP FORMS WITH REV CHANGE

Rev	AMENDMENTS	Date

LAST ACCESSED: Monday, 9 July 2007
ALL DIMENSIONS IN MILLIMETERS UNLESS STATED OTHERWISE

STEERING LINKAGE SUB ASSEMBLY

Drawn By	Scale	Date
Cris	1:2	13/05/03

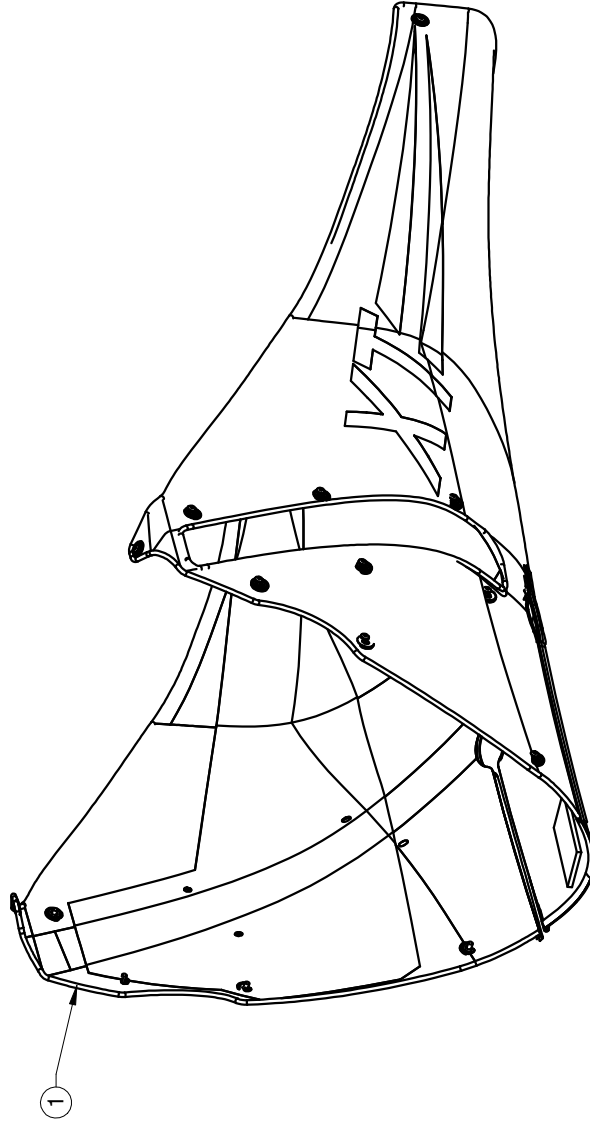
AirBorne AUSTRALIA

5627
SHEET 1 of 1

3 SEAT, BELTS, SOFT SIDE ASM XT OBACK - Drawing # 6980

ITEM NO.	NAME	DWG PART NO.	QTY.
1	SOFT SIDES XT TUNDRA	6981	1
2	SEAT BAG COMPLETE XT TUNDRA	7327	1
3	SKT BUTTON SCREW M6 x 16	5677	2
4	SKT BUTTON SCREW M5 x 16	5677	2
5	NUT NYLOC M 5 FULL	5604	2
6	SKT BUTTON SCREW M5 x 10	5677	2
7	BOLT AN4-16	5450	2
8	WASHER SS 1-4 X 1"	5540	2
9	NUT NYLOC AN4 HALF	5561	2

NOTE:
THE AN4-16 BOLTS, SS WASHERS
AND AN4 1/2 NUTS ARE INCLUDED
FOR ATTACHING THE SOFTSIDES
TO THE FOOTRESTS IN THE MAIN
ASSEMBLY.



SOFT SIDE ASM XT TUNDRA

Drawn By	Scale	Date	6980 SHEET 1 of 1
Simon	1:7	19-09-06	

PART NO. 108120 -

LAST ACCESSED: Wednesday, 6 December 2006
ALL DIMENSIONS IN MILLIMETERS UNLESS STATED OTHERWISE

Rev	AMENDMENTS	Date
1	DCR 2260, XT TUNDRA DEV	19-09-06
2	DCR 2283, ASM RESTRUCT RENAME	06-12-06

4 ELECTRICAL WIRING - Drawing # 6837

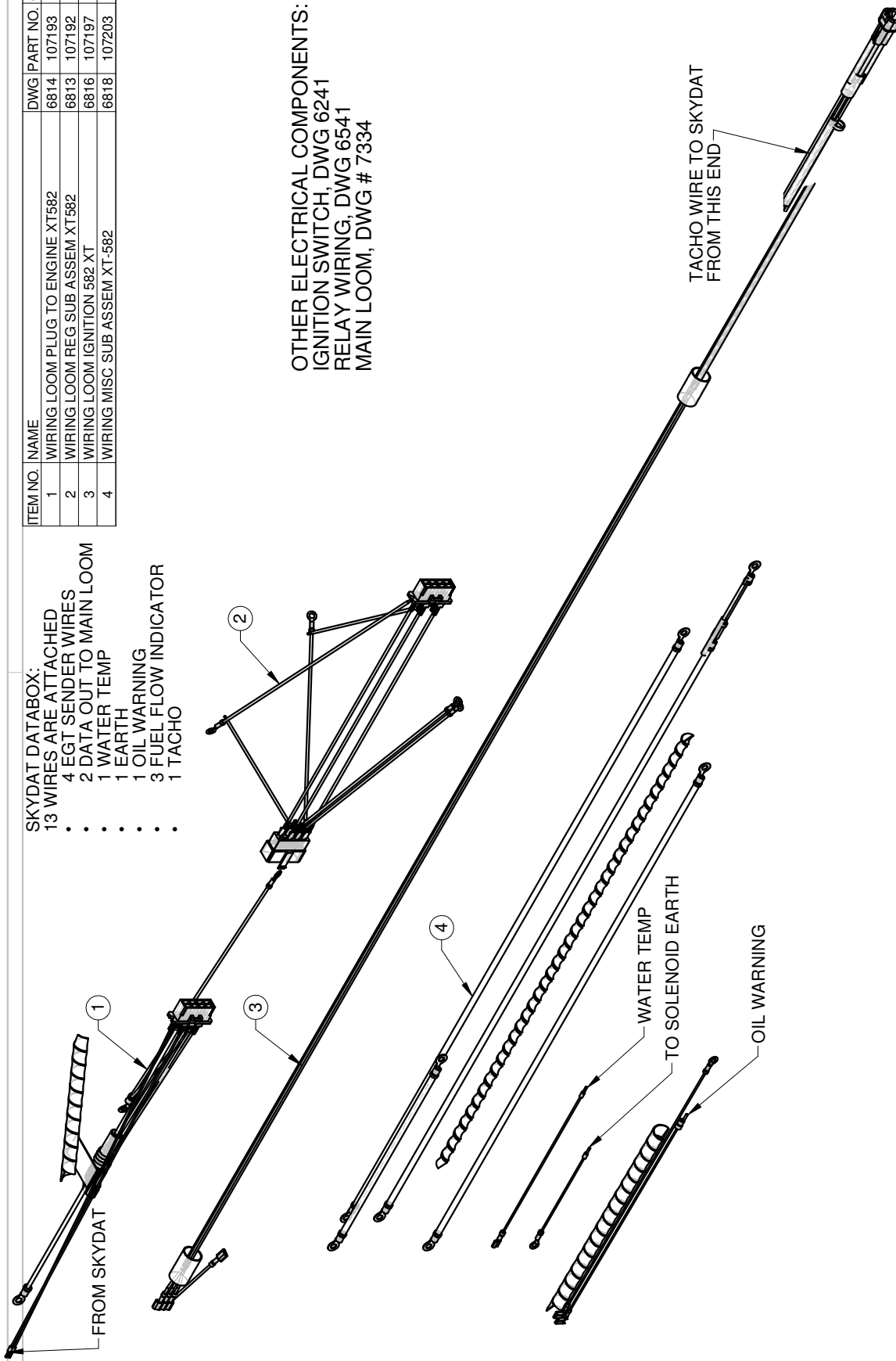
4.1 Regulator Sub-Assembly XT - Drawing # 6813

4.2 Please read the note on the drawing for the new location of wires.

ITEM NO.	NAME	DWG	PART NO.	QTY.
1	WIRING LOOM PLUG TO ENGINE XT582	6814	107193	1
2	WIRING LOOM REG SUB ASSEM XT582	6813	107192	1
3	WIRING LOOM IGNITION 582 XT	6816	107197	1
4	WIRING MISC SUB ASSEM XT-582	6818	107203	1

SKYDAT DATABOX:
13 WIRES ARE ATTACHED
4 EGT SENDER WIRES
2 DATA OUT TO MAIN LOOM
1 WATER TEMP
1 EARTH
1 OIL WARNING
3 FUEL FLOW INDICATOR
1 TACHO

OTHER ELECTRICAL COMPONENTS:
IGNITION SWITCH, DWG 6241
RELAY WIRING, DWG 6541
MAIN LOOM, DWG # 7334

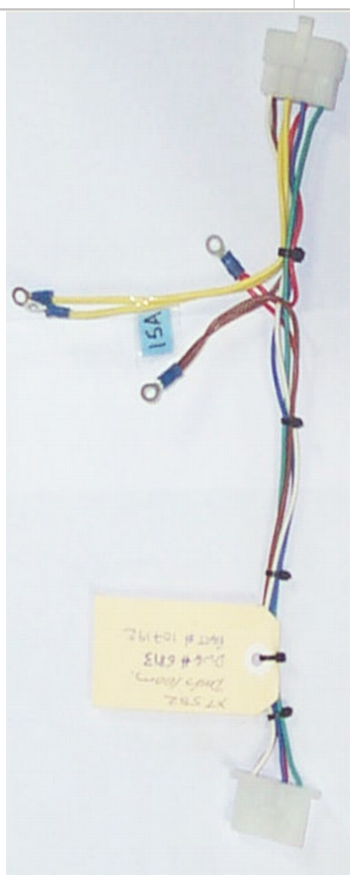
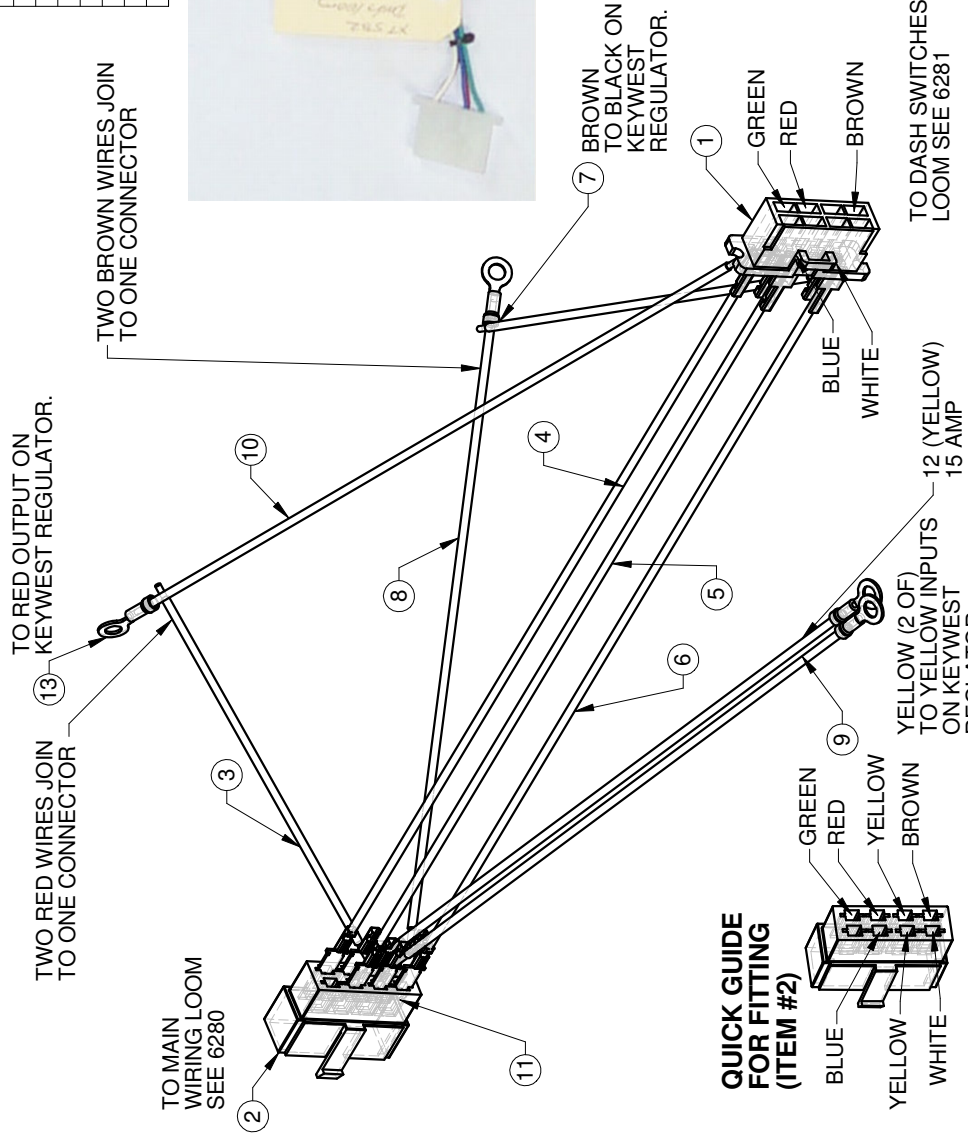


WIRING ELECTRICAL ASSEM XT582			
Drawn By	Scale	Date	
Simon	1:5	02-06-05	
			6837 SHEET 1 of 1

Rev	AMENDMENTS	Date
1	DCR 2282, MOVE WIRES TO DASH ASM	30-11-06
2	DCR 2283, MASTER RESTRUCTURE	12-12-06

PART NO. 107220 - 0
LAST ACCESSED: Tuesday, 10 July 2007
ALL DIMENSIONS IN MILLIMETERS UNLESS STATED OTHERWISE

ITEM NO.	NAME	DWG	PART NO.	QTY.
1	CONNECTOR 8 PIN WHITE PLUG	6230	103127	1
2	CONNECTOR 8 PIN WHITE SOCKET	6231	103128	1
3	WIRE RED 1.13mm ² x 145	6270	105907	1
4	WIRE GREEN 1.13mm ² x 330	6270	105916	1
5	WIRE BLUE 1.13mm ² x 330	6270	105915	1
6	WIRE WHITE 1.13mm ² x 300	6270	105928	1
7	WIRE BROWN 1.13mm ² x 220	6270	105927	1
8	WIRE BROWN 1.13mm ² x 260	6270	105919	2
9	WIRE YELLOW 1.13mm ² x 270	6270	105908	1
10	TERMINAL CONTACT TAB	6229	103120	7
11	TERMINAL CONTACT RECEPTAL	6228	103119	5
12	CONNECTOR 5mm HOLE BLUE	6251	103847	4



WIRES THAT PASS STRAIGHT THROUGH
GREEN
BLUE
WHITE

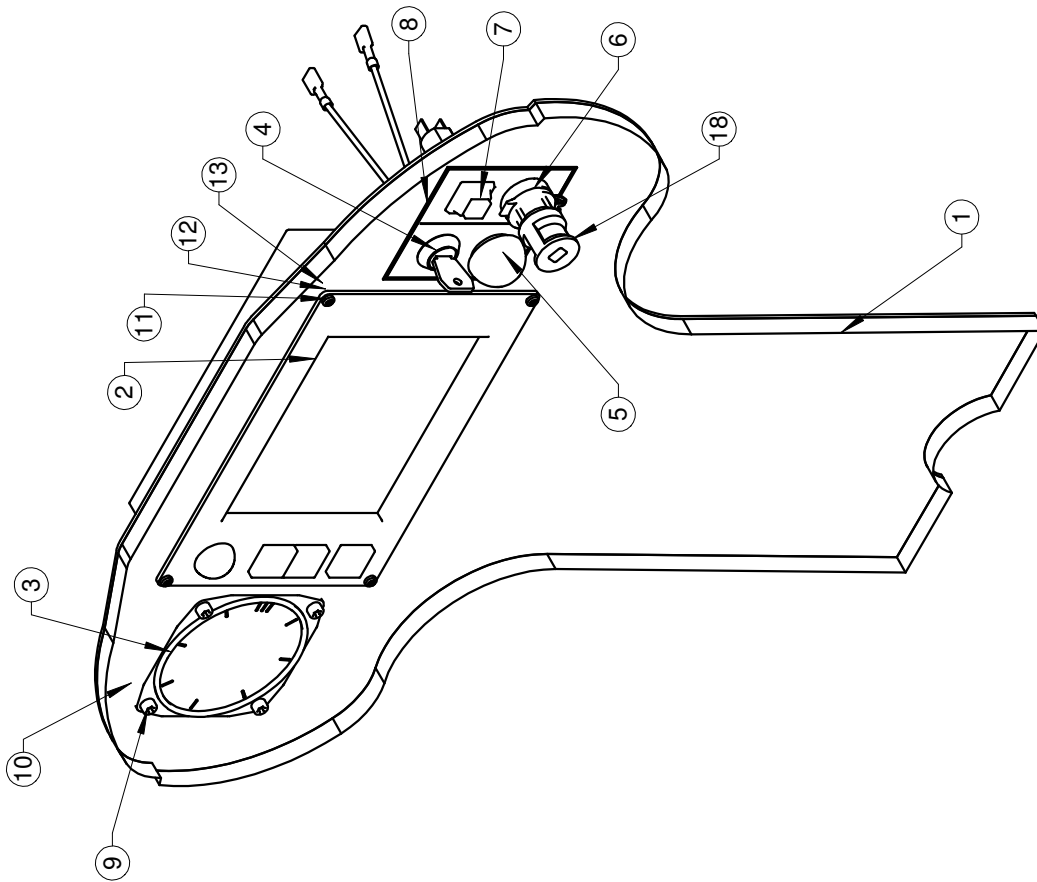
WIRING LOOM REG SUB ASSEM XT582	
Drawn By	Cris
Scale	1:2
Date	10/09/03
AirBorne AUSTRALIA	
6813 SHEET 1 of 1	

Rev	AMENDMENTS	Date
1	REGULATOR WIRE CHANGED TO 15A	06-09-04
PART NO. 107192 - 0		
LAST ACCESSED: Tuesday, 10 July 2007		
ALL DIMENSIONS IN MILLIMETERS UNLESS STATED OTHERWISE		

5 DASH ASM TUNDRA

- **Drawing # 7320**

ITEM NO.	NAME	DWG	PART NO.	QTY.
1	DASH XT OUTBACK DRILLED	6999	108164	1
2	AMPTRONIC COMPUTER SCREEN	5971	105797	1
3	ASI 0-100 KTS 3.25"	5972	300019	1
4	SWITCH KEY WITH WIRES	6241	106760	1
5	BUTTON PUSH W/PROOF	6242	103849	1
6	SOCKET OUTLET DC DIN ISO 4165	6243	103072	1
7	BREAKER CIRCUIT 10AMP	6244	103888	1
8	PLACARD SET XT DASH	6868	107387	1
9	SKT CAP SCREW SS M 4 X 25	5603	100923	4
10	NUT NYLOC M 4	5604	100911	4
11	SCREW M3 x 12 PHILLIPS HEAD	6591	106783	4
12	WASHER STAR M3	6592	106784	4
13	NUT NYLOC M 3 FULL SS	5604	104306	4
14	HOSE BUSH 6ID x 10L	5726	106720	1
15	HOSE CLAMP 9mm	5887	100100	1
16	WIRING LOOM MAIN SWITCH RELAY	6541	106630	1
17	WIRING LOOM DASH SWITCHS SUB-ASSEM XT	6281	105950	1
18	PLUG DC DIN ISO 4165 STND	7455	103073	1



NOTE:
WIRING LOOMS ARE NOT SHOWN ON THE DRAWING.

PART NO. 108165

DASH SUB-ASSEM XT TUNDRA

Rev	AMENDMENTS	Date
1	DCR 2260, TUNDRA XT DEV	24-10-06
2	DCR 2282, ADD WIRES, AND CLAMP	30-11-06
3	DCR 2305, ADD 107073	08-06-07

LAST ACCESSED: Monday, 25 June 2007
ALL DIMENSIONS IN MILLIMETERS UNLESS STATED OTHERWISE

Drawn By	Scale	Date
Simon	1:3	24-10-06

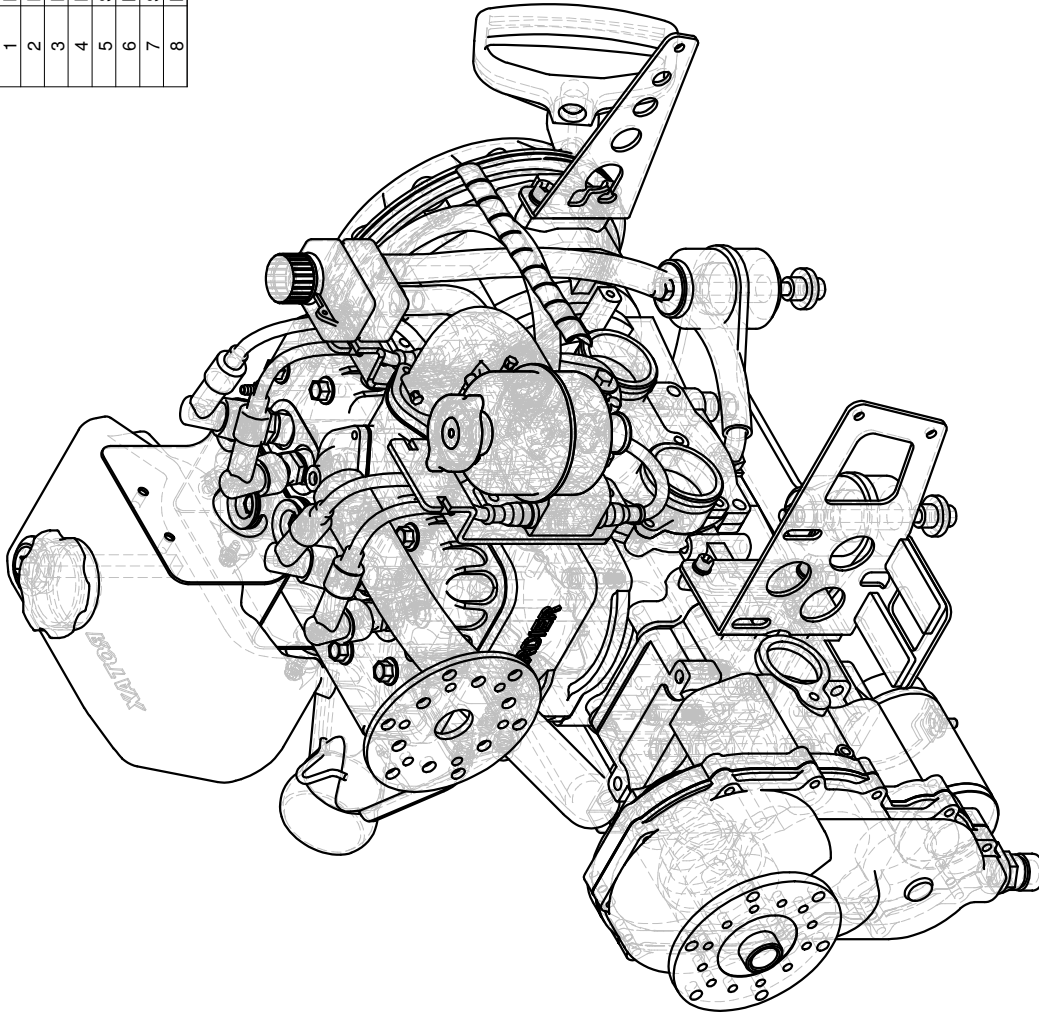
AirBorne
AUSTRALIA

7320
SHEET 1 of 1

6 ENGINE XT-582 FOR ASSEM

- **Drawing # 6905**

ITEM NO.	NAME	DWG.	PART NO.	QTY.
1	ENGINE 582XT ROTAX WIP	6359	107577	1
2	RADIATOR HOSE ENG TO HEADER XT-582	6718	106912	1
3	ENGINE MOUNT ISOLATION ASSEMBLY XT-582	6739	106993	1
4	EXHAUST MANIFOLD CERAMIC 582	6634	106824	1
5	SKT CAP SCREW M 8 X 20 MODIFIED	5603	107394	2
6	BRACKET INTAKE SILENCER ASSEM XT582	6830	107214	1
7	SPIRAL BINDING 12mm x 150mm	6524	106721	1
8	HOSE CLAMP 25MM (HS016P)	5887	100357	2



ENGINE 582XT FOR TRIKE BASE ASSY

Drawn By	Scale	Date		6905 SHEET 1 of 1
Simon	1:4	30-01-06		

PART NO. 107583

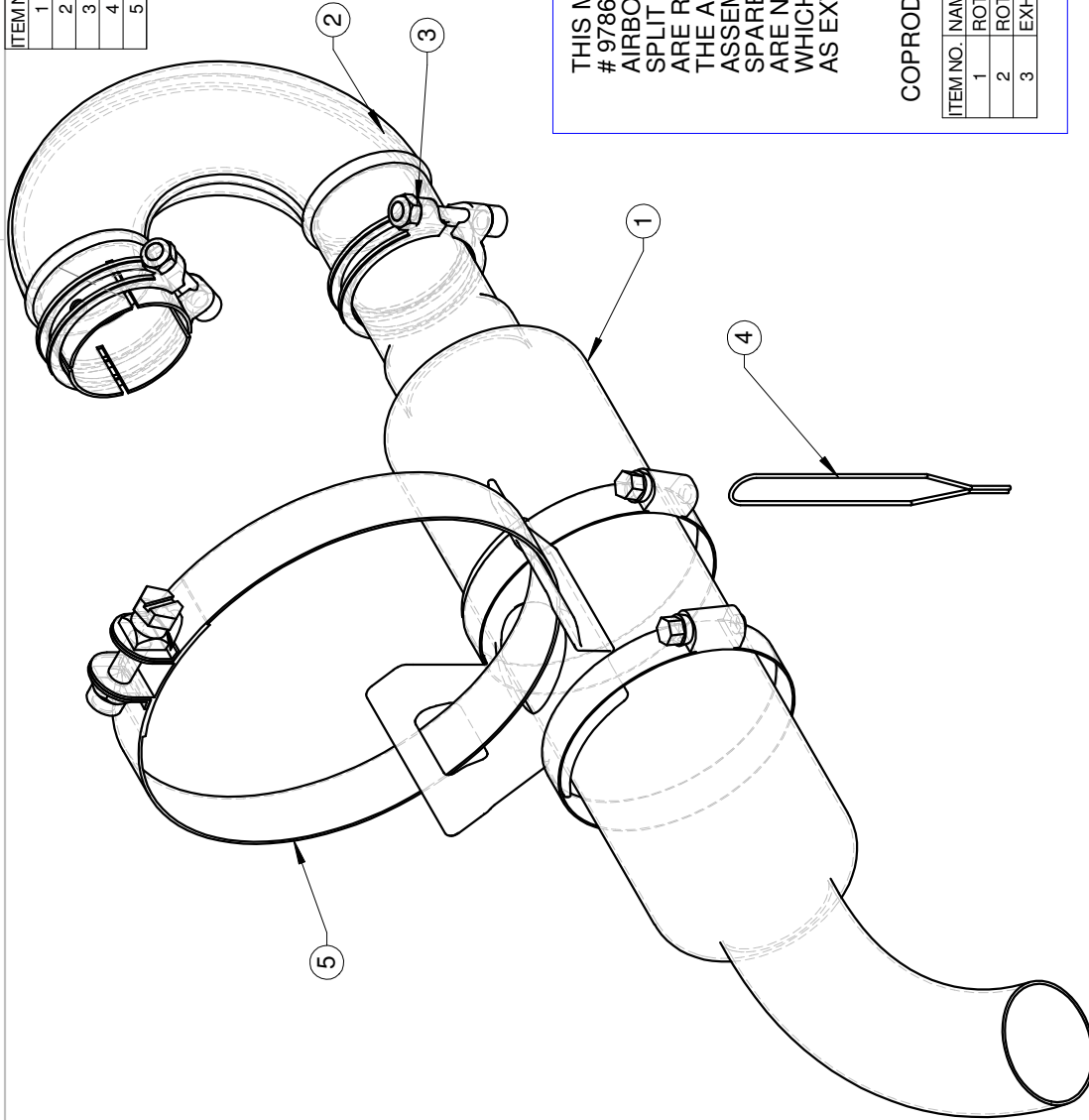
LAST ACCESSED: Monday, 9 July 2007

ALL DIMENSIONS IN MILLIMETERS UNLESS STATED OTHERWISE.

Rev	AMENDMENTS	Date
1	DCR 2218, 582XT ENGINE RESTRUCTURING	15-02-06

7 EXHAUST AFTER SILENCER ASSEM - Drawing # 6916

ITEM NO.	NAME	DWG	PART NO.	QTY.
1	ROTAX AFTER MUFFLER ASSY CERAMIC CT	6912	107625	1
2	ROTAX ELBOW ASSY CERAMIC CTD	6911	107623	1
3	NUT NYLOC M 6	5604	102132	2
4	TIE WIRE - 200 EXHAUST XT	6372	106263	1
5	EXHAUST AFTER SILENCER MOUNT KIT	6917	107631	1



THIS MODEL ALSO REPRESENTS ROTAX PART # 978650, WHICH IS PURCHASED FROM ROTAX AS AIRBORNE PART # 102133. THIS ASSEMBLY IS THEN SPLIT AND THE COPRODUCTS LISTED BELOW ARE RECEIVED INTO INVENTORY. THE ASSEMBLY LIST ABOVE (PART # 107629) IS ASSEMBLED ONTO A TRIKE OR AS SOLD AS A SPARE. IT INCLUDES THE PARTS RECEIVED WHICH ARE NOT MODIFIED, CERAMIC COATED ITEMS WHICH HAVE DIFFERENT PART NUMBERS AS WELL AS EXTRA NUTS AND TIE WIRE FROM INVENTORY.

COPRODUCTS RECEIVED WITH PART #102133 ARE:

ITEM NO.	NAME	DWG	PART NO.	QTY.
1	ROTAX AFTER MUFFLER ASSY	6912	107624	1
2	ROTAX ELBOW ASSY	6911	102427	1
3	EXHAUST AFTER SILENCER MOUNT KIT	6917	107631	1

PART NO. 107629

LAST ACCESSED: Monday, 9 July 2007

ALL DIMENSIONS IN MILLIMETERS UNLESS STATED OTHERWISE

EXHAUST AFTER SILENCER AIRBORNE ASS

Drawn By: Simon
Scale: 1:2
Date: 16-03-06
SHEET 1 of 1
AirBorne
AUSTRALIA
6916

8 ENGINE COMPONENTS ASSEM

8.1 Fuel Hose Assem

8.2 Radiator Hose Assem

8.3 Radiator Assem

8.4 Fuel Pump Mount Assem

8.5 Intake Silencer Assem

8.6 Exhaust Assem

- **Drawing # 6733**

- *Drawing # 6741*

- *Drawing # 6678*

- *Drawing # 6700*

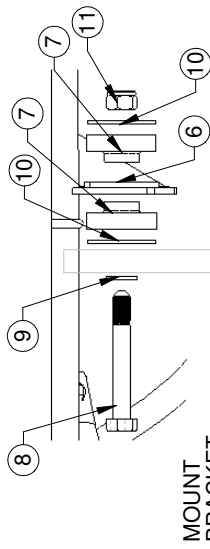
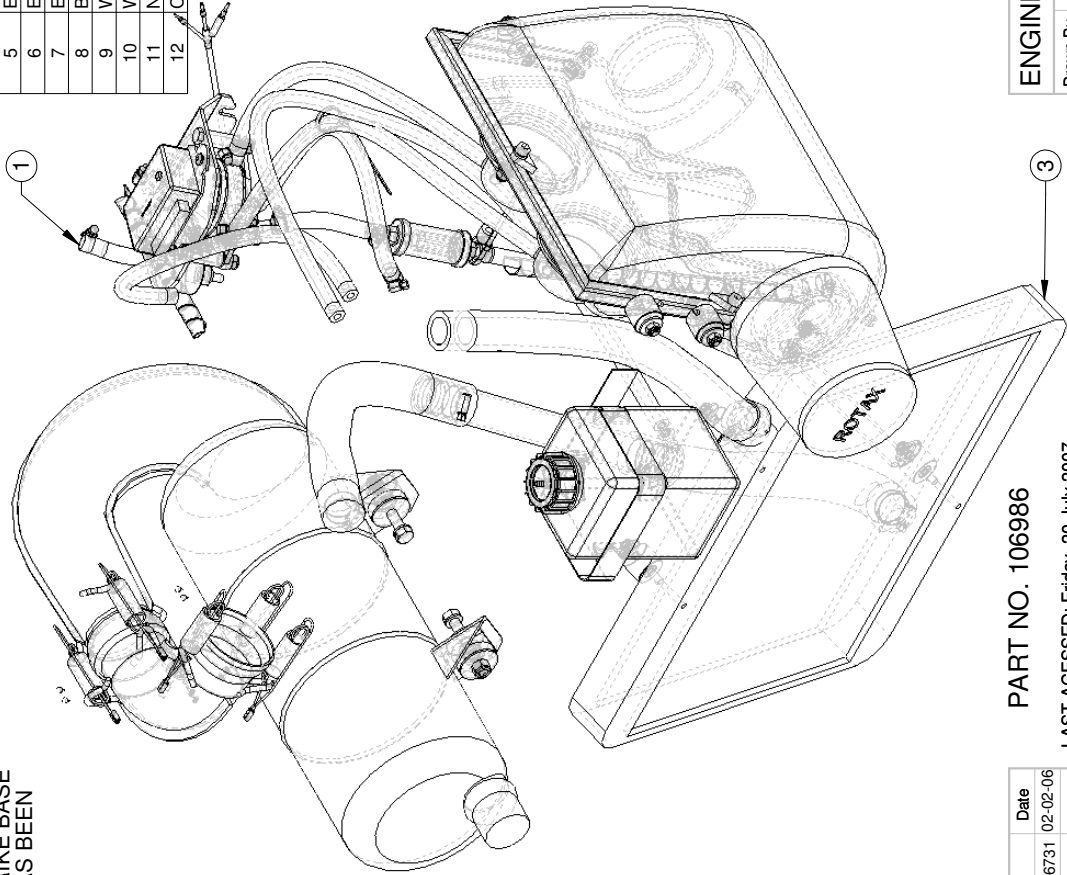
- *Drawing # 6740*

- *Drawing # 6675*

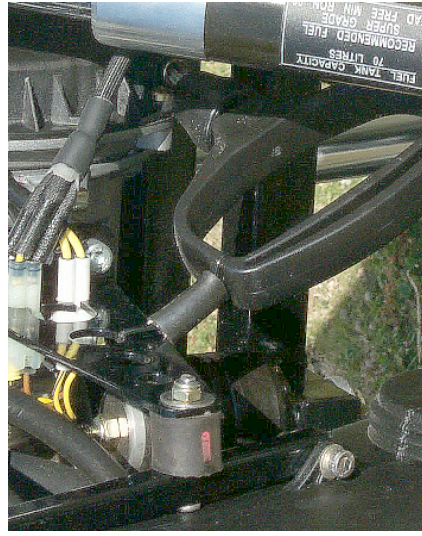
- *Drawing # 6710*

ITEM NO.	NAME	DWG PART NO.	QTY.
1	FUEL HOSE ASSEMBLY XT-582	6741	106996 1
2	RADIATOR HOSES ASSEMBLY XT-582	6678	106868 1
3	RADIATOR ASSEMBLY XT-582	6700	106937 1
4	FUEL PUMP MOUNT ASSEMBLY XT-582	6740	106995 1
5	ENGINE 582 INTAKE SILENCER ASSEMBLY	6675	106865 1
6	EXHAUST ASSEMBLY XT-582	6710	106822 1
7	EXHAUST MOUNT RUBBER	4152	101368 4
8	BOLT AN5-22 a	5493	100017 2
9	WASHER AN5	5540	100043 2
10	WASHER SS 5-16 X 1-1/4" 304 FLAT	5540	100045 4
11	NUT NYLOC AN5 FULL	5535	100036 2
12	COVER AIR FILTER XT-582	4798	106695 1

NOTE:
THIS ASSEMBLY IS MOST OF THE PARTS FOR THE ENGINE, WHICH ARE ASSEMBLED BY TRIKE BASE AFTER THE ENGINE HAS BEEN INSTALLED.



DETAIL A: SHOWS THE COMPONENTS WHICH MOUNT THE MUFFLER ON TO THE ENGINE MOUNT ASSEMBLY.
A (1:3) PHOTO SHOWS FUEL HOSE SPACER ON THE PULL START.



ENGINE COMPONENTS ASSEMBLY XT-582

Drawn By	Scale	Date	6733 SHEET 1 of 1
Cris	1:5	10/02/05	

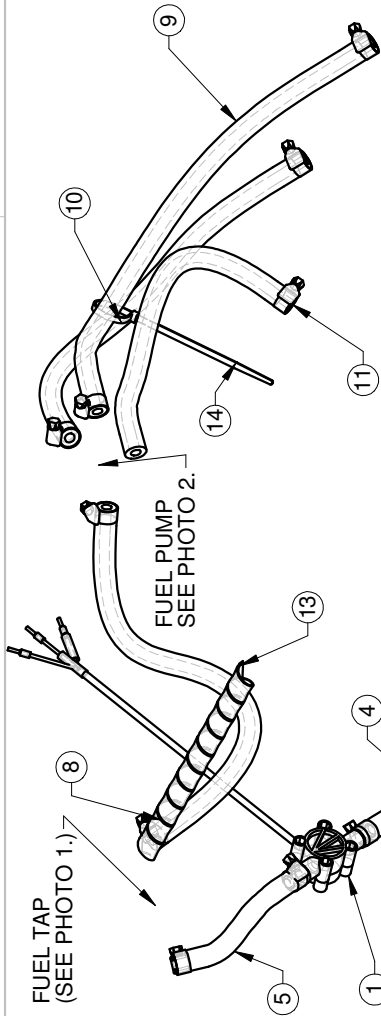
PART NO. 106986

LAST ACCESSED: Friday, 20 July 2007

ALL DIMENSIONS IN MILLIMETERS UNLESS STATED OTHERWISE

Rev	AMENDMENTS	Date
1	DCR 2215, MOVE PARTS TO 6730, 6731	02-02-06
2	DCR 2218, 582XT ENGINE RESTRUCTURING	15-02-06
3	DCR 2314 - ADD COVER	16-07-07

ITEM NO.	NAME	DWG PART NO.	QTY.
1	FUEL FLOW SENDER COMPLETE	5919	105289 1
2	FUEL FILTER GLASS 1-4" ASSEM	5915	101393 1
3	FUEL LINE 330 TANK-FILTER XT-912	5911	105738 1
4	FUEL LINE 80 FILTER-METER XT-912	5912	105739 1
5	FUEL LINE 100 METER-TAP XT-912	5913	105740 1
6	HOSE CLAMP 6MM	5887	100099 13
7	HOSE BUSH 6ID x 10L	5726	106720 1
8	FUEL LINE 245MM TAP TO PUMP XT-582	6744	107001 1
9	FUEL LINE 400MM PUMP-REAR CARBY	6745	107002 1
10	FUEL LINE 280MM PUMP-FRONT CARBY	6746	107003 1
11	FUEL LINE 300MM PUMP TO CRANKCASE	6747	107004 1
12	SPIRAL BINDING 12mm x 250mm	6524	106723 1
13	SPIRAL BINDING 12mm x 150mm	6524	106721 1
14	CABLE TIE MED	5605	101193 2



FUEL TAP
(SEE PHOTO 1.)

FUEL PUMP
SEE PHOTO 2.

FUEL PUMP
WITH FOUR
ATTACHED
HOSES



FUEL HOSE SPACERS
SECURE THE FUEL
FILTER TO THE ENGINE
MOUNT.



PHOTO 1.
FUEL TAP
WITH HOSES



PHOTO 2.
FUEL PUMP
WITH HOSES

Rev	AMENDMENTS	Date

PART NO. 106996 -

LAST ACCESSED: Monday, 9 July 2007

ALL DIMENSIONS IN MILLIMETERS UNLESS STATED OTHERWISE



Drawn By
Cris

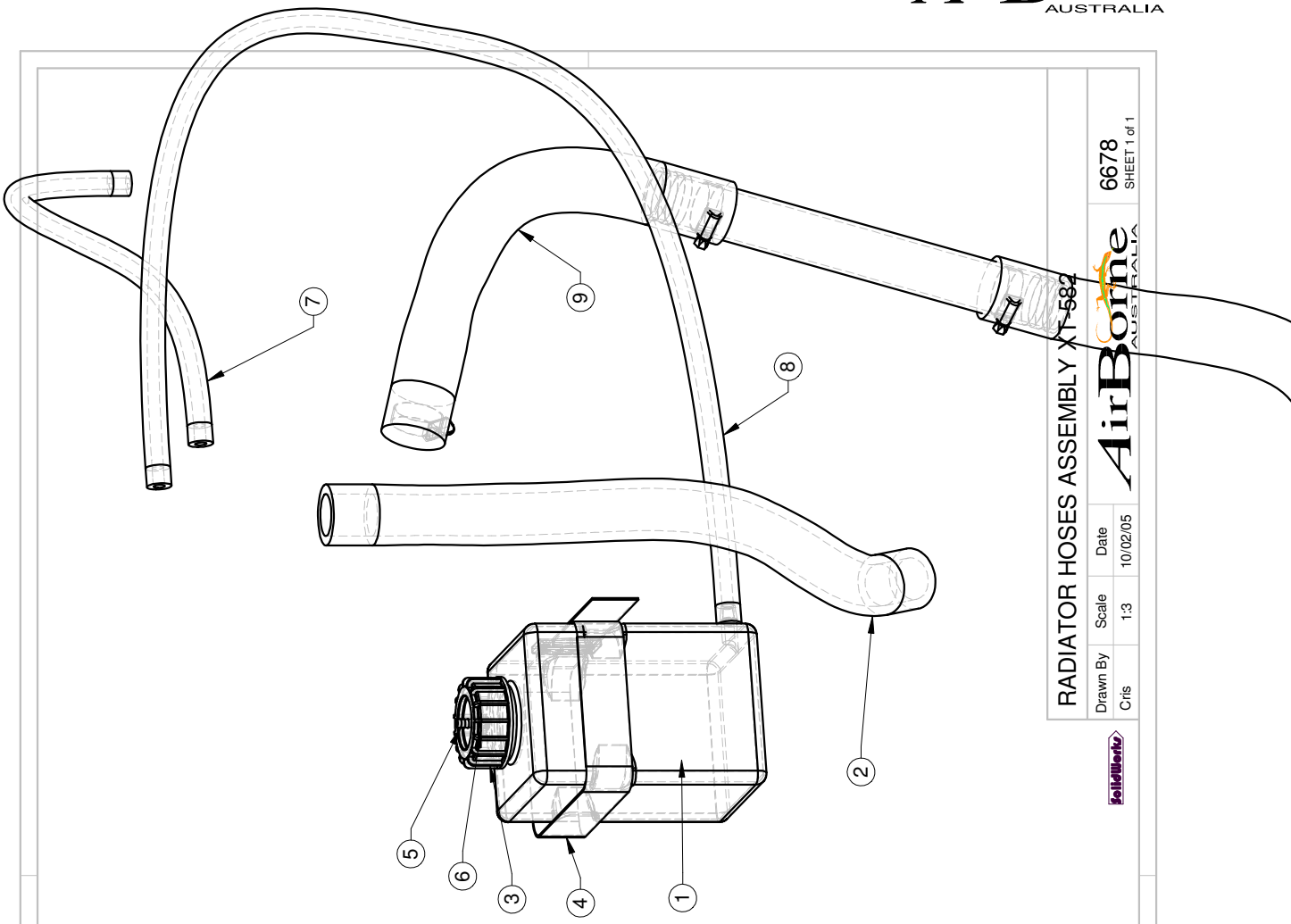
Scale
1:3.8

Date
21/02/05

AirBorne
AUSTRALIA

6741
SHEET 1 of 1

FUEL HOSE ASSEMBLY XT-582



ITEM NO.	NAME	DWG	PART NO.	QTY.
1	RADIATOR OVERFLOW BOTTLE XT-912	5696	105474	1
2	RADIATOR HOSE HEADER TO RAD XT-582	6719	106913	1
3	RADIATOR OVER-FLOW BOTTLE CAP XT	5697	105475	1
4	OVERFLOW BOTTLE STRAP COMPLETE XT-582	6220	106997	1
5	NIPPLE M5 BRASS	5711	105868	1
6	NUT NYLOC M 4	5604	100911	1
7	FUEL LINE 330MM HEADER TO ENG HEAD	6840	107235	1
8	FUEL LINE 740MM HEADER TO OVERFLOW	6841	107236	1
9	RADIATOR HOSE ASSY MOTOR-RAD XT	6839	107234	1



RADIATOR HOSES ASSEMBLY XT-582

Drawn By: Cris
Scale: 1:3
Date: 10/02/05

AirBorne AUSTRALIA

6678 SHEET 1 of 1

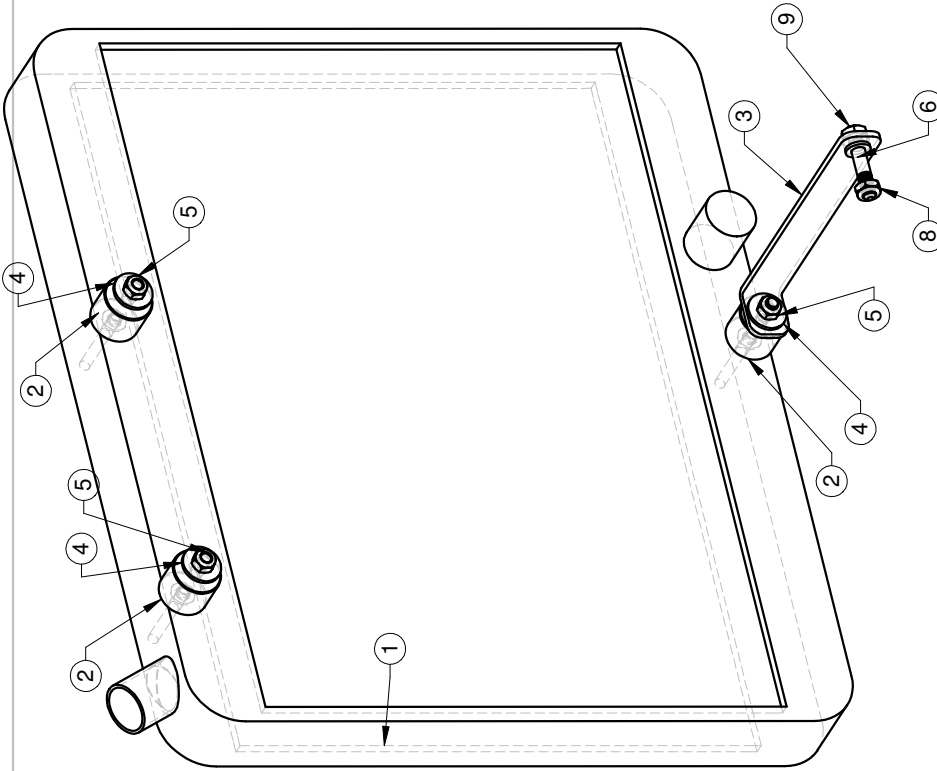
PART NO. 106868 -

LAST ACCESSED: Monday, 9 July 2007

ALL DIMENSIONS IN MILLIMETERS UNLESS STATED OTHERWISE

Rev	AMENDMENTS	Date
1	DCR 2218_582XT ENGINE RESTRUCTURING	15-02-06

ITEM NO.	NAME	DWG	PART NO.	QTY.
1	RADIATOR PWR 380X340 XT-582 BLACK	6701	107864	1
2	RADIATOR MOUNTING RUBBER XT SHORT-SHORT	5686	105470	3
3	BRACKET RADIATOR LOWER XT-582	6624	106864	1
4	WASHER SS 1-4 X 3-4"	5540	102018	3
5	NUT NYLOC M6	5604	102132	3
6	WASHER NYLON 1-4" OBA THICK	5540	102424	1
7	WASHER AN4	5540	100042	1
8	NUT NYLOC AN4 HALF	5561	100085	1
9	BOLT AN4-12 a	5450	100547	1



PHOTOS SHOW CABLE TIED FUEL HOSE SPACERS.



PHOTO SHOWS INSTALLED RADIATOR.

Rev	AMENDMENTS	Date
1	DCR 2251, CHANGE RAD TO P/COATED	05-06-06

PART NO. 106937 -

LAST ACCESSED: Monday, 9 July 2007

ALL DIMENSIONS IN MILLIMETERS UNLESS STATED OTHERWISE

RADIATOR ASSEMBLY XT-582

Drawn By	Scale	Date
Cris	1:5	02/02/05

AirBorne AUSTRALIA
6700
SHEET 1 of 1

ITEM NO.	NAME	DWG PART NO.	QTY.
1	MOUNT FUEL PUMP XT-582	6729	106994
2	ENGINE FUEL PUMP 582	6728	106110
3	SOLENIOD STARTER XT	6288	105883
4	BUSH ALLOY OD12x17-64x27L	5453	106999
5	SKT BUTTON SCREW M5 x 10	5677	106172
6	SKT BUTTON SCREW M5 x 16	5677	103182
7	CAPTURE MODULE XT-582	5707	107000
8	NUT NYLOC M 5 FULL	5604	101365
9	BOLT AN4-16	5450	100004
10	NUT NYLOC AN4 HALF	5561	100035
11	LOCTITE 243 Blue Med Strength	5637	103706



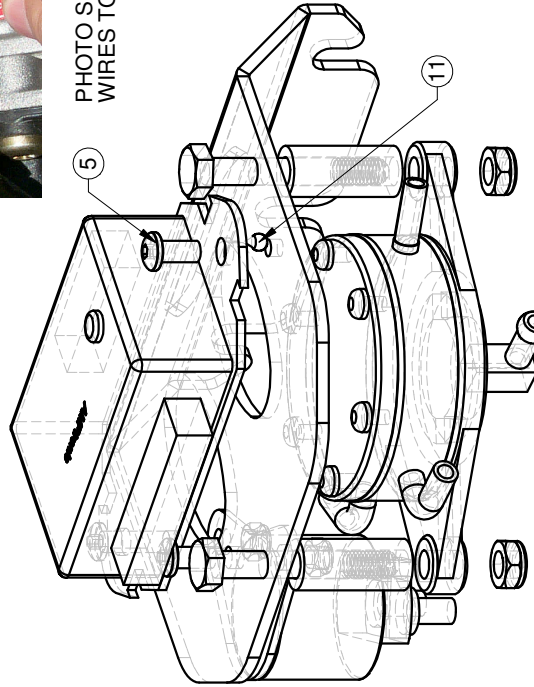
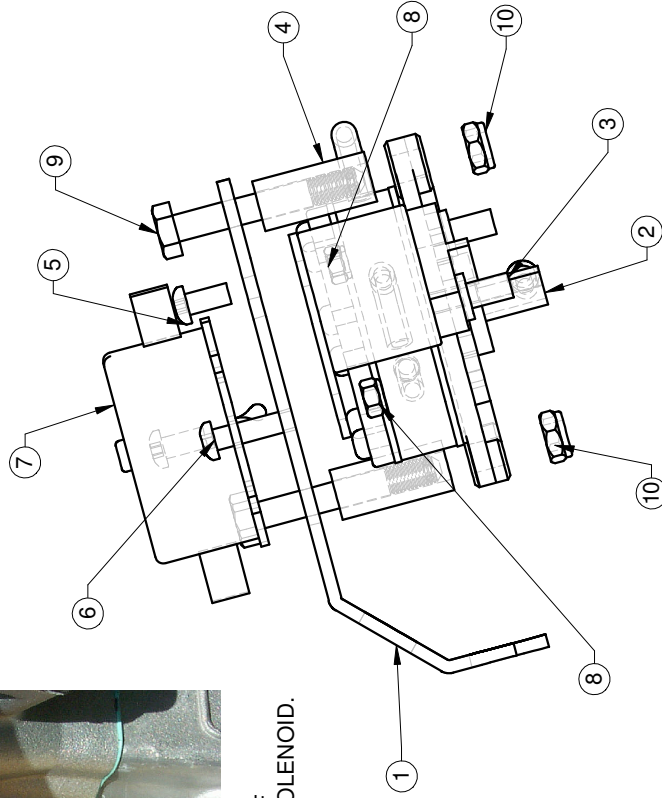
WIRING NOTES:

BROWN TO EARTH

WHITE WIRE TO THE 'TAB' THE REAR STUD HAS RED WIRE TO THE STARTER.

FRONT STUD YELLOW / RED

PHOTO SHOWS ATTACHMENT OF WIRES TO THE DATA BOX AND SOLENIOD.

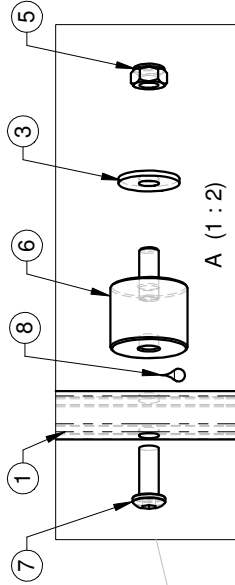
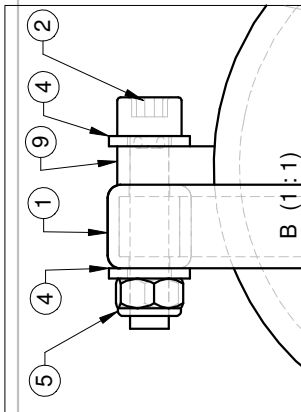


Rev	AMENDMENTS	Date	PART NO. 106995 -	
			LAST ACCESSED: Monday, 9 July 2007	
			ALL DIMENSIONS IN MILLIMETERS UNLESS STATED OTHERWISE	
			Drawn By Cris	Date 21/02/05
			Scale 1:1.5	6740 SHEET 1 of 1

ITEM NO.	NAME	DWG	PART NO.	QTY.
1	BRACE INTAKE SILENCER COMPLETE XT-5	6704	106911	1
2	SKT CAP SCREW M 6 X 30 SS	5603	107141	3
3	WASHER SS 1-4 X 3-4"	5540	102018	5
4	WASHER AN4	5540	100042	2
5	NUT NYLOC M 6	5604	102132	6
6	MOUNTING RUBBER 20MM M6 SHORT	5686	107054	3
7	SKT BUTTON SCREW M6 x 16	5677	101752	3
8	LOC TITE 243 Blue Med Strength	5637	103706	3
9	ENGINE 582 INTAKE SIL ASSY ROTAX	6904	107578	1

INSTRUCTIONS:
1. VIEW FROM INTAKE FILTER SIDE.
2. THREE MOUNTS.

ENSURE THAT THE INTAKE SILENCER BOOTS ARE ALIGNED CORRECTLY. (AS SHOWN)



INSTRUCTIONS:
1. THREE RUBBER MOUNTS.
2. SKT BUTTON SCREW ON INSIDE.
3. LOC TITE ON SKT BUTTON SCREW.

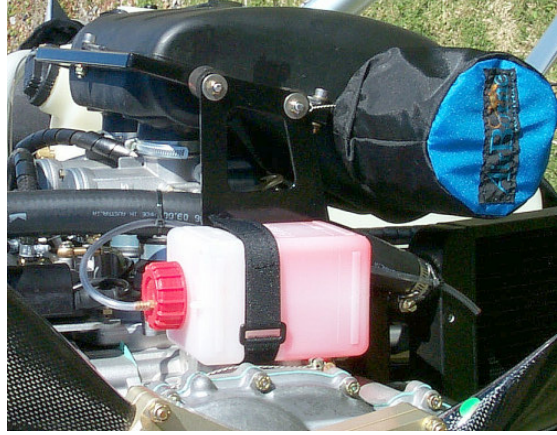
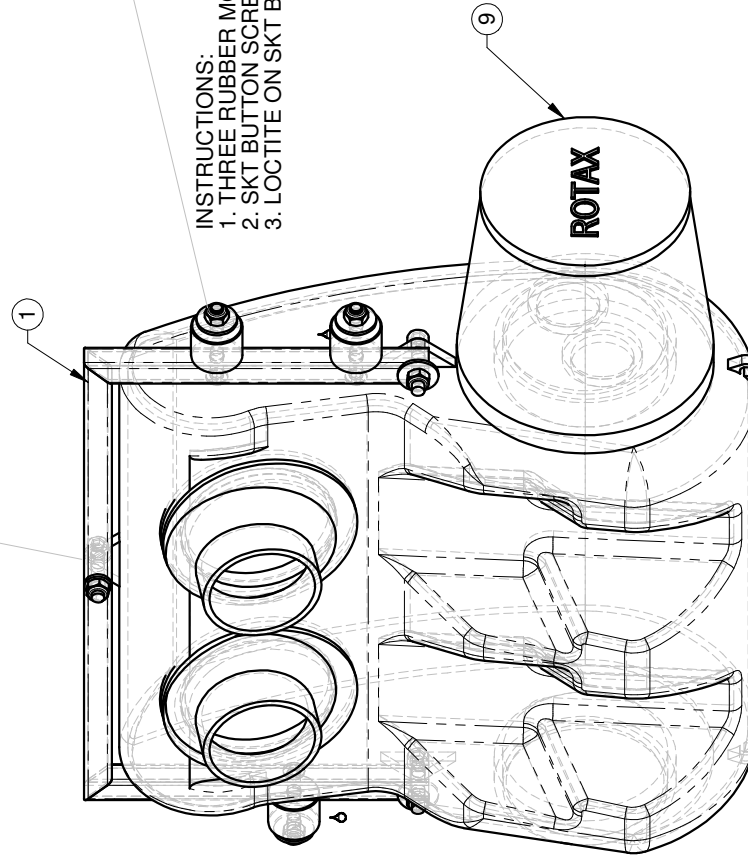


PHOTO SHOWS GAP BETWEEN RADIATOR AND AIR FILTER

ENGINE 582 INTAKE SILENCER ASSEMBLY

PART NO. 106865 -

Rev	AMENDMENTS	Date
1	DCR 2218, 582XT ENGINE RESTRUCTURING	15-02-06

LAST ACCESSED: Monday, 16 July 2007

ALL DIMENSIONS IN MILLIMETERS UNLESS STATED OTHERWISE

Drawn By	Scale	Date
Cris	1:3	02/02/05

6675
SHEET 1 of 1

AirBorne
AUSTRALIA

ITEM NO.	NAME	DWG PART NO.	QTY.
1	EXHAUST ELBOW CERAMIC 582	6632	1
2	EXHAUST MUFFLER COMPLETE XT-582	6635	1
3	SPRING EXHAUST OD16X60L CERAMIC	5556	6
4	TIE WIRE - 200 EXHAUST XT	6372	6
5	SWAGE 1.2mm (3-64")	5566	6
6	VALVE GRIND COMPOUND MEDIUM	5637	2
7	LOCTITE 767 ANTI-SEIZE	5637	2

NOTE THAT PART # 106824 THE EXHAUST MANIFOLD IS ASSEMBLED ONTO THE ENGINE ON DWG # 6905, IN THE ENGINE ASSEMBLY AREA.

NOTE:
ROTAX EXHAUST MANIFOLD GASKETS USED. SUPPLIED WITH THE ENGINE.
(FOR SPARES AIRBORNE PART # 100804)

INSTRUCTIONS:
MEDIUM GRINDING PASTE TO BE USED TO FINISH THE MATING SURFACES, THEN REMOVED AND A THIN LAYER OF ANTI SEIZE PASTE APPLIED BEFORE MATING THE PARTS.

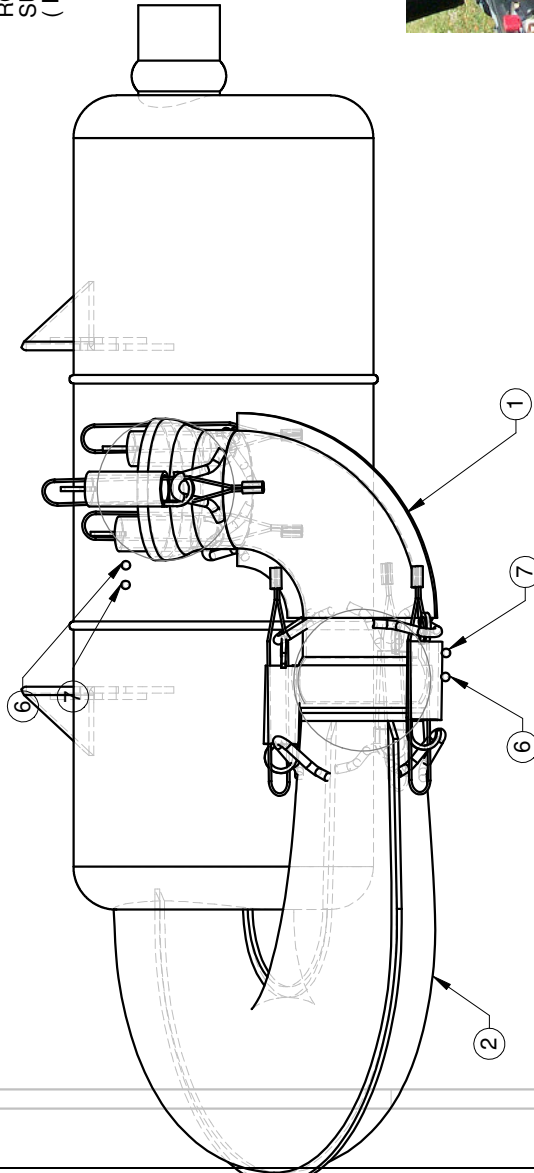


PHOTO OF INSTALLED EXHAUST WITH AFTER SILENCER.

EXHAUST ASSEMBLY XT-582

Drawn By	Scale	Date	AirBorne AUSTRALIA	6710 SHEET 1 of 2
Cris	1:3	02/02/05		

PART NO. 106822 -

LAST ACCESSED: Monday, 9 July 2007

ALL DIMENSIONS IN MILLIMETERS UNLESS STATED OTHERWISE

Rev	AMENDMENTS	Date
1	DCR 2218: 582XT ENGINE RESTRUCTURING	15-02-06
2	DCR 2229: EXHAUST SPRING PART NO FIXED	21-03-06



LUG POSITION DETAIL PHOTO.

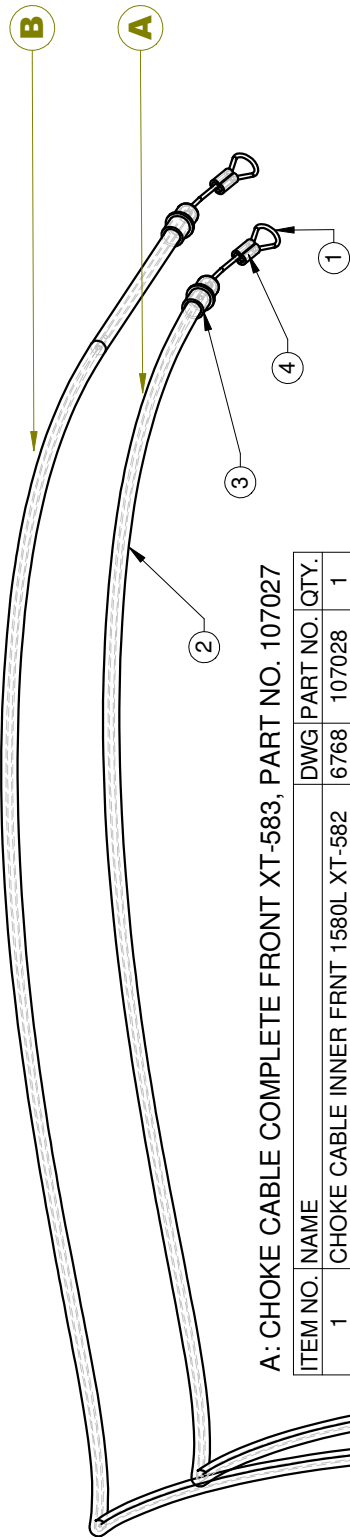
Rev	AMENDMENTS	Date	Drawn By	Scale	Date		6710 SHEET 2 of 2
			Simon	NTS	21-11-05		

PART NO.

LAST ACCESSED: Monday, 9 July 2007
ALL DIMENSIONS IN MILLIMETERS UNLESS STATED OTHERWISE

9 CHOKE CABLES

- **Drawing # 6767**



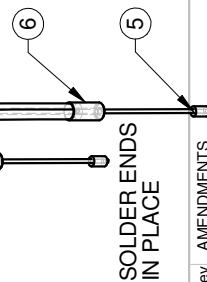
A: CHOKE CABLE COMPLETE FRONT XT-583, PART NO. 107027

ITEM NO.	NAME	DWG	PART NO.	QTY.
1	CHOKE CABLE INNER FRNT 1580L XT-582	6768	107028	1
2	CHOKE CABLE OUTER FRNT 1450L XT-582	6769	107029	1
3	T/CABLE OUTER END CAP - SHOULDER	6770	103782	1
4	SWAGE 1.2mm (3-64")	5566	101561	1
5	T/CABLE FERRULE 1.2MM CABLE	6771	101341	1
6	END CAP BOWEN CABLE 5mm	6443	100798	1

NOTE: VALUES GIVE WIRE CUT LENGTHS

B: CHOKE CABLE COMPLETE REAR XT-583, PART NO. 107030

ITEM NO.	NAME	DWG	PART NO.	QTY.
1	CHOKE CABLE INNER REAR 1650L XT-582	6768	107031	1
2	CHOKE CABLE OUTER REAR 1520L XT-582	6769	107032	1
3	T/CABLE OUTER END CAP - SHOULDER	6770	103782	1
4	SWAGE 1.2mm (3-64")	5566	101561	1
5	T/CABLE FERRULE 1.2MM CABLE	6771	101341	1
6	END CAP BOWEN CABLE 5mm	6443	100798	1



Rev	AMENDMENTS	Date

LAST ACCESSED: Monday, 9 July 2007
ALL DIMENSIONS IN MILLIMETERS UNLESS STATED OTHERWISE

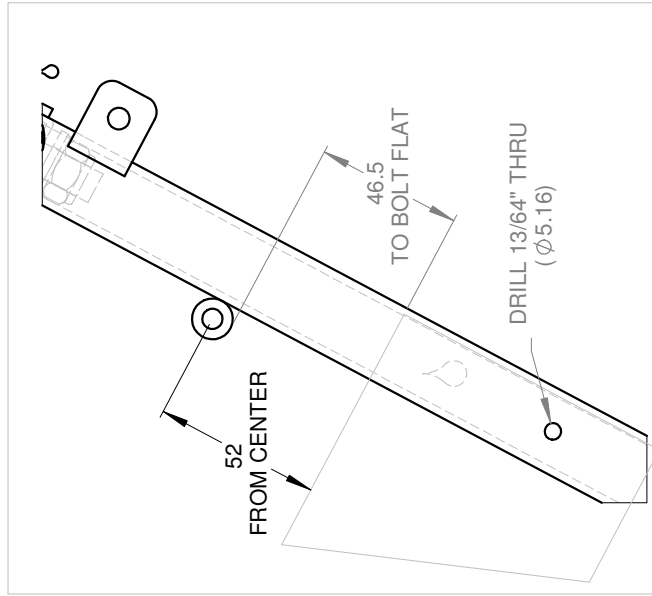
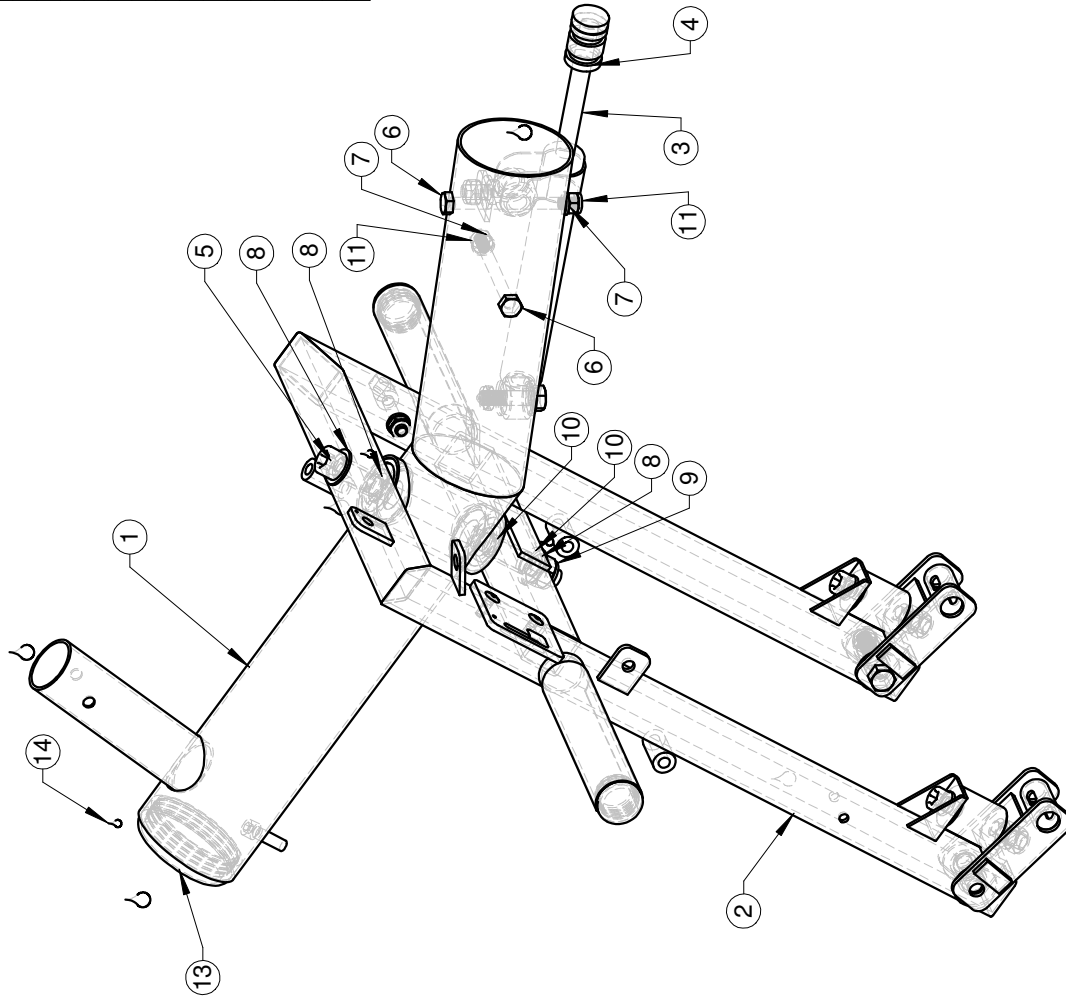
CHOKE CABLES COMPLETE XT-582



 6767
SHEET 1 of 1

10 FRONT END ASM XT TUNDRA TYPE 3	-	Drawing # 7410
10.1 Fork Carrier Incl Bearings	-	Drawing # 6436
10.2 Front Fork Sub-Asm XT- Tundra	-	Drawing # 6969
10.3 Steering Dampener Asm	-	Drawing # 5610

ITEM NO.	NAME	DWG PART NO.	QTY.
1	FORK CARRIER XT INCL BEARINGS GREY	6436	106916 1
2	FRONT FORK SUB-ASSEMBLY XT TUNDRA	6969	108108 1
3	STEERING DAMPER SUB-ASSEMBLY	5610	105388 1
4	BUSH TUNDRA STEERING LIMITER	6333	105998 1
5	SKT CAP SCREW M 10 X 150 ZINC PLATED	5603	108101 1
6	BOLT AN4-27 a	5450	100010 2
7	WASHER AN4	5540	100042 2
8	WASHER SS 10 X 21mm	5540	103456 3
9	NUT NYLOC M 10 FULL	5604	100802 1
10	WASHER NYLON M10 STD	5540	100619 2
11	NUT NYLOC AN4 FULL	5535	100034 2
12	RUST PROTECTANT ARP LIQUID	5637	106730 1
13	CAP ROUND TUBE CLOSURE 57MM	5633	101718 1
14	LOCTITE 406 Instant Adhesive	5637	103707 1
15	SLEEVE 60D X 10L	7216	104548 1



NOTE: DISK BRAKE RETROFIT DIMENSIONS

COPIED FROM A4-6970, 11-04-07

FRNT END SUBASM XT TUNDRA TYPE 3

PART NO. 108361

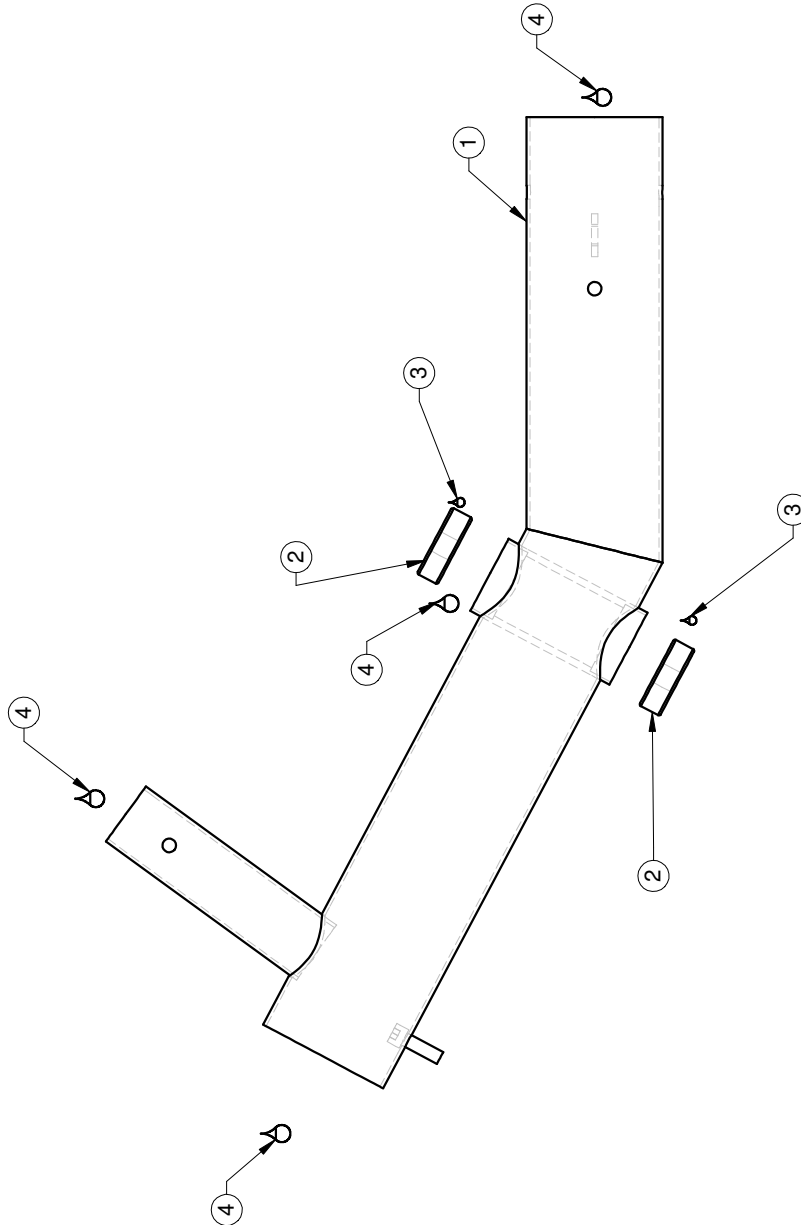
Rev	AMENDMENTS	Date

LAST ACCESSED: Wednesday, 25 July 2007
ALL DIMENSIONS IN MILLIMETERS UNLESS STATED OTHERWISE

Drawn By	Scale	Date	AirBorne AUSTRALIA	7410 SHEET 1 of 1
Simon	1:3.5	11-04-07		

DETAIL A
SCALE 1 : 2

ITEM NO.	NAME	DWG PART NO.	QTY.
1	FORK CARRIER BEARING TYPE XT GREY	5445	105197 1
2	BEARING (STEEL NOSE CONE)	5608	102865 2
3	LOCTITE 641 Bearing Lock	5637	103708 2
4	RUST PROTECTANT ARP LIQUID	5637	106730 4



FORK CARRIER XT INCL BEARINGS GREY

Drawn By	Scale	Date	AirBorne AUSTRALIA	6436 SHEET 1 of 1
Cris	1:3	24/03/04		

PART NO. 106916 - 0

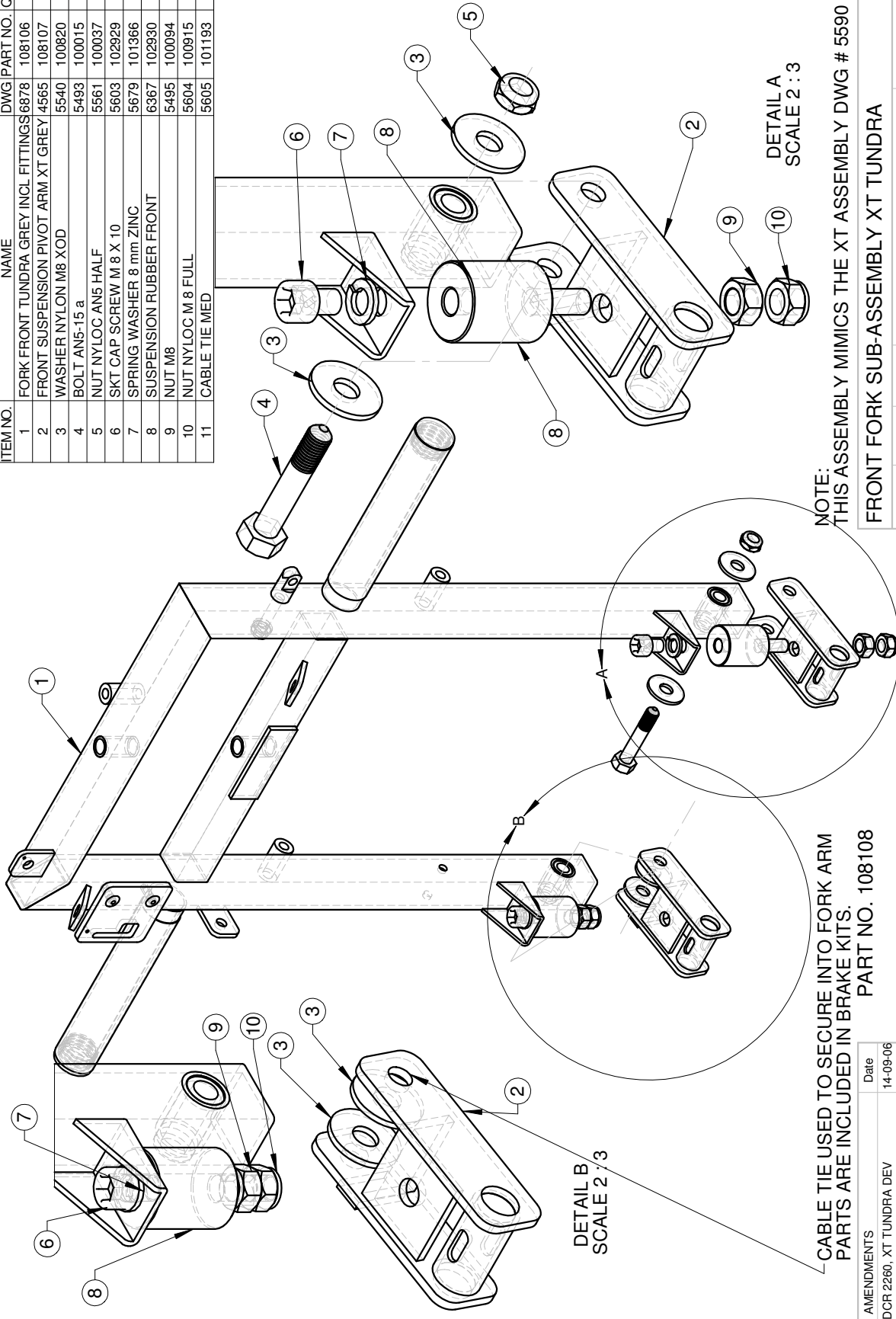
LAST ACCESSED: Monday, 9 July 2007

ALL DIMENSIONS IN MILLIMETERS UNLESS STATED OTHERWISE

Rev	Date
1	27/10/05

AMENDMENTS
1 DCR 2186 REARRANGED ASSEMBLY

ITEM NO.	NAME	DWG PART NO.	QTY.
1	FORK FRONT TUNDRA GREY INCL FITTINGS	6878	1
2	FRONT SUSPENSION PIVOT ARM XT GREY	4565	2
3	WASHER NYLON M8 XOD	5540	4
4	BOLT AN5-15 a	5493	1
5	NUT NYLOC AN5 HALF	5561	1
6	SKT CAP SCREW M 8 X 10	5603	2
7	SPRING WASHER 8 mm ZINC	5679	2
8	SUSPENSION RUBBER FRONT	6367	2
9	NUT M8	5495	2
10	NUT NYLOC M 8 FULL	5604	2
11	CABLE TIE MED	5605	1



Rev	AMENDMENTS	Date
1	DCR 2260, XT TUNDRA DEV	14-09-06
2	DCR 2312, PIVOT BOLT TO BRAKE KIT	27-06-07

NOTE: THIS ASSEMBLY MIMICS THE XT ASSEMBLY DWG # 5590
FRONT FORK SUB-ASSEMBLY XT TUNDRA

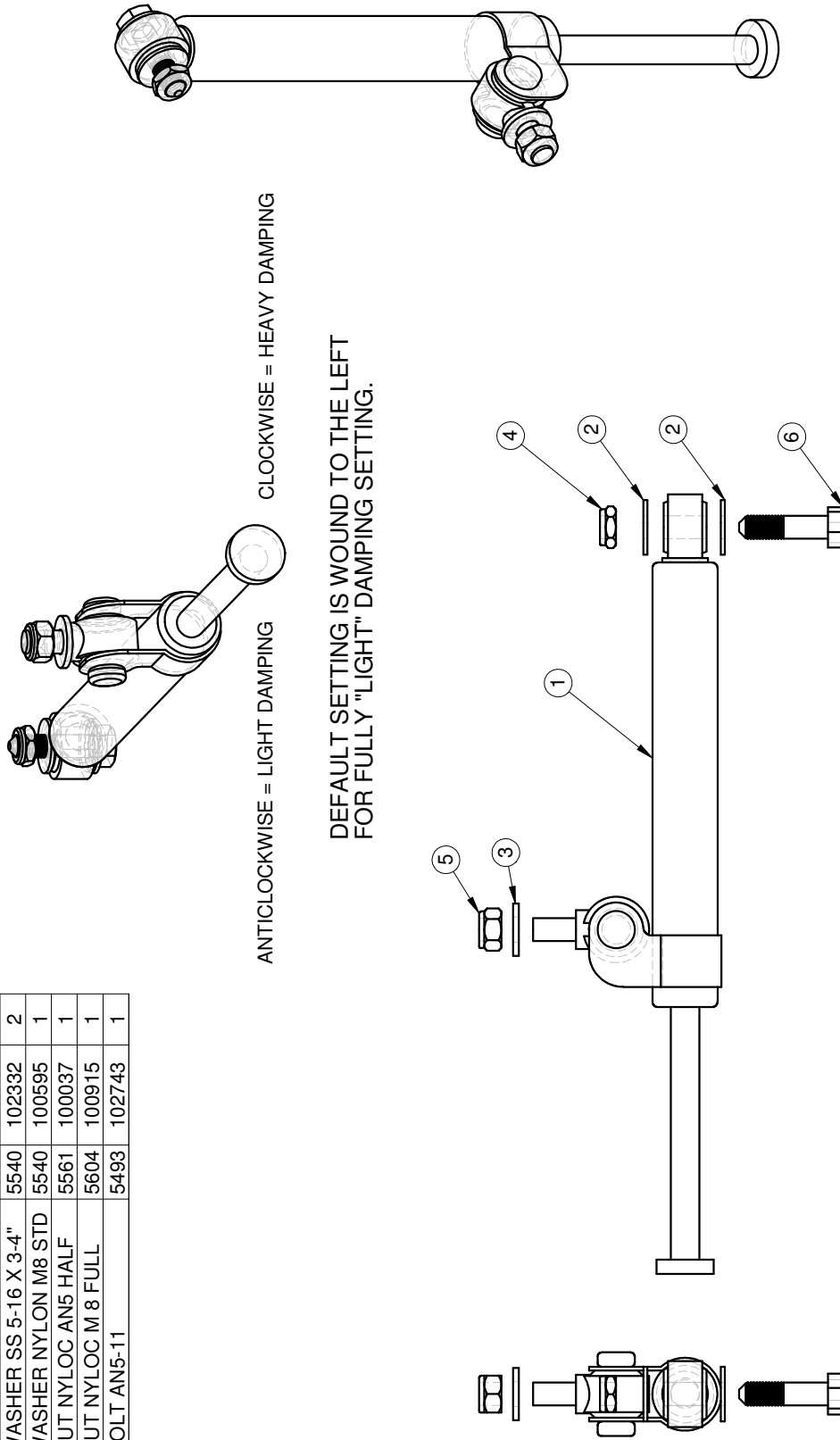
Drawn By: Simon
Scale: 1:3
Date: 14-09-06

AirBorne
AUSTRALIA

6969
SHEET 1 of 1

LAST ACCESSED: Wednesday, 27 June 2007
ALL DIMENSIONS IN MILLIMETERS UNLESS STATED OTHERWISE

ITEM NO.	NAME	DWG	PART NO.	QTY.
1	STEERING DAMPER	5609	100628	1
2	WASHER SS 5-16 X 3-4"	5540	102332	2
3	WASHER NYLON M8 STD	5540	100595	1
4	NUT NYLOC AN5 HALF	5561	100037	1
5	NUT NYLOC M 8 FULL	5604	100915	1
6	BOLT AN5-11	5493	102743	1



Rev	AMENDMENTS	Date

PART NO. 105388 -
 LAST ACCESSED: Monday, 9 July 2007
 ALL DIMENSIONS IN MILLIMETERS UNLESS STATED OTHERWISE

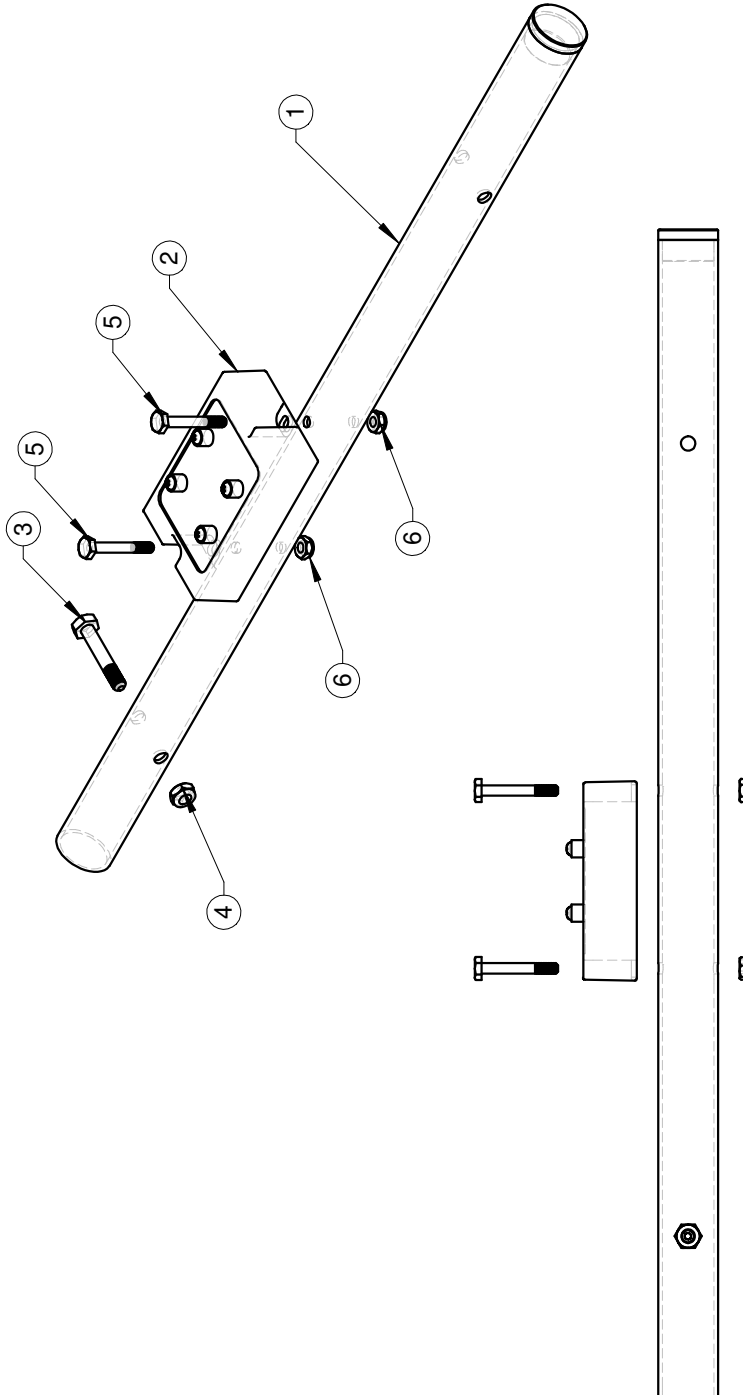
Drawn By	Scale	Date
Cris	1:2	12/05/03

STEERING DAMPER SUB-ASSEMBLY
AirBorne
 AUSTRALIA
 5610
 SHEET 1 of 1

11 MAST BRACE LOWER XT-582

- Drawing # 6802

ITEM NO.	NAME	DWG	PART NO.	QTY.
1	MAST BRACE BOTTOM WITH BUNG XT582	6934	107741	1
2	RECTIFIER/REGULATOR KEYWEST	6803	103845	1
3	BOLT AN4-14 a	5450	100559	1
4	NUT NYLOC AN4 HALF	5561	100035	1
5	Bolt AN3-13 a	5449	100584	2
6	NUT NYLOC AN3 HALF	5561	101334	2



PART NO. 107165

LAST ACCESSED: Monday, 9 July 2007

ALL DIMENSIONS IN MILLIMETERS UNLESS STATED OTHERWISE

Rev	AMENDMENTS	Date
1	MAST BRACE ASM NOW USED DCR2239	13/04/06

MAST BRACE LOWER SUBASM XT582

Drawn By	Scale	Date
Simon	1:3	06.05.05

AirBorne
AUSTRALIA

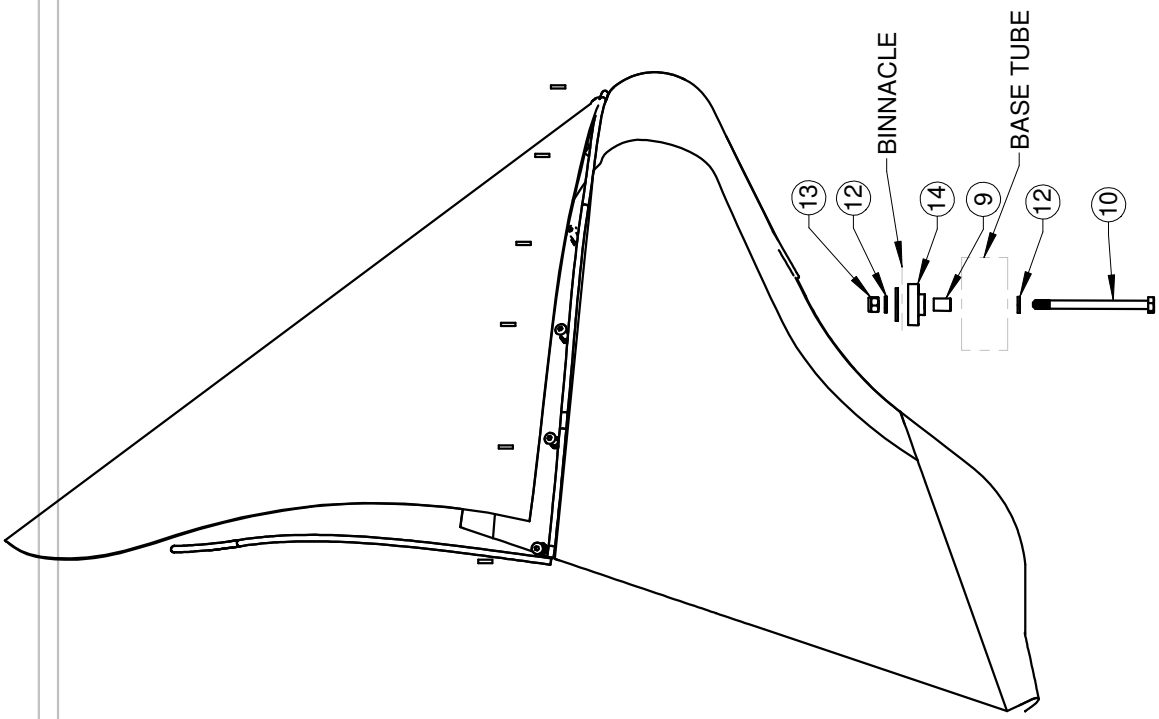
6802
SHEET 1 of 1

12 BINNACLE ASSEMBLY XT582

- **Drawing # 6998**

ITEM NO.	NAME	DWG	PART NO.	QTY.
1	BINNACLE COWL XT - TBA	6997	108159	1
2	WINDSCREEN XT TUNDRA POLYCARB	6985	108134	1
3	EDGE MOULDING 900L	7322	108177	2
4	SKT BUTTON SCREW M5 x 16	5677	103182	11
5	NUT NYLOC M 5 FULL	5604	101365	11
6	GROMMET RUBBER 50x40mm	5974	103201	1
7	GROMMET RUBBER 40x30mm	5974	100903	1
8	PITOT TUBE ASSEMBLY XT OUTBACK TYPE 2	7339	108336	1
9	BUSH 9.5X13LX17-64 SS	5451	108252	1
10	BOLT AN4-34a	5450	100850	1
11	WASHER SS 1-4 X 1"	5540	101455	1
12	WASHER AN4	5540	100042	2
13	NUT NYLOC AN4 FULL	5535	100034	1
14	EXHAUST MOUNT RUBBER	4152	101368	1
15	WASHER NEOPRENE SEAL 12 GAUGE	7331	108301	11

- NOTE:
PART NUMBERS EXIST FOR COLOURS;
- PART # 108178 BINNACLE ASM XT OUTBACK - BLUE
USES PART # 108173 BINNACLE COWL XT - BLUE
 - PART # 108179 BINNACLE ASM XT OUTBACK - YELLOW
USES PART # 108174 BINNACLE COWL XT - YELLOW
 - PART # 108180 BINNACLE ASM XT OUTBACK - RED
USES PART # 108172 BINNACLE COWL XT - RED
 - PART # 108181 BINNACLE ASM XT OUTBACK - CUSTOM
USES PART # 108175 BINNACLE COWL XT - CUSTOM



NOTE: BINNACLE IS BOLTED ON TO THE BASE TUBE
HARDWARE IS NOT SHOWN IN CORRECT POSITION.

Rev	AMENDMENTS	Date
1	DCR 2260, XT TUNDRA DEV	23-10-06

PART NO. 108162

LAST ACCESSED: Tuesday, 10 July 2007

ALL DIMENSIONS IN MILLIMETERS UNLESS STATED OTHERWISE

Drawn By	Scale	Date
Simon	1:5	23-10-06

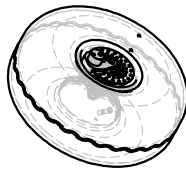
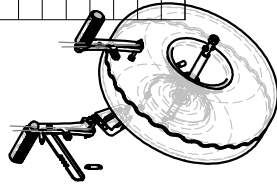
BINNACLE ASM XT OUTBACK - TBA

AirBorne
AUSTRALIA

6998
SHEET 1 of 1

13 BRAKE KIT DISK XT OBACK FITTED	-	Drawing # 7429
13.1 Front Wheel Asm XT Tundra No Brake	-	Drawing # 7431
13.2 Wheel 6IN Incl Tyre For Disk Brake Tundra	-	Drawing # 7408
13.3 Foot Throttle Lever Asm XT Disk Brake	-	Drawing # 7365
13.4 Brake Lever Asm XT Disk Brake	-	Drawing # 7362
13.5 Disk Brake Line Asm	-	Drawing # 7422
13.6 Disk Brake Small Parts For Spares	-	Drawing # 7420

ITEM NO.	NAME	DWG PART NO.	QTY.
1	FRNT WHEEL SUBASM XT TUNDRA NO BRAKE	7431	108565 1
2	BUSH ALLOY 180D 13ID X 10L	5453	108588 1
3	WHEEL 6IN INCL TYRE TUNDRA DISK BRAKE	7408	108551 2
4	NUT NYLOC UNF 5-8"	5506	105444 2
5	SPRING WASHER 5-8"	5679	100600 2
6	FOOT THROTTLE LEVER ASM XT DISK BRAKE	7365	108466 1
7	BRAKE LEVER SUB-ASSEM XT GREY DISK BRAKE	7362	108464 1
8	DISK BRAKE KIT (WIP) FREE BIRD	7344	108469 1
9	DISK BRAKE LINE ASSEMBLY	7422	108586 1
10	Bolt AN3-21 a	5449	101184 1
11	NUT NYLOC AN3 FULL	5535	100051 1
12	WASHER AN3	5540	100049 3
13	SKT CSK SCREW UNF 1-4" x 1"	5568	102062 2
14	NUT NYLOC AN4 FULL	5535	100034 2
15	BRAKE FLUID CASTROL TQ DEXRON III	7423	108510 1
16	CABLE TIE MED	5605	101193 2
17	BOLT AN5-15 a	5493	100015 1
18	NUT NYLOC AN5 HALF	5561	100037 1
19	SCOURER GRIT PLUG MASTER CYL VENT 8.8MM	7468	108626 1



NOTE:
 1. MORE DETAILED INSTRUCTIONS WILL BE ADDED TO THIS ASSEMBLY AT A LATER DATE.
 2. APPROX 200ml OF BRAKE FLUID IS USED TO FILL THE BRAKE SYSTEM, THIS IS REFLECTED IN THE BOM.
 3. AN5-15a BOLT AND AN5 HALF NUT ARE ADDED TO THE FORK PIVOT.

PART NO. 108473

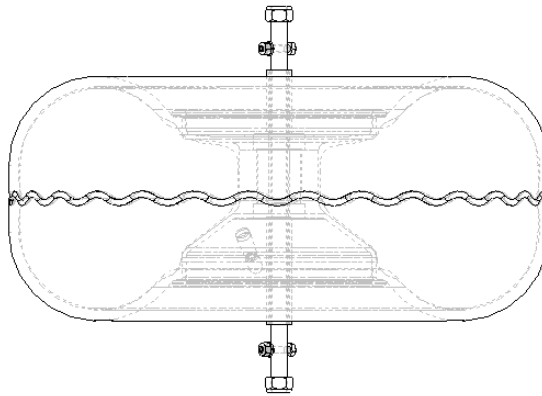
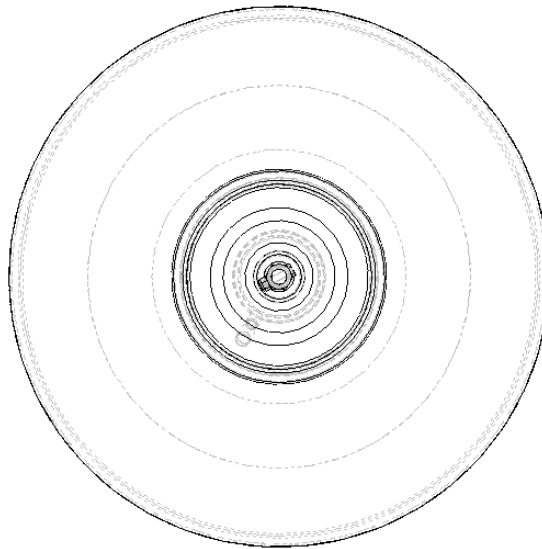
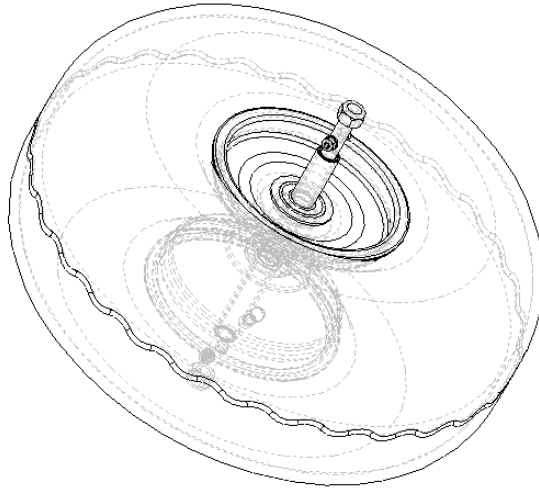
COPIED FROM A4-7416, 30-04-07
 BRAKE KIT DISK XT OUTBACK FITTED

Rev	AMENDMENTS	Date
1	DCR 2312, ADD PIVOT BOLT AND NUT	27-06-07

LAST ACCESSED: Thursday, 26 July 2007
 ALL DIMENSIONS IN MILLIMETERS UNLESS STATED OTHERWISE

Drawn By	Scale	Date		7429 SHEET 1 of 1
Simon	1:15	30-04-07		

ITEM NO.	NAME	DWG PART NO.	QTY.
1	AXLE ASM FRNT EDGE XT TUNDRA NO BRAKE	7430	108566 1
2	Bolt AN3-10 a	5449	102927 2
3	NUT NYLOC AN3 FULL	5535	100051 2
4	WASHER AN3	5540	100049 2
5	NUT NYLOC M 12 FULL - FINE	5604	103612 2
6	WHEEL 6IN INCL TYRE & TUBE TUNDRA	6979	108119 1



COPIED FROM A4-6976, 30-04-07

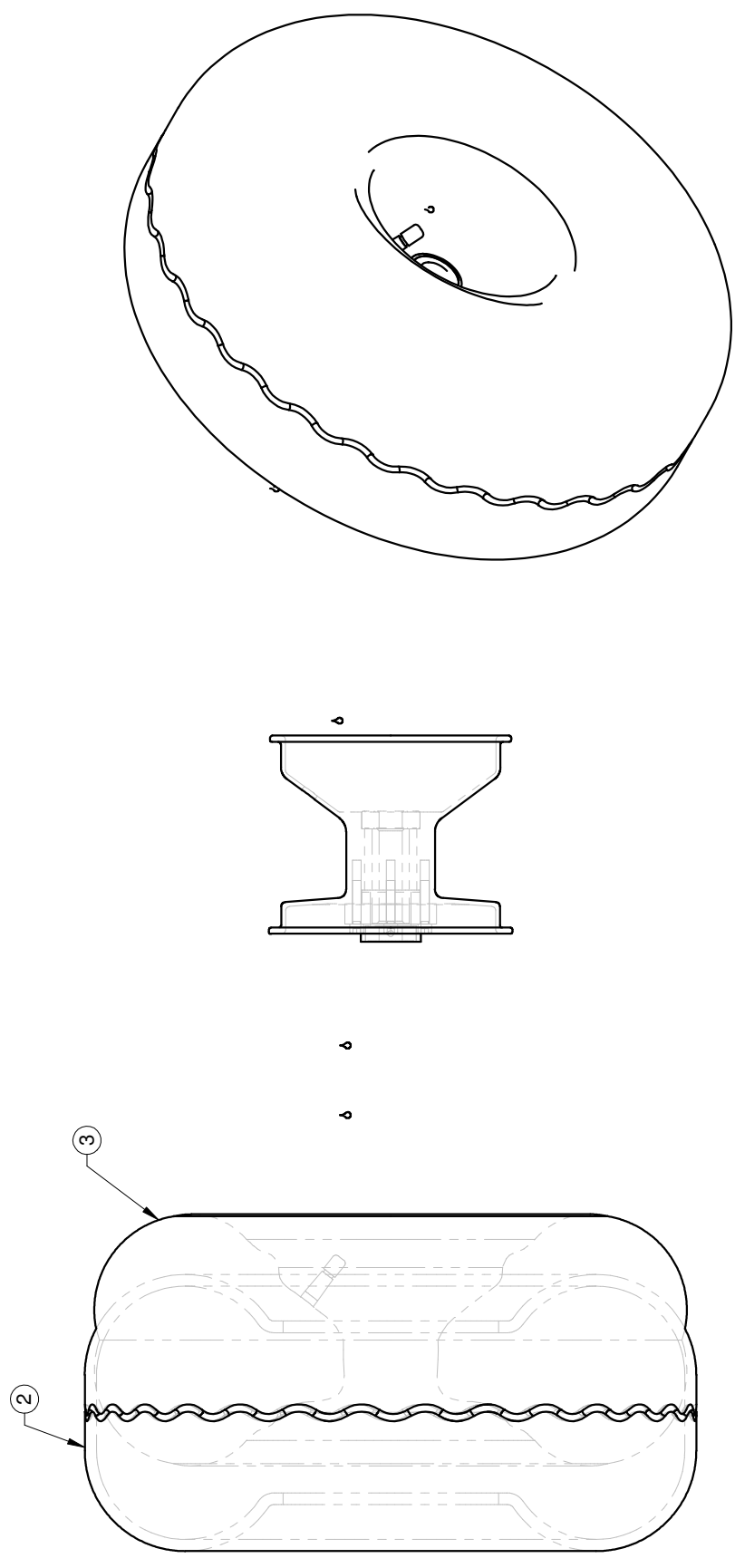
PART NO. 108565
FRNT WHEEL SUBASM XT TUNDRA NO BRAKE

LAST ACCESSED: Monday, 16 July 2007
ALL DIMENSIONS IN MILLIMETERS UNLESS STATED OTHERWISE

Rev	AMENDMENTS	Date

Drawn By	Scale	Date	Part No.	Sheet
Simon	1:5	30-04-07	AirBorne AUSTRALIA	7431 SHEET 1 of 1

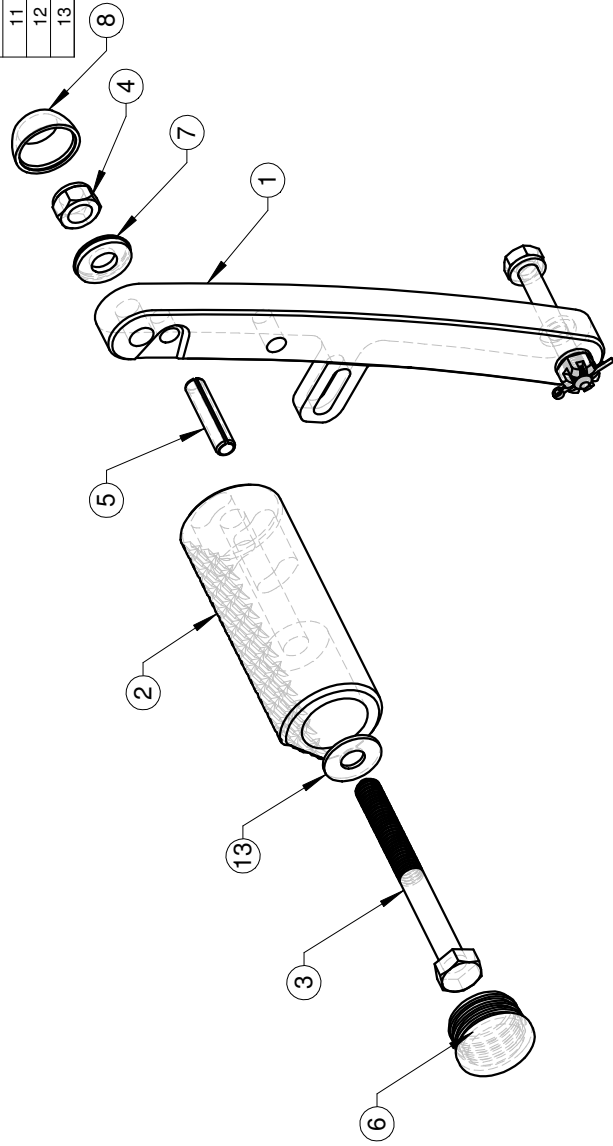
ITEM NO.	NAME	DWG PART NO.	QTY.
1	WHEEL RIM 6IN FOR DISK BRAKES ASM	7458 108674	1
2	TUNDRA TYRE 8.00-6	5558 105244	1
3	TYRE TUBE INNER 8.00x6"	5653 105250	1



WHEEL 6IN INCL TYRE TUNDRA DISK BRAKE			
Drawn By	Scale	Date	7408
Simon	1:4	05-04-07	SHEET 1 of 1

PART NO. 108551 - 0	
Rev	Date
1	25-06-07
DCR 2310 - CHG ASM SEQ, ADD 108674	
LAST ACCESSED: Thursday, 26 July 2007	
ALL DIMENSIONS IN MILLIMETERS UNLESS STATED OTHERWISE	

ITEM NO.	NAME	DWG	PART NO.	QTY.
1	FOOT THROTTLE LEVER TYPE AL XT	7364	108467	1
2	FOOT LEVER ACETAL TOP ARM	7361	108477	1
3	BOLT 8.8 GR M8x80	5935	100908	1
4	NUT NYLOC M 8 FULL	5604	100915	1
5	ROLL PIN 1-4" X 1-8"	5516	102356	1
6	CAP ROUND TUBE CLOSURE 1IN	5633	103225	1
7	CAP WASHER BASE CLIP M8	5667	100604	1
8	CAP WASHER COVER BLK M8	5666	100603	1
9	BOLT AN4-20	5450	105330	1
10	WASHER NYLON 1-4" OBA THICK	5540	102424	3
11	NUT AN4 CASTLE	6297	100040	1
12	SPLIT PIN M2.0 x 20	6296	100308	1
13	WASHER SS 5-16 X 3-4"	5540	102332	1



FOOT THROTTLE LEVER ASM XT DISK BRAKE

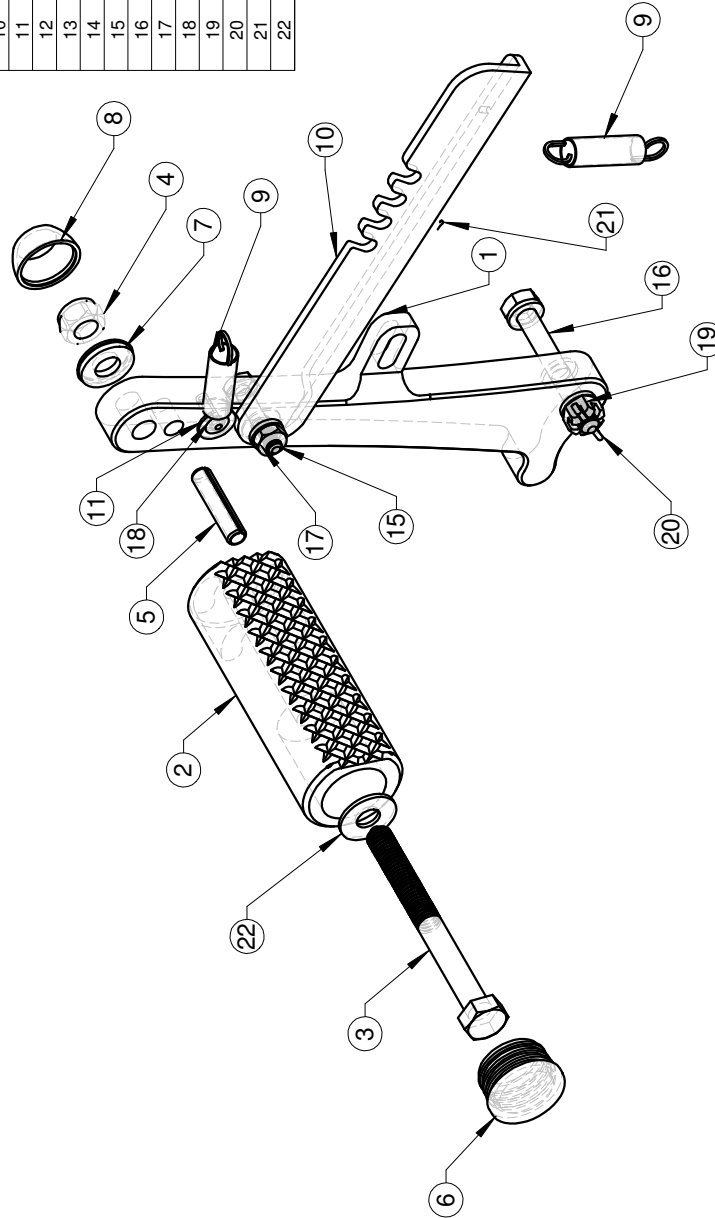
Drawn By	Scale	Date	7365 SHEET 1 of 1
Simon	1:2	27-02-07	

LAST ACCESSED: Monday, 9 July 2007
ALL DIMENSIONS IN MILLIMETERS UNLESS STATED OTHERWISE

PART NO. 108466

Rev	AMENDMENTS	Date

ITEM NO.	NAME	DWG PART NO.	QTY.
1	BRAKE LEVER FOOT TYPE AL XT	7359	108465 1
2	FOOT LEVER ACETAL TOP ARM	7361	108477 1
3	BOLT 8.8 GR M8x80	5935	10908 1
4	NUT NYLOC M 8 FULL	5604	100915 1
5	ROLL PIN 1-4" X 1 1-8"	5516	102356 1
6	CAP ROUND TUBE CLOSURE 1IN	5633	103225 1
7	CAP WASHER BASE CLIP M8	5667	100604 1
8	CAP WASHER COVER BLK M8	5666	100603 1
9	SPRING TENSION T56 - FOOT LEVERS	5556	104779 2
10	PARK BRAKE LEVER	5562	104702 1
11	WASHER SS 3-16 X 1-2"	5540	100569 1
12	WASHER AN3	5540	100049 2
13	WASHER NYLON 1-4" OBA THIN	5540	103961 1
14	WASHER NYLON 1-4" OBA THICK	5540	102424 3
15	Bolt AN3-10 a	5449	102927 1
16	BOLT AN4-20	5450	105330 1
17	NUT NYLOC AN3 HALF	5561	101334 1
18	POP RIVET 5/32" MED (5-5)	5515	100161 1
19	NUT AN4 CASTLE	6297	100040 1
20	SPLIT PIN M2.0 x 20	6296	100308 1
21	DRI LUBE SOLID LUBE	5637	106432 1
22	WASHER SS 5-16 X 3-4"	5540	102332 1



BRAKE LEVER SUB-ASSEM XT GREY DISK BRAKE

PART NO. 108464

LAST ACCESSED: Monday, 9 July 2007
ALL DIMENSIONS IN MILLIMETERS UNLESS STATED OTHERWISE

Rev	AMENDMENTS	Date

Drawn By: Simon
Scale: 1:2
Date: 27-02-07

AirBorne
AUSTRALIA
7362
SHEET 1 of 1

ITEM NO.	NAME	DWG	PART NO.	QTY.
1	PVC TUBE BLACK FOR BRAKE LINE SLEEVE	7421	108585	1
2	DISK BRAKE COMP FIT 1/8 NPT 90 FBI 44840	7420	108581	1
3	DISK BRAKE COMP FIT 1/8 NPT ST FBI 44756	7420	108571	2
4	DISK BRAKE COMPFIT 1/8 NPT TEE FBI 44769	7420	108578	1
5	BRAKE LINE HOSE FBI NO 44743	7420	108703	1
6	PVC TUBE CLEAR 10MM	7421	104561	1
7	CABLE TIE MED	5605	101193	6
8	HOSE BUSH 6ID x 20L	5726	108587	1

NOTE :
THIS IS A VIRTUAL ASSEMBLY
QUANTITIES OF HOSE USED:
1. 108585 - PVC TUBE BLACK FOR BRAKE LINE SLEEVE X 3.8M TOTAL
2. 108568 - BRAKE LINE HOSE FBI NO 44743 X 3.9M TOTAL
3. 104561 - PVC TUBE CLEAR 10MM X 0.24M TOTAL

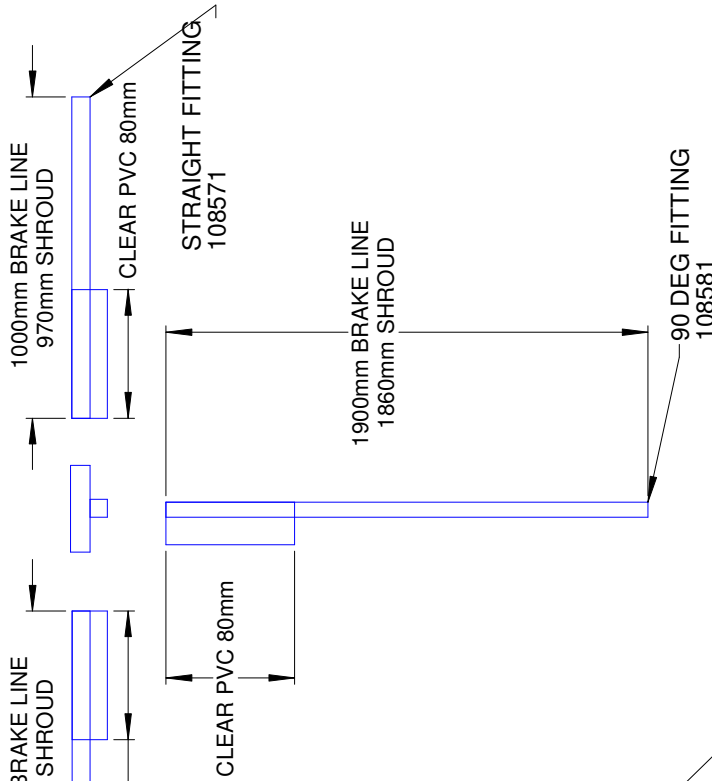


PHOTO SHOWS BRAKE LINE ASSEMBLY
(PLUS OTHER PARTS TO SHOW ASSEMBLY CONTEXT)



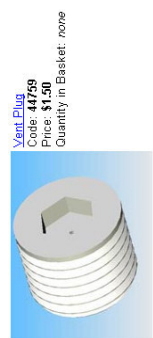
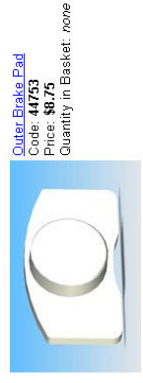
HOSE BUSH 6ID X 20 L PROTECTS FROM
KINKING HYDRAULIC HOSE.
CABLE TIES AT THE END OF THE 10MM CLEAR
PVC TUBE TO HOLD IN PLACE, AND OVER CLEAR
TUBE AND THE TEE PIECE AT OTHER END

Rev	AMENDMENTS	Date	Scale	Date	Part No.
1	DCR 2316 CHG PRT # OF BRAKE LINE	20-07-07	1:2	19-04-07	108586
LAST ACCESSED: Friday, 20 July 2007					
ALL DIMENSIONS IN MILLIMETERS UNLESS STATED OTHERWISE					
DISK BRAKE LINE ASSEMBLY					7422
					SHEET 1 of 1

ITEM NO.	PART NO.	NAME	MATERIAL DESCRIPTION	MATL. NO.	REQD
1	108567	BRAKE CALIPER PISTON FBI NO 44740	NA	NA	NA
1	108703	NAME BRAKE LINE HOSE FBI NO 44743	MATERIAL DESCRIPTION NA	MATL. NO.	REQD NA
1	108569	NAME O-RING BX BRAKE MASTER CYL FBI NO 44749	MATERIAL DESCRIPTION NA	MATL. NO.	REQD NA
1	108570	NAME BRAKE PAD DISK BX OUTER FBI NO 44753	MATERIAL DESCRIPTION NA	MATL. NO.	REQD NA
1	108571	NAME DISK BRAKE COMP FIT 1/8 NPT ST FBI 44756	MATERIAL DESCRIPTION NA	MATL. NO.	REQD NA
1	108572	NAME PLUG MASTER CYL BX 1/4" NPT FBI 44758	MATERIAL DESCRIPTION NA	MATL. NO.	REQD NA
1	108573	NAME PLUG MASTER CYL VENT 1/4" NPT FBI 44759	MATERIAL DESCRIPTION NA	MATL. NO.	REQD NA
1	108574	NAME PLUG MASTER CYL BX 1/8" NPT FBI 44760	MATERIAL DESCRIPTION NA	MATL. NO.	REQD NA
1	108575	NAME DISK BRAKE MAST CYL RTN SPRING FBI 44761	MATERIAL DESCRIPTION NA	MATL. NO.	REQD NA
1	108576	NAME O-RING BRAKE CALIPER PISTON FBI 44765	MATERIAL DESCRIPTION NA	MATL. NO.	REQD NA
1	108577	NAME SCREW BRAKE BLEEDER FBI 44767	MATERIAL DESCRIPTION NA	MATL. NO.	REQD NA
1	108578	NAME DISK BRAKE COMPFIT 1/8 NPT TEE FBI 44769	MATERIAL DESCRIPTION NA	MATL. NO.	REQD NA

PRICES SHOWN ARE IN USD AND MAY NOT BE ACCURATE.

FEEL FREE TO PURCHASE THESE SPARE PARTS DIRECT FROM <http://flyfbi.com>



THESE ARE VIRTUAL PARTS

PART NO. 108567

DISK BRAKE PARTS FROM FBI

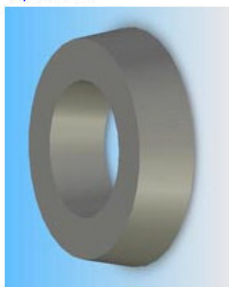
Rev	AMENDMENTS	Date
1	DCR 2316 - CHG PART # OF BRAKE LINE	20-07-07

LAST ACCESSED: Friday, 20 July 2007
ALL DIMENSIONS IN MILLIMETERS UNLESS STATED OTHERWISE

Drawn By	Scale	Date	7420 SHEET 1 of 2
Simon	1:4	19-04-07	



ITEM NO.	PART NO.	NAME	MATERIAL DESCRIPTION	MATL. NO.	REQD
1	108579	MASTER CYLINDER CUP SEAL FBI NO 44776	NA	NA	NA
ITEM NO. PART NO. NAME MATERIAL DESCRIPTION MATL. NO. REQD					
1	108580	MASTER CYL CUP SEAL WASHER FBI 44777	NA	NA	NA
1	108581	DISK BRAKE COMP FIT 1/8 NPT 90 FBI 44840	NA	NA	NA
ITEM NO. PART NO. NAME MATERIAL DESCRIPTION MATL. NO. REQD					
1	108582	BRAKE PAD DISK BX INNER FBI 44751-1	NA	NA	NA
ITEM NO. PART NO. NAME MATERIAL DESCRIPTION MATL. NO. REQD					
1	108583	BRAKE PAD INNER PLATE FBI NO 44752-1	NA	NA	NA
ITEM NO. PART NO. NAME MATERIAL DESCRIPTION MATL. NO. REQD					
1	108584	WASHER AN10 FBI NO AN960-1016	NA	NA	NA



Cup Seal
Code: **44776**
Price: **\$7.75**
Quantity in Basket: none

PRICES SHOWN ARE IN USD AND MAY NOT BE ACCURATE. FEEL FREE TO PURCHASE THESE SPARE PARTS DIRECT FROM <http://flybi.com>



Cup Seal Washer
Code: **44777**
Price: **\$1.00**
Quantity in Basket: none



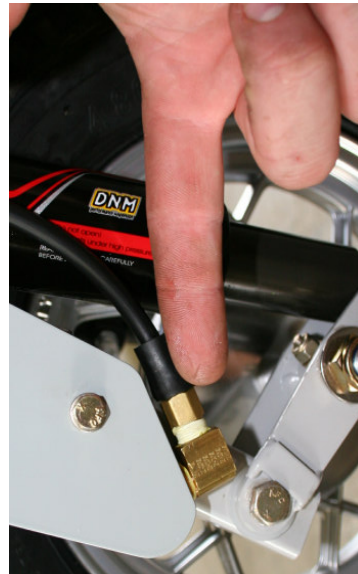
Inner Brake Pad
Code: **44751-1**
Price: **\$8.75**
Quantity in Basket: none



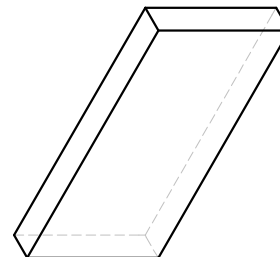
Inner brake pad backing plate
Code: **44752-1**
Price: **\$8.00**
Quantity in Basket: none



AN10 Washer
Code: **AN960-1016**
Price: **\$0.30**
Quantity in Basket: none



FBI PART NO 44840 90 DEG FITTING



PART NO. 108579

LAST ACCESSED: Friday, 20 July 2007
ALL DIMENSIONS IN MILLIMETERS UNLESS STATED OTHERWISE

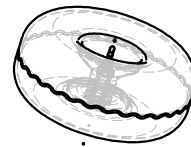
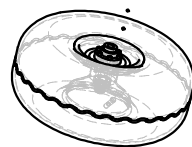
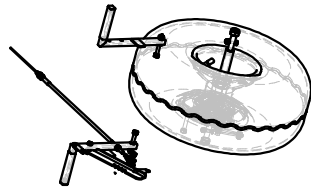
DISK BRAKE PARTS FROM FBI

Drawn By: Simon
Scale: 1:2
Date: 19-04-07
AirBorne
AUSTRALIA
7420
SHEET 2 of 2

14 BRAKE KIT DRUM XT TUNDRA FITTED - Drawing # 7433

- 14.1 Front Wheel Asm XTTundra Drum Brake - Drawing # 7434*
- 14.2 Foot Throttle Lever Asm XT 3 Hole - Drawing # 6774*
- 14.3 Brake Lever Sub Asm XT Grey - Drawing # 5550*
- 14.4 Wheel 6IN Incl Tyre For Disk Brake Tundra - Drawing # 7408*

ITEM NO.	NAME	DWG PART NO.	QTY.
1	FRNT WHEEL SUBASM XT TUNDRA DRUM BRAKE	7434	108605 1
2	FOOT THROTTLE LEVER ASSEM XT 3 HOLE	6774	107046 1
3	BRAKE LEVER SUB-ASSEM TUNDRA GREY	5550	108109 1
4	NUT NYLOC UNF 5-8"	5506	105444 2
5	SPRING WASHER 5-8"	5679	100600 2
6	BUSH ALLOY 300D 5-8"ID X 9L	5453	108589 2
7	WHEEL 6IN INCL TYRE TUNDRA DISK BRAKE	7408	108551 2
8	BOLT AN5-20 a	5493	100016 1
9	SPACER BRAKE STOP PIN SS (TUNDRA)	5451	106258 1
10	WASHER SS 5-16 X 3-4"	5540	102332 1
11	NUT NYLOC AN5 HALF	5561	100037 1



NOTE:
1. AN5-15a BOLT SS SPACER WASHER AND AN5 HALF NUT ARE ADDED TO THE FORK PIVOT.

COPIED FROM A4-7418, 30-04-07

PART NO. 108420

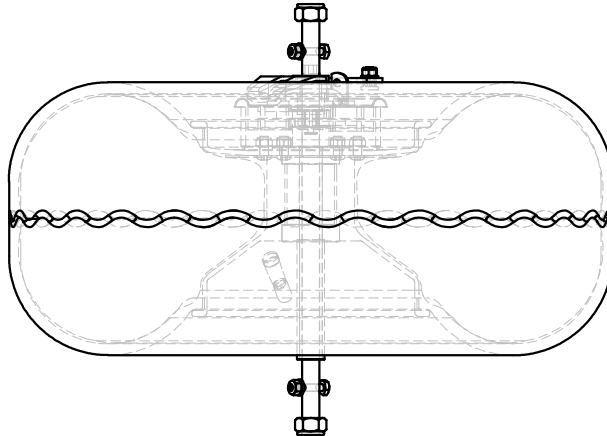
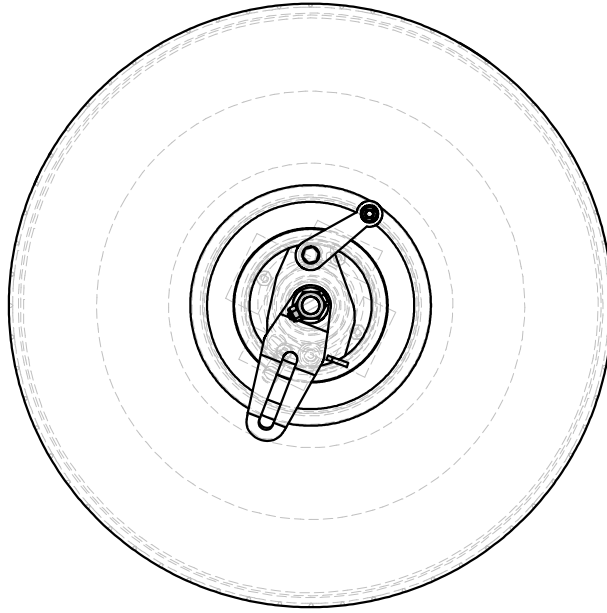
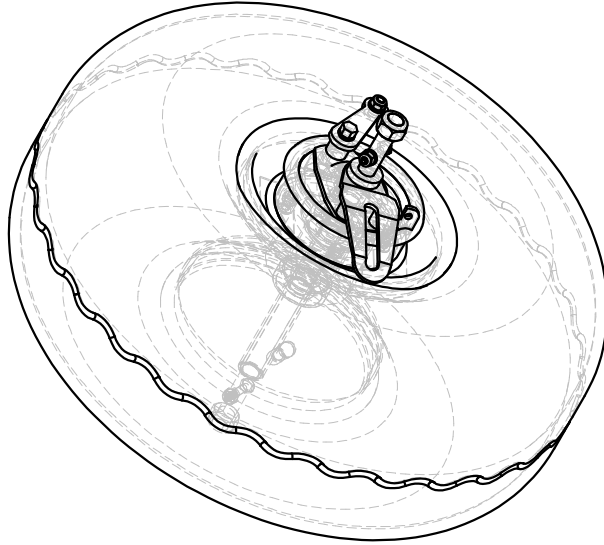
AirBorne
AUSTRALIA

7433
SHEET 1 of 1

Rev	AMENDMENTS	Date
1	DCR 2312, ADD FORK PIVOT PARTS	27-06-07

LAST ACCESSED: Thursday, 26 July 2007
ALL DIMENSIONS IN MILLIMETERS UNLESS STATED OTHERWISE

ITEM NO.	NAME	DWG	PART NO.	QTY.
1	AXLE ASM FRONT EDGE X-XT TUNDRA	6977	108116	1
2	Bolt AN3-10 a	5449	102927	2
3	NUT NYLOC AN3 FULL	5535	100051	2
4	WASHER AN3	5540	100049	2
5	NUT NYLOC M 12 FULL - FINE	5604	103612	2
6	TUNDRA RIM-DRUM SUB-ASSEM	6369	106261	1



COPIED FROM A4-6976, 30-04-07

FRNT WHEEL SUBASM XT TUNDRA DRUM BRAKE

Drawn By	Scale	Date		7434	SHEET 1 of 1
Simon	1:5	30-04-07			

PART NO. 108605

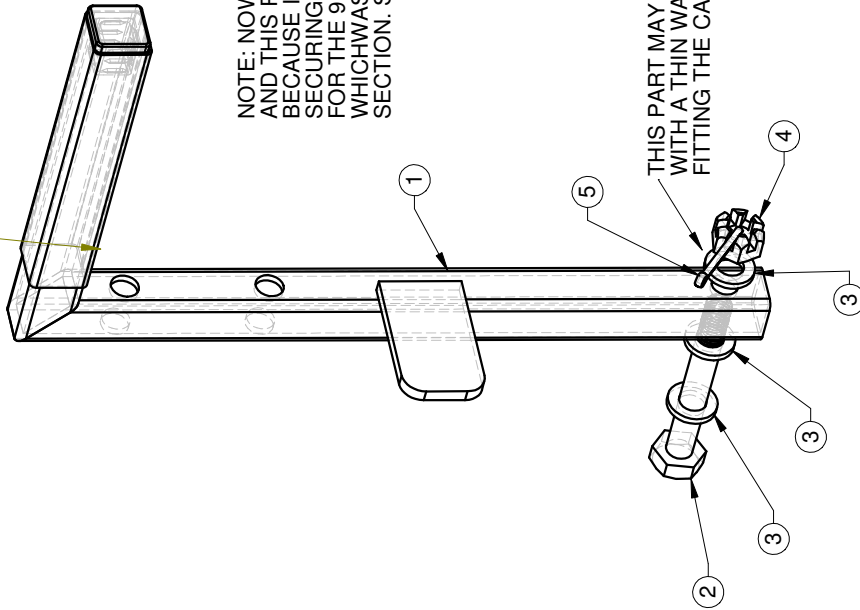
LAST ACESSED: Tuesday, 1 May 2007

ALL DIMENSIONS IN MILLIMETERS UNLESS STATED OTHERWISE

Rev	AMENDMENTS	Date

ITEM NO.	NAME	DWG PART NO.	QTY.
1	FOOT THROTTLE LEVER 3 HOLE GRY INC FITS	6972	107227 1
2	BOLT AN4-20	5450	105330 1
3	WASHER NYLON 1-4" OBA THICK	5540	102424 3
4	NUT AN4 CASTLE	6297	100040 1
5	SPLIT PIN M2.0 x 20	6296	100308 1

CABLE GOES BETWEEN WASHERS FOR THOTTLE CABLE, FOR DETAILS SEE TC A4-5425 FOR XT-912 SEE TC A4-6766 FOR XT-582



NOTE: NOW HARDWARE IS MOVED TO THROTTLE CABLE ASM AND THIS PART IS USED FOR BOTH 582 AND 912 TRIKES BECAUSE IT IS THE SAME EXCEPT FOR POSITION OF CABLE SECURING BOLT. FOR THE 912 THIS PART REPLACES THE OLD PART # 105319, WHICH WAS MADE WITH ONLY ONE HOLE IN THE VERTICAL SECTION. SEE DCR 2261.

THIS PART MAY BE INTERCHANGED WITH A THIN WASHER TO ASSIST IN FITTING THE CASTLETED NUT.

NOTE PART # 108110 IS NOW OBSOLETE, SAME PART # USED FOR THE 912 AND 582 XT MODELS, POSITION OF THE CABLE SECURING BOLT IS PART OF THE ASSEMBLY PROCESS AT A HIGHER LEVEL.

Rev	AMENDMENTS	Date
1	DCR 2159, GENERIC THROTTLE TYPE	03-06-05
2	DCR 2260, TUNDRA XT	15-09-06
3	DCR 2261, ALL THROTT VERTS 3 HOLE	15-09-06
4	DCR 2263 ASM RESTURCTURE, RENAME, OBSOLETE 108110.	06-12-06

PART NO. 107046 - FOR ALL XT SERIES

LAST ACCESSED: Friday, 20 July 2007

ALL DIMENSIONS IN MILLIMETERS UNLESS STATED OTHERWISE

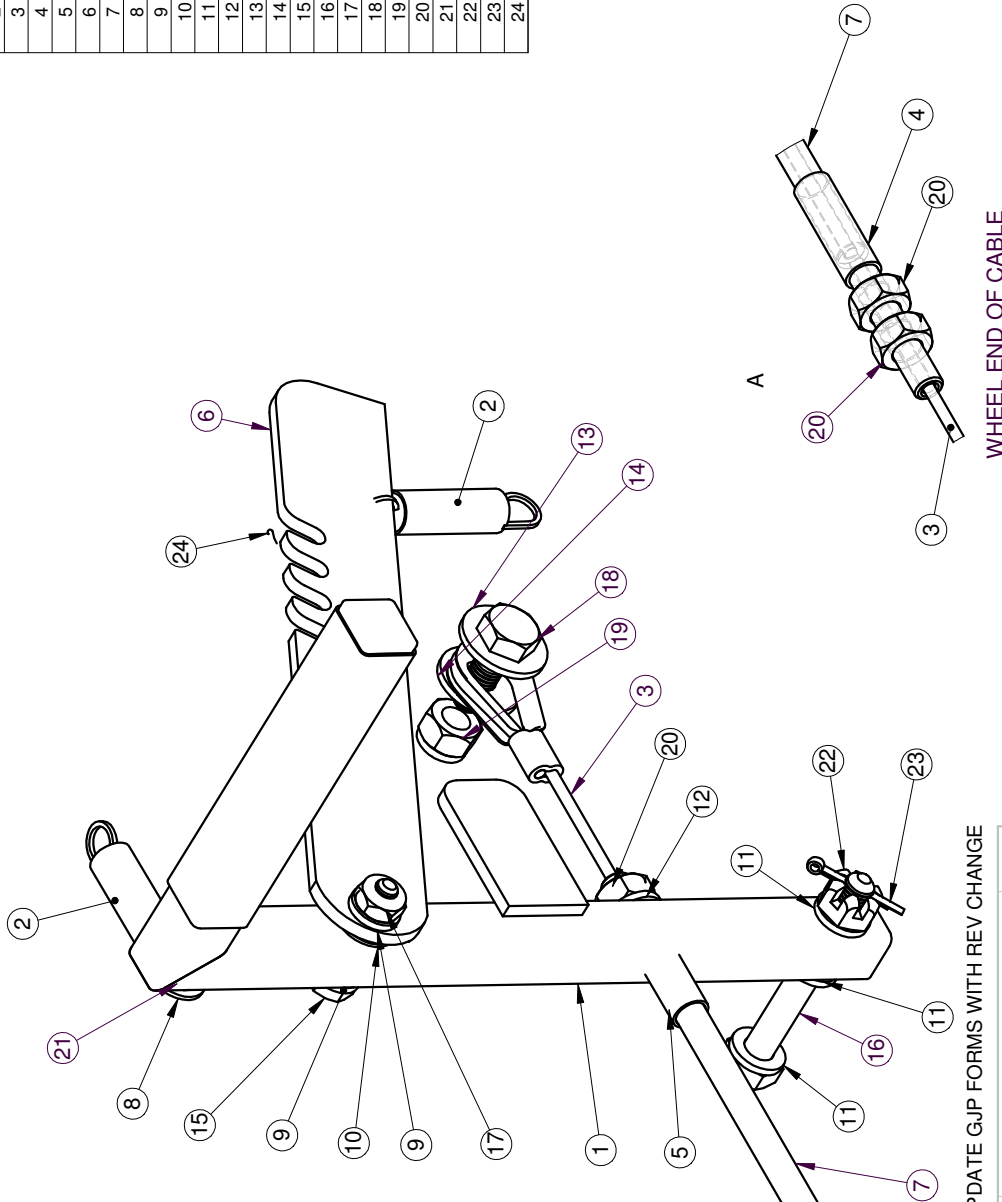


FOOT THROTTLE LEVER ASSEM XT 3 HOLE

Drawn By	Scale	Date	6774 SHEET 1 of 2
Cris	1:1.5	01/03/05	

AirBorne
AUSTRALIA

ITEM NO.	NAME	DWG PART NO.	QTY.
1	BRAKE LEVER FOOT TYPE 2 XT GREY	5548	105278 1
2	SPRING TENSION T56 - FOOT LEVERS	5556	104779 2
3	BRAKE CABLE INNER EDGE X/XT	5573	102906 1
4	CABLE ADJUSTING SCREW 6.35 OUTER	5559	102222 1
5	CABLE ADJUSTER FRONT BRAKE	5559	102904 1
6	PARK BRAKE LEVER	5562	104702 1
7	CASING CABLE OUTER 6.35D x 325L	5581	102905 1
8	WASHER SS 3-16 X 1-2"	5540	100569 1
9	WASHER AN3	5540	100049 2
10	WASHER NYLON 1-4" OBA THIN	5540	103961 1
11	WASHER NYLON 1-4" OBA THICK	5540	102424 3
12	WASHER AN4	5540	100042 1
13	WASHER SS 1-4 X 3-4"	5540	102018 1
14	WASHER NYLON M6 XOD	5540	101055 1
15	Bolt AN3-10 a	5449	102927 1
16	BOLT AN4-20	5450	105330 1
17	NUT NYLOC AN3 HALF	5561	101334 1
18	BOLT AN4-6	5450	100002 1
19	NUT NYLOC AN4 FULL	5535	100034 1
20	NUT UNF ZINC 1-4"	5506	103157 3
21	POP RIVET 5/32" MED (5-5)	5515	100161 1
22	NUT AN4 CASTLE	6297	100040 1
23	SPLIT PIN M2.0 x 20	6296	100308 1
24	DRI LUBE SOLID LUBE	5637	106432 1



UPDATE GJP FORMS WITH REV CHANGE

Rev	AMENDMENTS	Date
1	CASTLE NUT/SPLIT PIN, OBA THICK WASHER (DCR2007)	27/08/04
2	DCR 2181, MOVED PARTS TO DWG 6876, 6877, 6881	04-11-05
3	DCR 2186, MOVED PARTS TO DWG 5548	23-11-05
4	DCR 2204, ADD DRI LUBE	20-01-06
5	DCR 2260, TUNDRA XT ADDED	15-09-06

PART NO. 105279 -

LAST ACCESSED: Monday, 9 July 2007

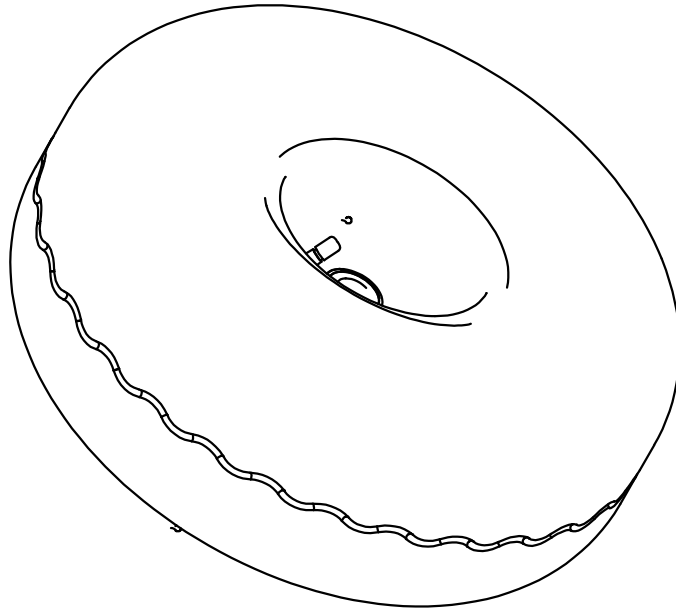
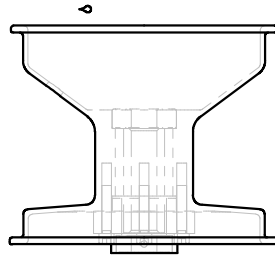
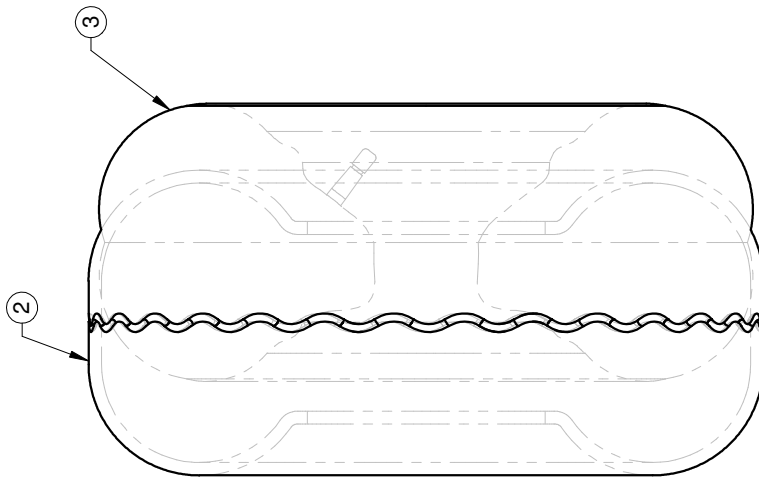
ALL DIMENSIONS IN MILLIMETERS UNLESS STATED OTHERWISE

BRAKE LEVER SUB-ASSEMB XT GREY

Drawn By: Simon
Scale: 1:1.3
Date: 03/05/03

AirBorne
AUSTRALIA
5550
SHEET 1 of 3

ITEM NO.	NAME	DWG PART NO.	QTY.
1	WHEEL RIM 6IN FOR DISK BRAKES ASM	7458 108674	1
2	TUNDRA TYRE 8.00-6	5558 105244	1
3	TYRE TUBE INNER 8.00x6"	5653 105250	1



WHEEL 6IN INCL TYRE TUNDRA DISK BRAKE

PART NO. 108551 - 0

Rev	AMENDMENTS	Date
1	DCR 2310 - CHG ASM SEQ, ADD 108674	25-06-07

LAST ACCESSED: Thursday, 26 July 2007

ALL DIMENSIONS IN MILLIMETERS UNLESS STATED OTHERWISE

Drawn By	Scale	Date
Simon	1:4	05-04-07

AirBorne
AUSTRALIA

7408
SHEET 1 of 1

15 PROP BOLLY CARBON XT-582 - Drawing # 7426

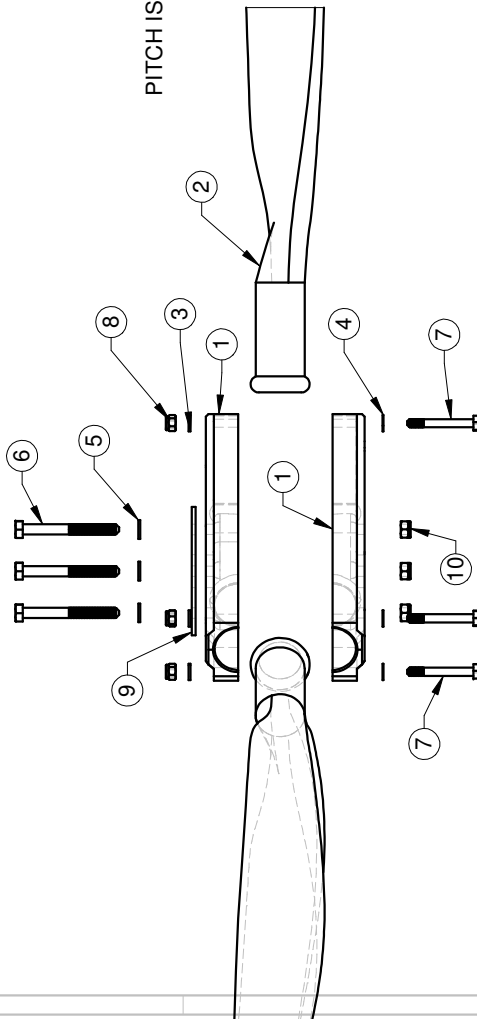


CAUTION:
SEE MAINTENANCE MANUAL SECTION 61.
FOR CORRECT PROPELLER SETUP.

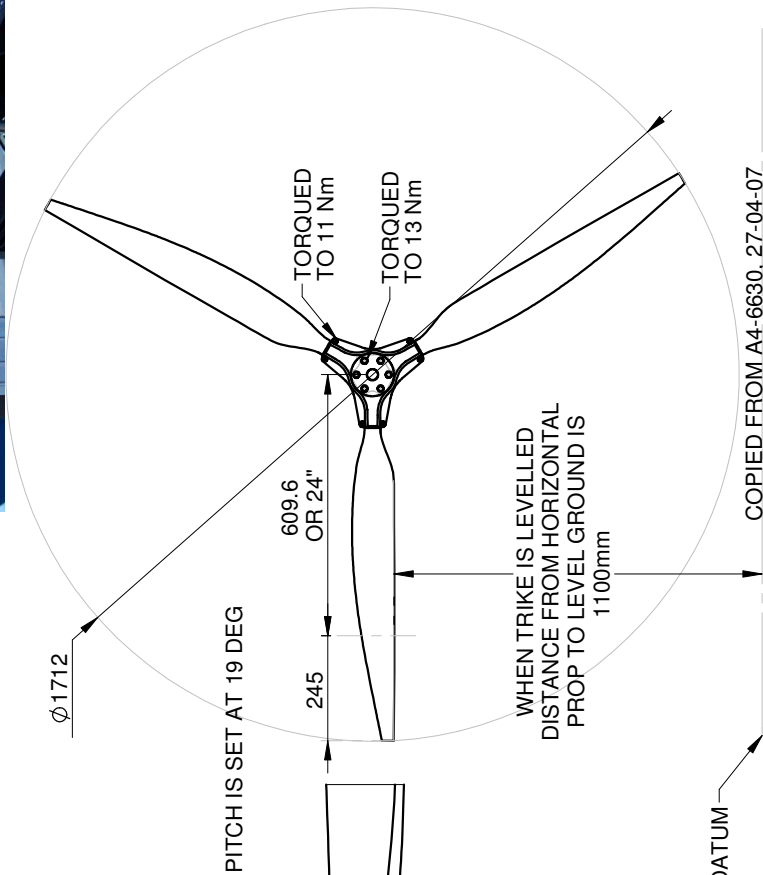
PHOTO: LEVELLING OF TRIKE
TO 90 DEG: USE A SPACER
UNDERNEATH FRONT WHEEL.

ITEM NO.	NAME	DWG	PART NO.	QTY.
1	BOLLY BOS3 HUB 30 ANODISED	5800	107134	2
2	PROPELLER BLADE BOLLY RH 68"DX58"	5925	106841	3
3	WASHER AN4	5540	100042	6
4	WASHER AN4 THIN (BOLLY)	5540	106766	6
5	WASHER M8 (BOLLY)	5540	106768	6
6	BOLT 8.8 GR M8x75	5935	103255	6
7	BOLT AN4-20 a	5450	100006	6
8	NUT NYLOC AN4 FULL	5535	100034	6
9	BOLLY PROP FRONT PLATE WASHER XT582	6835	107221	1
10	NUT NYLOC M 8 FULL	5604	100915	6

NOTE:
BOLLY HUB ASSEMBLY AB PART # 107222
PURCHASED FROM BOLLY. INCLUDED IN BOM.



NB: THIN WASHERS GO UNDERNEATH THE HEAD OF THE BOLT.
REGULAR AN4 WASHERS GO UNDER THE NUT.



Rev AMENDMENTS

Rev	AMENDMENTS	Date

PART NO. 108423 - STND BLADES

LAST ACCESSED: Tuesday, 10 July 2007

ALL DIMENSIONS IN MILLIMETERS UNLESS STATED OTHERWISE

Drawn By: Simon
Scale: 1:6
Date: 27-04-07

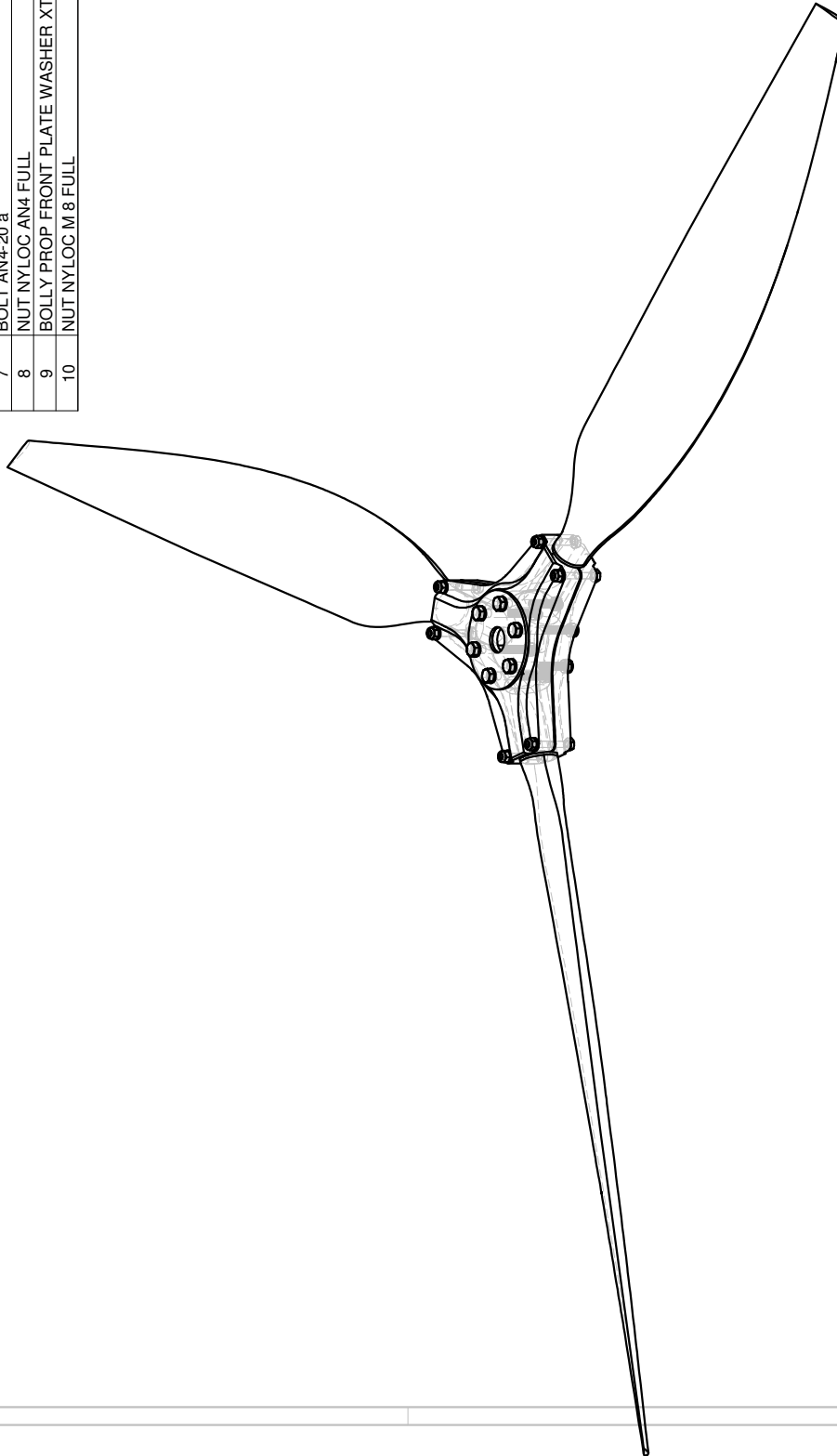
AirBorne AUSTRALIA

7426
SHEET 1 of 2

PROP INSTALLATION BOLLY RH 582 STND

COPIED FROM A4-6630, 27-04-07

ITEM NO.	NAME	DWG PART NO.	QTY.
1	BOLLY BOS3 HUB 30 ANODISED	5800	107134 2
2	PROPELLER BLADE BOLLY RH 68"DX58"	5925	106841 3
3	WASHER AN4	5540	100042 6
4	WASHER AN4 THIN (BOLLY)	5540	106766 6
5	WASHER M8 (BOLLY)	5540	106768 6
6	BOLT 8.8 GR M8x75	5935	103255 6
7	BOLT AN4-20 a	5450	100006 6
8	NUT NYLOC AN4 FULL	5535	100034 6
9	BOLLY PROP FRONT PLATE WASHER XT582	6835	107221 1
10	NUT NYLOC M 8 FULL	5604	100915 6



PROP INSTALLATION BOLLY RH 582 D-TUF

Drawn By: Simon
Scale: 1:6
Date: 17-04-07
7426
SHEET 2 of 2

PART NO. 108424 - D-TUF BLADES

LAST ACCESSED: Tuesday, 10 July 2007
ALL DIMENSIONS IN MILLIMETERS UNLESS STATED OTHERWISE

Rev	AMENDMENTS	Date

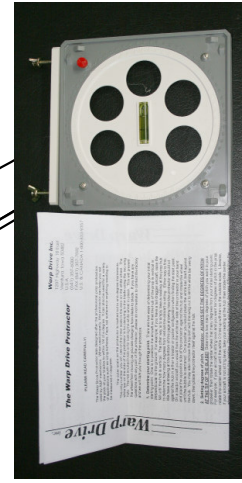
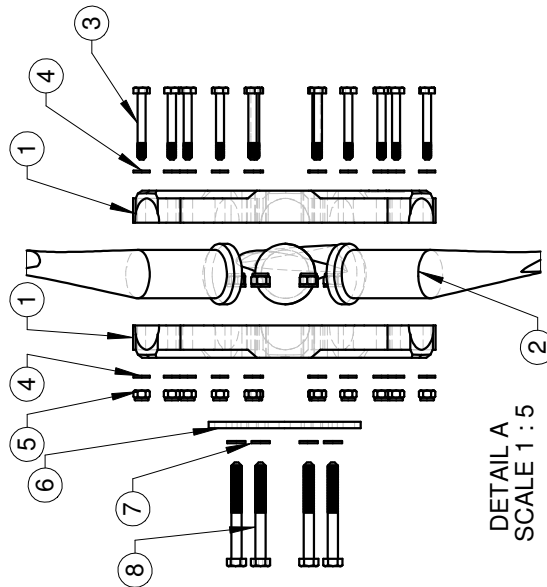
16 PROP WARP DRIVE XT-582

- Drawing # 7440

ITEM NO.	NAME	DWG	PART NO.	QTY.
1	WARP DRIVE HUB WDHPL3 582 GENERIC	7445	108643	2
2	PROP BLADE WARP DRIV RH 68IND 582	108643	108638	3
3	BOLT AN4-20 a	5450	100006	12
4	WASHER AN4	5540	100042	24
5	NUT NYLOC AN4 FULL	5535	100034	12
6	PROP COVER WASHER PLATE ROTAX 582	7446	108642	1
7	WASHER AN5	5540	100043	12
8	BOLT 8.8 GR M8x75	5935	103255	6
9	NUT NYLOC AN5 FULL	5535	100036	6
10	WARP DRIVE PROTRACTOR	7448	108634	1

NOTE: THIS IS THE BOM FOR PART # 108641
 PART # 108643 - WARP DRIVE HUB WDHPL3 582 GENERIC (X2)
 PART # 100006 - BOLT AN4-20A
 PART # 100042 - WASHER AN4
 PART # 100034 - NUT NYLOC AN4 FULL
 PART # 103255 - BOLT 8.8 GR M 8 X 75
 PART # 100043 - WASHER AN5
 PART # 100036 - NUT NYLOC AN5 FULL
 THESE PARTS ARE RECEIVED AS A COPRODUCT OF PART # 108630 / 1 UNDER ONE PART # : 108641 - PROP HUB COMPLETE WARP DRIVE 582
 FURTHERMORE THEY ARE ONLY USED IN THE VISUAL MANUFACTURING SYSTEM AS THAT ONE PART #.

FOR ASSEMBLY INSTRUCTIONS AND TORQUE SETTINGS SEE ENGINEERING REPORT 07/32/TD AND THE XT582-B MAINTENANCE MANUAL PROPELLER SECTION.



PART NO. 108621

Rev	AMENDMENTS	Date

LAST ACCESSED: Thursday, 19 July 2007
 ALL DIMENSIONS IN MILLIMETERS UNLESS STATED OTHERWISE

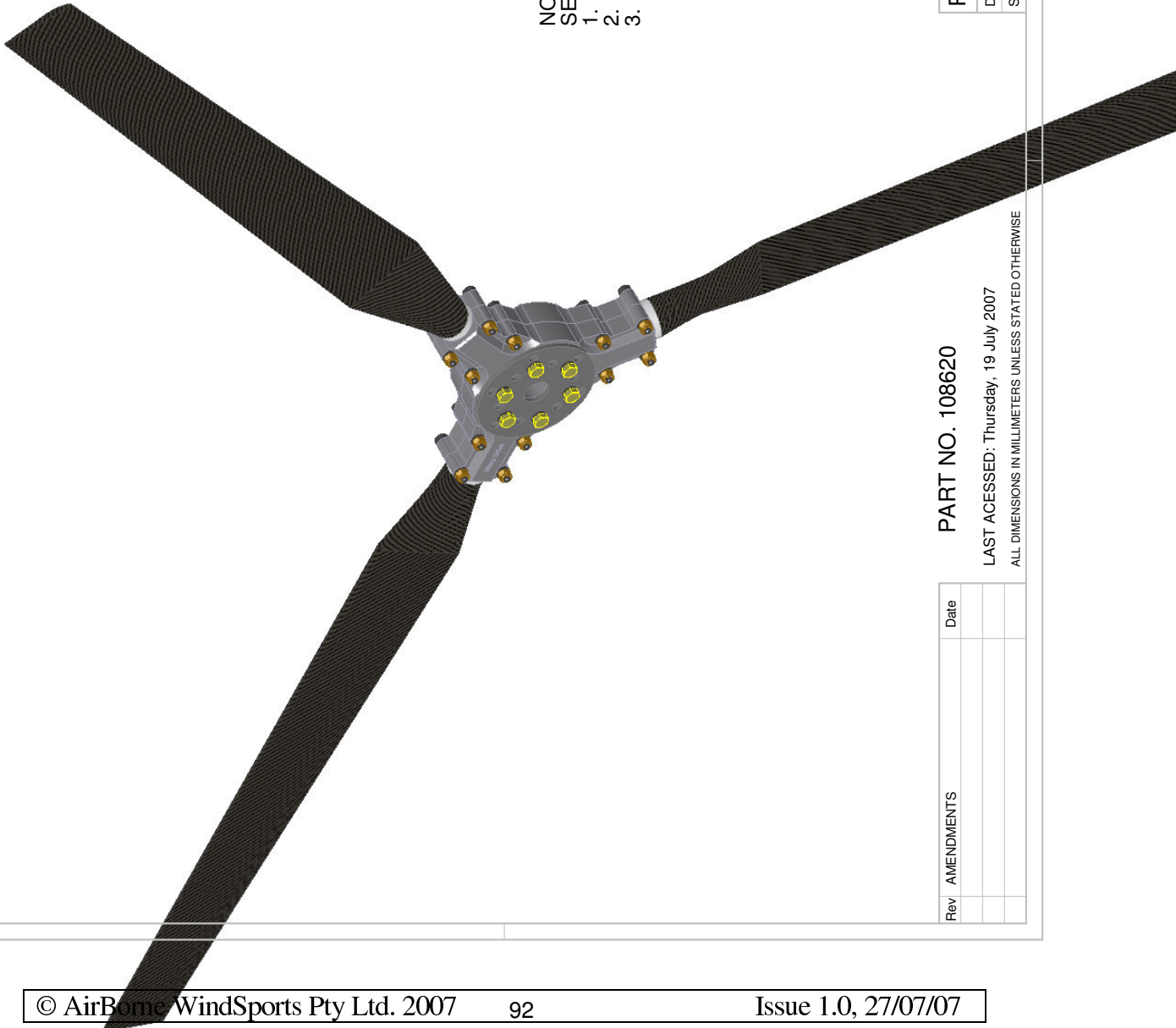
Drawn By: Simon
 Scale: 1:10
 Date: 31-05-07

AirBorne
AUSTRALIA

7440
SHEET 1 of 2

PROP INSTALL WARP DRIVE RH 582 NICKEL

ITEM NO.	NAME	DWG	PART NO.	QTY.
1	WARP DRIVE HUB WDHL3 582 GENERIC	7445	108643	2
2	PROP BLADE WARP DRIV RH 68IND 582 STND	108637	108637	3
3	BOLT AN4-20 a	5450	100006	12
4	WASHER AN4	5540	100042	24
5	NUT NYLOC AN4 FULL	5535	100034	12
6	PROP COVER WASHER PLATE ROTAX 582	7446	108642	1
7	WASHER AN5	5540	100043	12
8	BOLT 8.8 GR M8x75	5935	103255	6
9	NUT NYLOC AN5 FULL	5535	100036	6
10	WARP DRIVE PROTRACTOR	7448	108634	1
11	PROP BLADE TAPE WARP DRIVE KIT	7449	108646	1



NOTE:
SEE NOTES ON SHEET 1 REGARDING
COPRODUCT RECEIPT AND USE
1. INSTALLATION INSTRUCTIONS
3. INSTALLATION DRAWING.

PROP INSTALL WARP DRIVE RH 582 STND			
Drawn By	Scale	Date	7440
Simon	1:5	31-05-07	SHEET 2 of 2
AirBorne AUSTRALIA			

Rev	AMENDMENTS	Date

PART NO. 108620

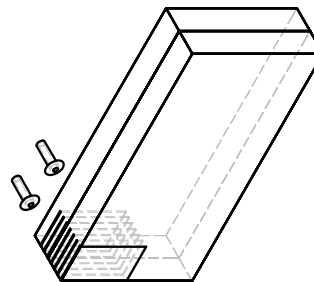
LAST ACCESSED: Thursday, 19 July 2007
ALL DIMENSIONS IN MILLIMETERS UNLESS STATED OTHERWISE

17 CERTIFICATION KITS XT-582 BASE - Drawing # 6924

PART NO. 107737 - SLSA CERTIFICATION

ITEM NO.	NAME	DWG	PART NO.	QTY.
1	PLACARD ENGINE LIMITS XT 582 M LSA	5900	107602	1
2	PLACARD ENGINE LIMITS XT 582 US LSA	5900	107601	1
3	PLACARD FLIGHT LIMITS XT LSA	5900	107596	1
4	PLACARD AIRCRAFT OPERATING INST BLK	5900	107592	1
5	PLACARD FUEL CAPACITY XT IMPERIAL	5900	107597	1
6	PLACARD OIL TANK CAP 582 XT US LSA	5900	107604	1
7	PLACARD PARACHUTE LSA	5900	107603	1
8	MANUAL COMPLETE MM&IPC XT 582 LSA	6931	107633	1
9	MANUAL COMPLETE MM&IPC XT 582 LSA&PRIM	6931	108471	1
10	POP RIVET 1/8"	5515	100162	2
11	DATA PLATE EDGE X-582-L LSA	6903	107569	1
12	MANUAL ROTAX ENGINE DATA PACK	6930	107736	1

NOTE:
THIS ASSEMBLY IS FOR ALL OF THE PARTS WHICH DEFINE THE XT-582 BASE SECTION AS EITHER PRIMARY OR SLSA CERTIFIED.



Rev	AMENDMENTS	Date
1	DCR 2234, SLSA CERTIFICATION	10-04-06
2	COMMON MM&IPC, PRIM&LSA	05-06-07
3	DCR 2315 - REARRANGE	19-07-07

LAST ACCESSED: Friday, 20 July 2007

ALL DIMENSIONS IN MILLIMETERS UNLESS STATED OTHERWISE

PART NO. 107738 - PRIMARY CERTIFICATION

ITEM NO.	NAME	DWG	PART NO.	QTY.
1	PLACARD ENGINE LIMITS XT582 IMPERIA	5900	107238	1
2	PLACARD ENGINE LIMITS XT582 METRIC	5900	107239	1
3	PLACARD FLIGHT LIMITS XT	5900	105706	1
4	PLACARD PILOT HAND BOOK XT	5900	105707	1
5	PLACARD FUEL TANK CAPACITY XT	5900	105709	1
6	PLACARD OIL TANK CAPACITY 582XT	5900	107240	1
7	PLACARD EMERGENCY PARACHUTE BRS	5900	106647	1
8	MANUAL COMPLETE XT 582 CRUZE POH	6931	107640	1
9	MANUAL COMPLETE MM&IPC XT 582 LSA&PRIM	6931	108471	1
10	POP RIVET 1/8"	5515	100162	2
11	DATA PLATE EDGE XT-582-B PRIMARY	6903	107243	1
12	MANUAL ROTAX ENGINE DATA PACK	6930	107736	1

THIS IS A VIRTUAL ASSEMBLY

CERTIFICATION KITS XT-582 BASE

Drawn By	Scale	Date		6924 SHEET 1 of 1
Simon	1:2	10-04-06		

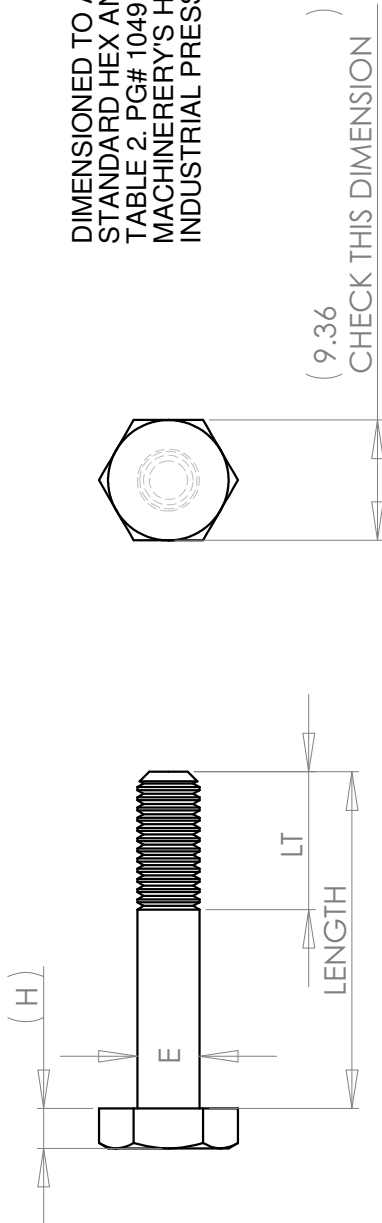
18 MISCELLANEOUS – NUTS AND BOLTS ETC

WARNING

THE PARTS WHICH ARE REPRESENTED IN THE FOLLOWING DRAWINGS ARE NOT NECESSARILY PART OF THIS AIRCRAFT. SOME PARTS WHICH ARE LISTED ARE COMPONENTS OF PARTS WHICH ARE NOT USER SERVICABLE. ONLY MAINTENANCE WHICH IS SPECIFIED IN THE MAINTENANCE MANUAL SHOULD BE ATTEMPTED AND ONLY THE EXACT SPARE SHOULD BE USED TO REPLACE PARTS. THE FOLLOWING DRAWINGS ARE PROVIDED AS A CONVIENIENCE TO AID IDENTIFICATION OF PARTS WHICH ARE USER MAINTAINABLE.

18.1 AN-3 Bolts	-	Drawing # 5449
18.2 AN-4 Bolts	-	Drawing # 5450
18.3 AN-5 Bolts	-	Drawing # 5493
18.4 AN-6 Bolts	-	Drawing # 5494
18.5 Metric Nuts	-	Drawing # 5495
18.6 UNF Nut Design Table	-	Drawing # 5506
18.7 Pop Rivets	-	Drawing # 5515
18.8 Roll Pins	-	Drawing # 5516
18.9 Socket Cap Screws UNF	-	Drawing # 5517
18.10 AN Wingnuts	-	Drawing # 5534
18.11 AN Nuts Full Nyloc	-	Drawing # 5535
18.12 Washers	-	Drawing # 5540
18.13 AN Nuts Half Nyloc	-	Drawing # 5561
18.14 Thimbles	-	Drawing # 5565
18.15 Socket Cap Screws Metric	-	Drawing # 5603
18.16 Metric Nuts Full Nyloc	-	Drawing # 5604
18.17 Cable Ties	-	Drawing # 5605
18.18 Metric Grub Screws	-	Drawing # 5631
18.19 Endcaps	-	Drawing # 5633
18.20 Glues and Sealants	-	Drawing # 5637
18.21 UNC Bolts	-	Drawing # 5660
18.22 Socket Cap Screws – Countersunk	-	Drawing # 5668
18.23 Socket Button Screws	-	Drawing # 5677
18.24 Spring Washers	-	Drawing # 5679
18.25 Split Rings	-	Drawing # 5720
18.26 Screws Self Tapping	-	Drawing # 5909
18.27 O-Rings	-	Drawing # 5932
18.28 Metric Bolts	-	Drawing # 5935
18.29 Axle Bolt Gremica Wheel	-	Drawing # 5962

DIMENSIONED TO ANSI B18.2.1-1981
STANDARD HEX AND HEAVY BOLTS
TABLE 2. PG# 1049 AND 1047
MACHINERY'S HANDBOOK 22ND ED
INDUSTRIAL PRESS LTD, NEW YORK.



Design Table for: AN3 hex bolt

PART NO.	NAME
102927	Bolt AN3-10 a
100050	Bolt AN3-12 a
100584	Bolt AN3-13 a
100735	Bolt AN3-15 a
101184	Bolt AN3-21 a
100558	Bolt AN3-23 a
100629	Bolt AN3-30 a

AN3 BOLT DESIGN TABLE

Drawn By Simon	Scale 2:1	Date 02/03/03	5449 SHEET 1 of 1
-------------------	--------------	------------------	----------------------

LAST ACCESSED: Monday, 9 July 2007

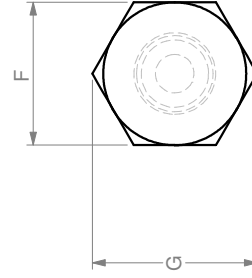
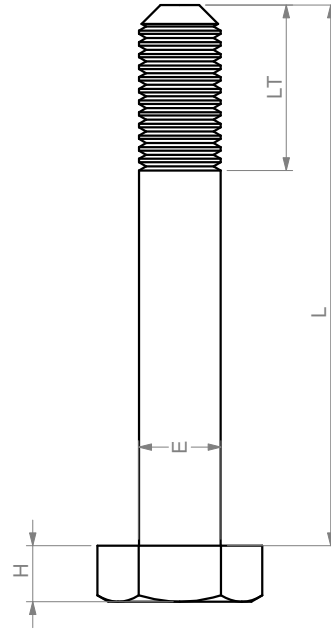
ALL DIMENSIONS IN MILLIMETERS UNLESS STATED OTHERWISE

Rev	AMENDMENTS	Date

Design Table for: hex bolt_an

PART NO.	NAME	LENGTH	DIA
100002	BOLT AN4-6	19.84	6.35
100001	BOLT AN4-7	23.02	6.35
100003	BOLT AN4-11a	29.37	6.35
100547	BOLT AN4-12 a	32.54	6.35
101333	BOLT AN4-13 a	35.72	6.35
100559	BOLT AN4-14 a	38.89	6.35
100967	BOLT AN4-15 a	42.07	6.35
100004	BOLT AN4-16	45.24	6.35
105330	BOLT AN4-20	51.59	6.35
100006	BOLT AN4-20 a	51.59	6.35
100549	BOLT AN4-22 a	57.94	6.35
100587	BOLT AN4-24 a	64.29	6.35
100009	BOLT AN4-26 a	70.64	6.35
100010	BOLT AN4-27 a	73.82	6.35
100011	BOLT AN4-30 a	76.99	6.35
100631	BOLT AN4-31	80.17	6.35
100012	BOLT AN4-32 a	83.34	6.35
101363	BOLT AN4-33 a	86.52	6.35
100850	BOLT AN4-34a	89.69	6.35
100013	BOLT AN4-35 a	92.87	6.35
100014	BOLT AN4-36 a	96.04	6.35
100713	BOLT AN4-40 a	102.39	6.35
102273	BOLT AN4-41 a	105.57	6.35
103668	BOLT AN4-42 a	108.74	6.35

DIMENSIONED TO ANSI B18.2.1-1981
STANDARD HEX AND HEAVY BOLTS
TABLE 2. PG# 1049 AND 1047
MACHINERYS HANDBOOK 22ND ED
INDUSTRIAL PRESS LTD, NEW YORK.



Rev	AMENDMENTS	Date

ALL DIMENSIONS IN MILLIMETERS UNLESS STATED OTHERWISE

AN4 BOLT - DESIGN TABLE

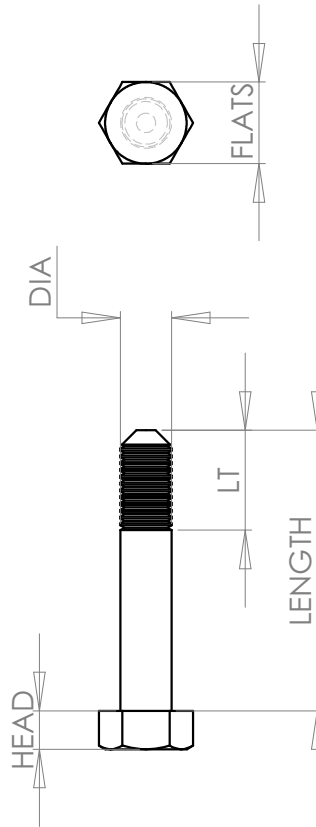
Drawn By	Scale	Date	5450 SHEET 1 of 1
Simon	2:1	21/03/03	



Design Table for: AN5 hex bolt_an

PART NO.	NAME	LENGTH	DIA
102743	BOLT AN5-11	30.96	7.9375
100015	BOLT AN5-15 a	43.66	7.9375
100553	BOLT AN5-16 a	46.83	7.9375
103296	BOLT AN5-17	50.01	7.9375
101244	BOLT AN5-17 a	50.01	7.9375
100016	BOLT AN5-20 a	53.18	7.9375
100819	BOLT AN5-21 a	56.36	7.9375
100017	BOLT AN5-22 a	59.53	7.9375
100018	BOLT AN5-24A	65.88	7.9375
100019	BOLT AN5-25 a	69.06	7.9375
100588	BOLT AN5-26	72.23	7.9375
104713	BOLT AN5-26 a	72.23	7.9375
100020	BOLT AN5-27 a	75.41	7.9375
100021	BOLT AN5-30 a	78.58	7.9375
100022	BOLT AN5-31 a	81.76	7.9375
100023	BOLT AN5-32 a	84.93	7.9375
100024	BOLT AN5-33	88.11	7.9375
100025	BOLT AN5-34 a	91.28	7.9375
106618	BOLT AN5-36	97.63	7.9375
100026	BOLT AN5-36 a	97.63	7.9375
100027	BOLT AN5-37	100.81	7.9375
100028	BOLT AN5-40 a	103.98	7.9375
100965	BOLT AN5-41 a	107.16	7.9375
104500	BOLT AN5-46	123.03	7.9375
100029	BOLT AN5-46 a	123.03	7.9375
100960	BOLT AN5-53 a	138.91	7.9375
100420	BOLT AN5-56 a	148.43	7.9375

DIMENSIONED TO ANSI B18.2.1-1981
STANDARD HEX AND HEAVY BOLTS
TABLE 2. PG# 1049 AND 1047
MACHINERY'S HANDBOOK 22ND ED
INDUSTRIAL PRESS LTD, NEW YORK.



PARTS WITH AN X BESIDE MAY NOT BE STOCKED BY AIRBORNE.
THIS TABLE DOES NOT INCLUDE ALL PARTS THAT HAVE BEEN
MADE OBSOLETE. CHECK FOR EXISTING OBSOLETE PARTS PRIOR TO
ALLOCATING NEW PART NUMBERS.

Rev	AMENDMENTS	Date
1	NAME CHANGED TO MATCH FP	19/10/04
1	AN5-24A BOLT ADDED DCR 2243	27/04/06

LAST ACCESSED: Monday, 9 July 2007

ALL DIMENSIONS IN MILLIMETERS UNLESS STATED OTHERWISE

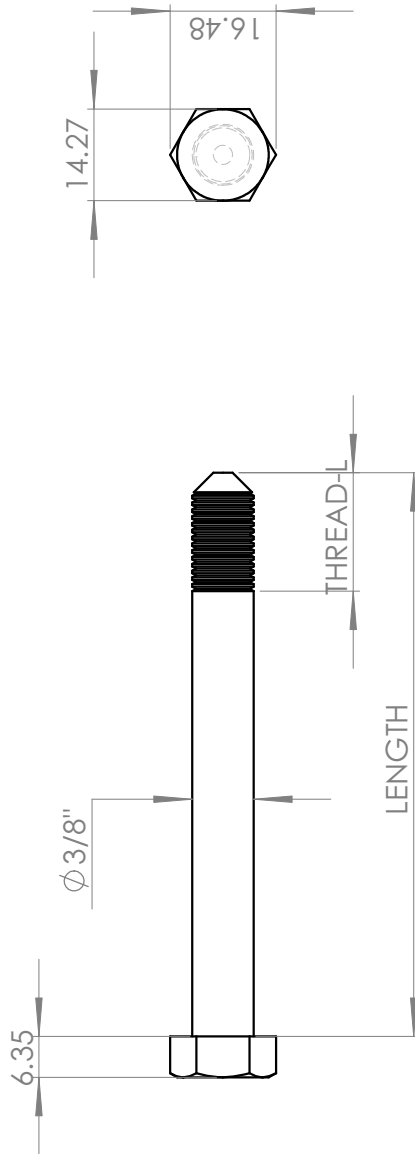
AN-5 BOLT DESIGN TABLE

Drawn By	Scale	Date	5493 SHEET 1 of 1
Simon	1:1	02/03/03	



Design Table for: hex bolt_an

PART NO.	NAME	DWG	FLATS	LENGTH	DIA
102316	BOLT AN6-33 ε	5494	14.2748	87.71	9.525
100851	BOLT AN6-34	5494	14.2748	90.88	9.525
106347	BOLT AN6-35	5494	14.2748	94.06	9.525
100032	BOLT AN6-36	5494	14.2748	97.23	9.525
100033	BOLT AN6-41	5494	14.2748	106.76	9.525



DIMENSIONED TO ANSI B18.2.1-1981
STANDARD HEX AND HEAVY BOLTS
TABLE 2: PG# 1049 AND 1047
MACHINERY'S HANDBOOK 22ND ED
INDUSTRIAL PRESS LTD, NEW YORK.

Rev	AMENDMENTS	Date
1	CHANGED NAME AN6-36, DCR 2047	26-10-04

LAST ACCESSED: Monday, 9 July 2007

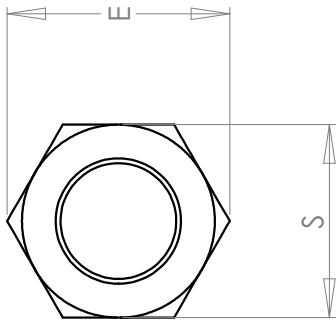
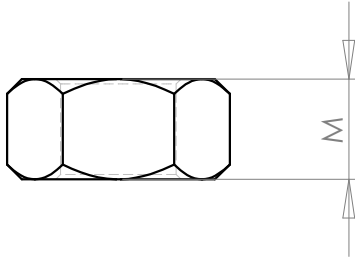
ALL DIMENSIONS IN MILLIMETERS UNLESS STATED OTHERWISE

AN-6 BOLT DESIGN TABLE

Drawn By	Scale	Date
Simon	1:1	02/03/03



5494
SHEET 1 of 1



Design Table for: 5495

PART NO	NAME
100796	NUT M6 - BLK
100094	NUT M8
104815	NUT M10 ROTAX
104575	NUT M6 SS 316
107747	NUT M12 FINE GREMICA
103190	BRAKE CABLE NUT GREMICA

GREMICA NUTS PURCHASED AS PART OF AIRBORNE PART NO 102931 SEE A4-6937

MODELLED TO AMERICAN NATIONAL STANDARD METRIC HEX NUTS STYLE 1 PG # 1092 MACH. H/B TABLE 25. EXCEPT THE M10 ROTAX NUT WHICH IS A CUSTOM ROTAX NUT, MODELLED FROM THE PART.

Rev	AMENDMENTS	Date
1	DCR 2026 DESIGN TABLE EMBEDDED, NAMES CHANGED	19/10/04
2	DCR 2242 GREMICA NUTS ADDED	20/04/06

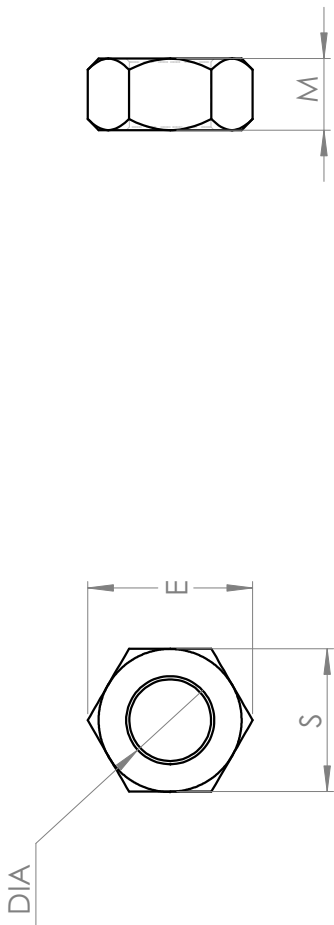
LAST ACCESSED: Monday, 9 July 2007

ALL DIMENSIONS IN MILLIMETERS UNLESS STATED OTHERWISE

METRIC NUT - DESIGN TABLE

Drawn By Simon	Scale 3:1	Date 02/03/03	5495 SHEET 1 of 1
-------------------	--------------	------------------	----------------------





Design Table for: 5506

PART NO	NAME
101372	NUT UNF BLACK 1-4"
105099	NUT UNF BLACK 5-8"
103157	NUT UNF ZINC 1-4"
105444	NUT NYLOC UNF 5-8"

102802 NUT UNF ZINC 1/4" P/N OBSOLETE

MODELLED TO AMERICAN NATIONAL
STANDARD AND UNIFIED STD HEX NUTS
PG # 1054 MACH. H/B TABLE 6. (NON
HEAVY TABLE)

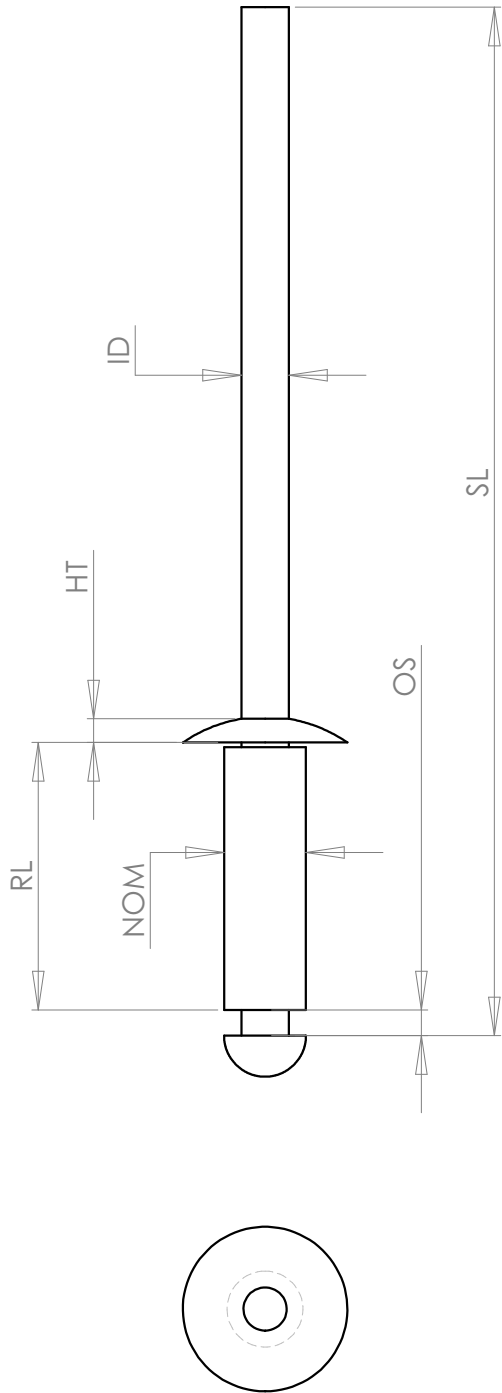
Rev	AMENDMENTS	Date
1	5/8" UNF NYLOC ADDED	20/05/03

LAST ACCESSED: Monday, 9 July 2007
ALL DIMENSIONS IN MILLIMETERS UNLESS STATED OTHERWISE

UNF NUT DESIGN TABLE

Drawn By Simon	Scale 2:1	Date 02/03/03	5506 SHEET 1 of 1
-------------------	--------------	------------------	----------------------

AirBorne
AUSTRALIA



Rivet dimensions taken from real rivets, not theoretical data, and hence may not be dimensionally accurate

MODEL CURRENTLY IS NOT DESIGN TABLE DRIVEN TABLE WILL NOT BE AUTOMATICALLY UPDATED WITH ANY CHANGES.

PART #	NAME
100162	POP RIVET 1/8"
100160	POP RIVET 3/16" SHORT (6-4)
104724	POP RIVET 3/16" X 10mm FLANGED
103698	POP RIVET 3/16" X 21mm FLANGED
102417	POP RIVET 5/32" LONG (5-8)
100161	POP RIVET 5/32" MED (5-5)
102418	POP RIVET 5/32" SHORT (5-3)
102205	POP RIVET SS 3/16"
102795	POP RIVET SS 5/32" SHORT (5-2)

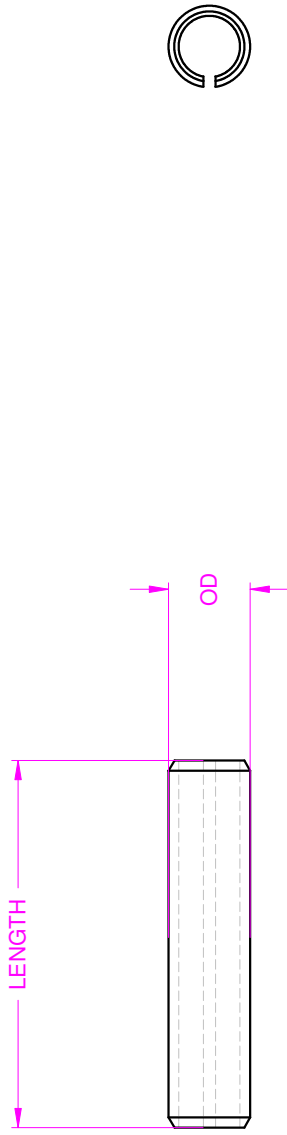
Rev	AMENDMENTS	Date

LAST ACCESSED: Monday, 9 July 2007
ALL DIMENSIONS IN MILLIMETERS UNLESS STATED OTHERWISE

POP RIVET - DESIGN TABLE

Drawn By	Scale	Date	5515 SHEET 1 of 1
Simon	4:1	02/03/03	





DESIGN TABLE 5516

PART #	NAME	LENGTH	DIA
102356	ROLL PIN 1-4" X 1 1-8"	28.575	6.35
103880	ROLL PIN 1-4" X 3"	76.2	6.35
102713	ROLL PIN 3-32" X 1-2" SS	12.7	2.38125
104961	ROLL PIN 5-16" X 3 1-2"	88.9	7.9375
101983	ROLL PIN 5-16" X 7-8"	22.225	7.9375

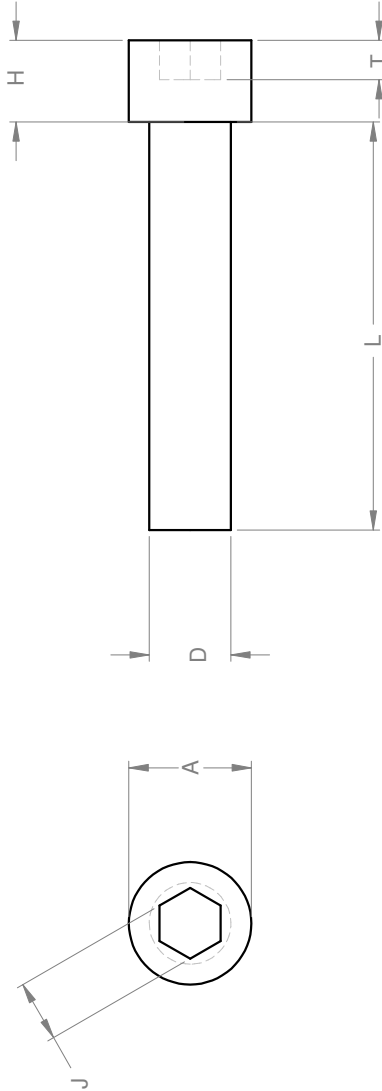
THESE PARTS WERE MODELLED FROM REAL PARTS

Rev	AMENDMENTS	Date

LAST ACCESSED: Monday, 9 July 2007
ALL DIMENSIONS IN MILLIMETERS UNLESS STATED OTHERWISE

ROLL PIN DESIGN TABLE

Drawn By Simon	Scale 2:1	Date 02/08/03	AirBorne AUSTRALIA	5516 SHEET 1 of 1
-------------------	--------------	------------------	------------------------------	----------------------



DIMENSIONED TO ANSI B18.3-1982
AMERICAN NATIONAL STANDARD HEX
AND SPLINE HEAD CAP SCREWS
(1960 SERIES)
TABLE 1. PG# 1151
MACHINERY'S HANDBOOK 22ND ED
INDUSTRIAL PRESS LTD, NEW YORK.

Design Table for: 5517

PART #	NAME
104569	SKT CAP SCREW UNF 1 1-4" X 1/4
101371	SKT CAP SCREW UNF 1-4" X 3/4

Rev	AMENDMENTS	Date

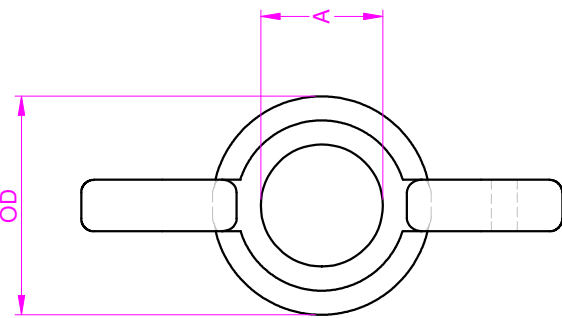
LAST ACCESSED: Monday, 9 July 2007

ALL DIMENSIONS IN MILLIMETERS UNLESS STATED OTHERWISE

SKT CAP SCREW UNF - DESIGN TABLE

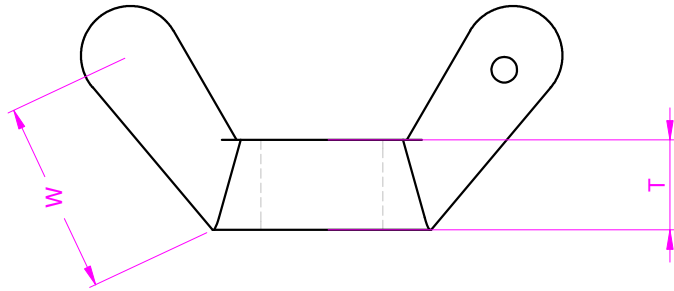
Drawn By	Scale	Date	5517
Simon	2:1	02/08/03	SHEET 1 of 1

AirBorne
AUSTRALIA



Design Table for: 5534

PART NO.	NAME
101065	WINGNUT AN6
102454	WINGNUT AN5
102472	WINGNUT AN4



THESE WINGNUTS ARE MODELLED FROM THE EXISTING PARTS, AND MAY NOT BE FULLY DIMENSIONALLY ACCURATE.

AN WINGNUT DESIGN TABLE

Drawn By	Scale	Date
Simon	2:1	29/04/03

5534
SHEET of

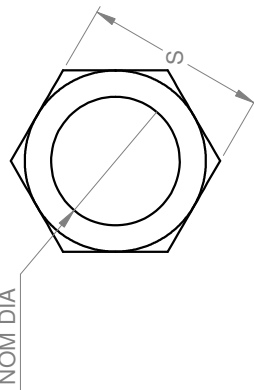
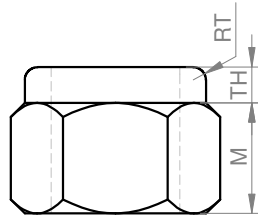
AirBorne
AUSTRALIA

PART NO.

Rev	AMENDMENTS	Date

LAST ACCESSED: Monday, 9 July 2007

ALL DIMENSIONS IN MILLIMETERS UNLESS STATED OTHERWISE



PART NO.	NAME
100051	NUT NYLOC AN3 FULL
100034	NUT NYLOC AN4 FULL
100036	NUT NYLOC AN5 FULL
100038	NUT NYLOC AN6 FULL
101174	NUT NYLOC UNC 1-2" FULL
101822	NUT NYLOC BSW 1-4" FULL

THESE NUTS ARE MODELLED FROM THE EXISTING PARTS, AND MAY NOT BE FULLY DIMENSIONALLY ACCURATE.

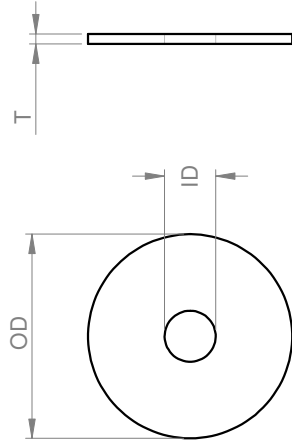
Rev	AMENDMENTS	Date	Scale	Date	Drawn By	Scale	Date	Part No.	Part Name
			2:1	02/03/03	Simon	2:1	02/03/03	5535	AN NUTS FULL NYLOC DESIGN TABLE

5535
SHEET of



Design Table for: 5540

PART NO.	NAME	OD	ID	T
100093	WASHER SS 1-2 X 1" 304 FLAT	1"	1/2"	1/16"
101455	WASHER SS 1-4 X 1"	1"	1/4"	1/16"
102018	WASHER SS 1-4 X 3-4"	3/4"	1/4"	1/16"
101883	WASHER SS 1-8 X 3-8"	3/8"	1/8"	1/28"
101369	WASHER SS 1-8 X 5-16"	5/16"	1/8"	1/28"
103458	WASHER SS 10 X 21mm	21	10	1.2
100569	WASHER SS 3-16 X 1-2"	1/2"	13/64"	1/28"
102368	WASHER SS 3-16 X 3-4"	3/4"	13/64"	1/16"
100055	WASHER SS 3-16 X 7-16" 304 FLAT	7/16"	13/64"	1/28"
102470	WASHER SS 3-8 X 1 1-2"	3/2"	3/8"	1/16"
100924	WASHER SS 3-8 X 3-4"	3/4"	3/8"	1/19"
100714	WASHER SS 5-16 X 1" X 16g	1"	5/16"	1/16"
100045	WASHER SS 5-16 X 1 1-4" 304 FLAT	5/4"	5/16"	1/16"
102332	WASHER SS 5-16 X 3-4"	3/4"	5/16"	1/19"
102099	WASHER SS 7-16 X 1 1-8" 304	9/8"	7/16"	1/16"
102090	WASHER SS M4 STD	9	4	0.8
100049	WASHER AN3	11	5	1.6
100042	WASHER AN4	12.6	6.8	1.6
106766	WASHER AN4 THIN (BOLLY)	12.6	6.8	0.8
100043	WASHER AN5	14.2	8.4	1.6
100044	WASHER AN6	15.1	9.9	1.6
106768	WASHER M8 (BOLLY)	14.6	8.25	1.6
100611	WASHER NYLON M12 STD	24	13.3	2.4
100619	WASHER NYLON M10 STD	21.8	10.5	2.4
100595	WASHER NYLON M8 STD	18.2	8.7	2
100820	WASHER NYLON M8 XOD	23.8	8.7	2
101055	WASHER NYLON M6 XOD	18	6.7	1.6
102654	WASHER NYLON 1-2"	25.4	13	1.4
103961	WASHER NYLON 1-4" OBA THIN	12.9	6.6	0.7
102424	WASHER NYLON 1-4" OBA THICK	11.9	6.6	1.5
101387	WASHER BRIGHT 3-8" x 1 1-4"	31.75	11.11	1.6
103192	WASHER BRIGHT 5-16" x 1 1-4"	31.75	9.53	1.5
101296	WASHER BRIGHT 7-16" x 7-8"	22.225	12.70	1.5
100624	MYLAR WASHER 1-4" x 7-8"	22	7	0.4
103166	WASHER GREMICA WHEEL 22x12x2	22	12	2
103191	WASHER GREMICA BRAKE	12	6.3	1.4
105885	WASHER 912 10.7x20	20	10.7	1.9
106400	WASHER RED FIBRE 5-16"x11-16"x1-32"	11/16"	5/16"	1/32"
106619	WASHER RED FIBRE - CARBY HEAT	14	5/16"	1/32"
107252	WASHER COPPER 8X12X1	12	8	1



MODELLED FROM BLACWOOD GROUP CATALOGUE PG # 140, 141. TABLES, AND MACH H/B PG # 356, ED 22. AN AND NYLON WASHERS MODELLED FROM THE EXISTING PARTS. AN4 THIN WASHER SUPPLIED BY BOLLY WITH PROPELLERS, PART 106766.

PART NO 10103166 AND 103191 WASHERS GREMICA ARE NORMALLY SUPPLIED AS A COPRODUCT OF PART NO 102931 SEE A4-4597

← USE JIG - SKIM DOWN OUTSIDE DIAMETER

WASHER - DESIGN TABLE

Drawn By	Scale	Date	5540 SHEET of
Simon	1:1	02/03/03	

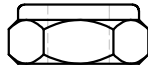
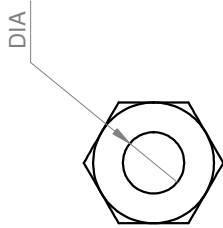


PART NO.

Rev	AMENDMENTS	Date
1	GREMICA NOTE ADDED DCR 2242	20/04/06

LAST ACCESSED: Monday, 9 July 2007

ALL DIMENSIONS IN MILLIMETERS UNLESS STATED OTHERWISE



THESE NUTS ARE MODELLED FROM THE EXISTING PARTS, AND MAY NOT BE FULLY DIMENSIONALLY ACCURATE.

Design Table for: 5561

PART NO	NAME
101334	NUT NYLOC AN3 HALF
100035	NUT NYLOC AN4 HALF
100037	NUT NYLOC AN5 HALF
100039	NUT NYLOC AN6 HALF

Rev	AMENDMENTS	Date

PART NO.

LAST ACCESSED: Monday, 9 July 2007

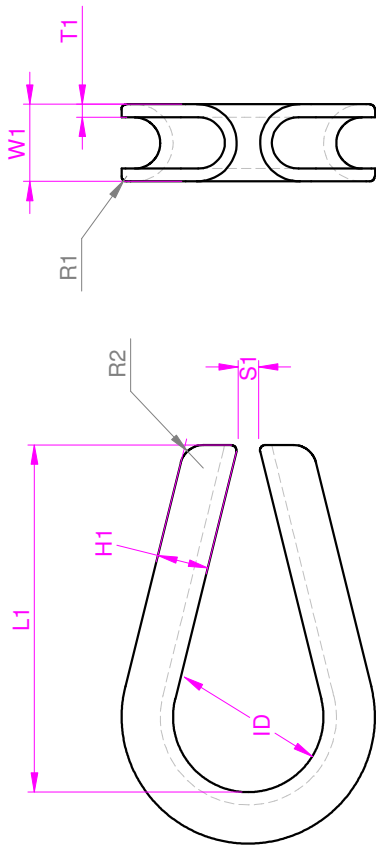
ALL DIMENSIONS IN MILLIMETERS UNLESS STATED OTHERWISE

AN NUTS HALF NYLOC - DESIGN TABLE

Drawn By	Scale	Date
Cis	2:1	05/05/03

AirBorne
AUSTRALIA

5561
SHEET 1 of 1



MODELLED FROM THE EXISTING PARTS AND
MAY NOT BE DIMENSIONALLY ACCURATE

THE 1/16" THIMBLE STILL NEEDS TO BE MODELLED

Design Table for: 5565

PART NO	NAME
104264	THIMBLE (3-32") THIN
100176	THIMBLE 2.4mm (3-32")
100177	THIMBLE 3.2mm (1-8")
100178	THIMBLE 4.0mm(5-32")

Rev AMENDMENTS

Rev	AMENDMENTS	Date

THIMBLE DESIGN TABLE

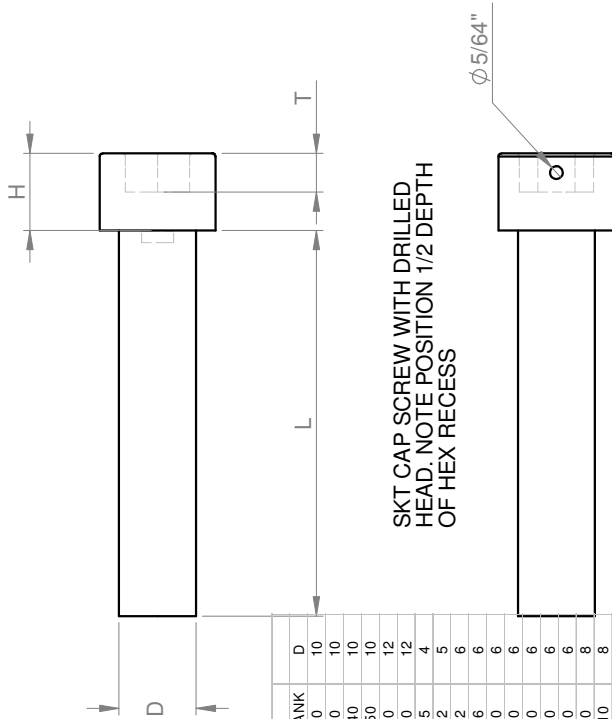
PART NO. -
LAST ACCESSED: Monday, 9 July 2007
ALL DIMENSIONS IN MILLIMETERS UNLESS STATED OTHERWISE

Drawn By	Scale	Date
Cis	2:1	06/05/03

AirBorne
AUSTRALIA

5565
SHEET 1 of 1

DIMENSIONED TO ANSI B18.3-1982
AMERICAN NATIONAL STANDARD HEX
AND SPLINE HEAD CAP SCREWS
(1960 SERIES)
TABLE 19. PG# 1086
MACHINEERY'S HANDBOOK 22ND ED
INDUSTRIAL PRESS LTD, NEW YORK.



SKT CAP SCREW WITH DRILLED
HEAD. NOTE POSITION 1/2 DEPTH
OF HEX RECESS

SEE ALSO T/C A4-4068,
MODIFIED CAP SCREWS,
WHICH INCLUDES
PART #

- 104553 - BOLT STREAMLINE BOTTOM KNUCKLE
- 101745 - BOLT D/TUBE BOTTOM KNUCKLE
- 102290 - TOW ROD FIXING SCREW
- 101326 - BOLT M8 A/FRAME TOP
- 103358 - FUN A/FRAME TOP BOLT
- 102919 - DRAG LINK TYPE 2 FRONT MOUNT BOLT

Design Table for: 5603	PART NO.	NAME	MATERIAL	A	J	T	SHANK	D
105328	SKT CAP SCREW M10 X 30	N/A	N/A	16	8	5	30	10
105944	SKT CAP SCREW M10 X 30 DRILLED	N/A	SKT CAP SCREW M10 X 105328	16	8	5	30	10
102469	SKT CAP SCREW M10 X 140	N/A	N/A	16	8	5	140	10
102932	SKT CAP SCREW M10 X 150	N/A	N/A	16	8	5	150	10
105329	SKT CAP SCREW M12 X 60	N/A	N/A	18	10	6	60	12
106448	SKT CAP SCREW M12 X 60 DRILLED	N/A	SKT CAP SCREW M12 X 105329	18	10	6	60	12
100923	SKT CAP SCREW SS M4 X 25	N/A	N/A	7	3	2	25	4
106704	SKT CAP SCREW M5 X 12	N/A	N/A	8.4	4	2.5	12	5
105884	SKT CAP SCREW M6 X 12	N/A	N/A	10	5	3	12	6
103187	SKT CAP SCREW M6 X 16	N/A	N/A	10	5	3	16	6
102927	SKT CAP SCREW M6 X 20	N/A	N/A	10	5	3	20	6
107141	SKT CAP SCREW M6 X 30 SS	N/A	N/A	10	5	3	30	6
100909	SKT CAP SCREW M6 X 70	N/A	N/A	10	5	3	70	6
100814	SKT CAP SCREW M6 X 80	N/A	N/A	10	5	3	80	6
100822	SKT CAP SCREW M6 X 90	N/A	N/A	10	5	3	90	6
102929	SKT CAP SCREW M8 X 10	N/A	N/A	13	7	4	10	8
101001	SKT CAP SCREW M8 X 110	N/A	N/A	13	7	4	110	8
102920	SKT CAP SCREW M8 X 120	N/A	N/A	13	7	4	120	8
101518	SKT CAP SCREW M8 X 16	N/A	N/A	13	7	4	16	8
102931	SKT CAP SCREW M8 X 20	N/A	N/A	13	7	4	20	8
100980	SKT CAP SCREW M8 X 25	N/A	N/A	13	7	4	25	8
101519	SKT CAP SCREW M8 X 40	N/A	N/A	13	7	4	40	8
106449	SKT CAP SCREW M8 X 40 DRILLED	N/A	SKT CAP SCREW M8 X 101519	13	7	4	40	8
103359	SKT CAP SCREW M8 X 75	N/A	N/A	13	7	4	75	8
104670	SKT CAP SCREW M8 X 90	N/A	N/A	13	7	4	90	8
106322	SKT CAP SCREW SS M4 X 8	N/A	N/A	7	3	2	8	4
102089	SKT CAP SCREW SS M4 X 12	N/A	N/A	6.9	3	2	12	4
102453	SKT CAP SCREW SS M4 X 20	N/A	N/A	6.9	3	2	20	4
107060	SKT CAP SCREW SS M6 X 30 ZINC	N/A	N/A	10	5	3	30	6
104556	SKT CAP SCREW SS M6 X 50	N/A	N/A	10	5	3	50	6
101744	SKT CAP SCREW SS M6 X 60	N/A	N/A	10	5	3	60	6
102032	SKT CAP SCREW SS M8 X 8	N/A	N/A	13	7	4	8	8
105752	SKT CAP SCREW SS M6 X 20	N/A	N/A	10	5	3	20	6
106306	SKT CAP SCREW M6 X 50 - MODIFIED	N/A	N/A	10	5	3	50	6
107394	SKT CAP SCREW M8 X 20 MODIFIED	N/A	N/A	13	7	4	20	8
107474	SKT CAP SCREW SS M4 X 20	N/A	N/A	6.9	3	2	16	4
108101	SKT CAP SCREW M10 X 150 ZINC PLATED	N/A	SKT CAP SCREW M10 X 102932	16	8	5	150	10
108176	SKT CAP SCREW M8 X 120 ZINC PLATED	N/A	SKT CAP SCREW M8 X 102920	13	7	4	120	8
108522	SKT CAP SCREW M6 X 30 SS MODIFIED	N/A	SKT CAP SCREW M6 X 30 107141	9.4	5	3	30	6

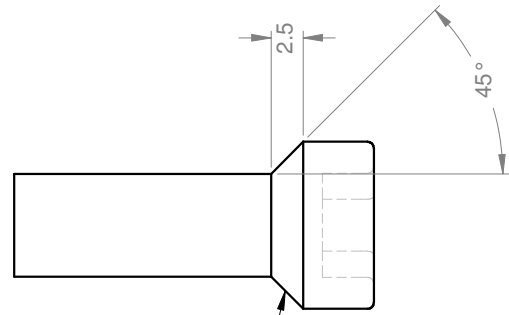
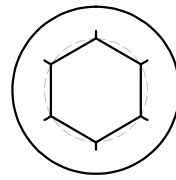
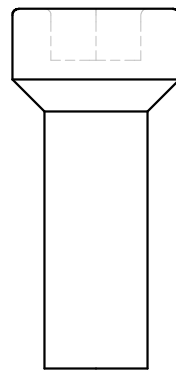
CAP SCREW FOR KINGPOST LOCATOR - TURN HEAD TO ϕ 8mm

SKT CAP SCREW METRIC - DESIGN TABLE

Drawn By	Scale	Date	5603 SHEET 1 of 2
Simon	1:1	09/05/03	

LAST ACCESSED: Monday, 9 July 2007
ALL DIMENSIONS IN MILLIMETERS UNLESS STATED OTHERWISE

Rev	AMENDMENTS	Date
2	DCR 2180, ADD PART FOR 582XT	17-10-05
3	ADD PART 107474	09-12-05
4	DCR 2265, ADD 108101	09-10-06
5	DCR 2276, ADD 108176	31-10-06
6	ADD 108522	10-04-07



NOTE
CHAMFER ADDED TO STANDARD BOLT ON LATHE,
USED IN 582 EXHAUST MANIFOLDS WHERE
STANDARD BOLT WILL NOT FIT.

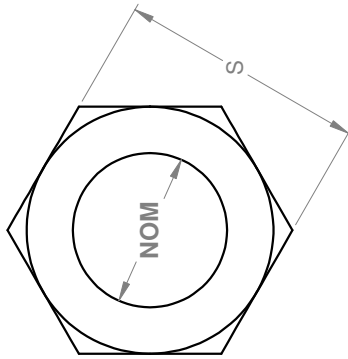
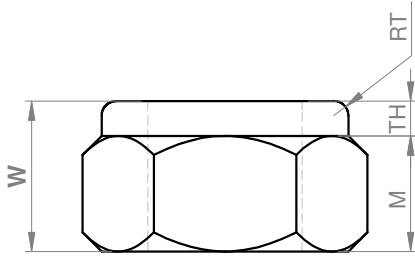
MACHINE THIS FACE ONLY
AT 45 DEG.

SKT CAP SCREW M 8 X 20 MODIFIED			
Drawn By	Scale	Date	AirBorne AUSTRALIA
Simon	2:1	02/08/03	
			5603 SHEET 2 of 2

PART NO. 107394

LAST ACCESSED: Monday, 9 July 2007
ALL DIMENSIONS IN MILLIMETERS UNLESS STATED OTHERWISE

Rev	AMENDMENTS	Date



Design Table for: 5604

PART NO.	NAME	DWG	MAT	MAT NO.	REQD	NOM	W
104306	NUT NYLOC M 3 FULL SS	5604	N/A	N/A	N/A	3	3.7
100911	NUT NYLOC M 4 FULL	5604	N/A	N/A	N/A	4	4.6
101365	NUT NYLOC M 5 FULL	5604	N/A	N/A	N/A	5	4.8
102132	NUT NYLOC M 6 FULL	5604	N/A	N/A	N/A	6	5.8
106771	NUT NYLOC M 6 TURNED DOWN (THIN)	5604	NUT NYLOC M 6 FULL	102132	1	6	4.8
100915	NUT NYLOC M 8 FULL	5604	N/A	N/A	N/A	8	7.8
100802	NUT NYLOC M 10 FULL	5604	N/A	N/A	N/A	10	10
102928	NUT NYLOC M 12 FULL	5604	N/A	N/A	N/A	12	11.8
103612	NUT NYLOC M 12 FULL - FINE	5604	N/A	N/A	N/A	12	11.8

THESE NUTS ARE MODELLED FROM THE EXISTING PARTS, AND MAY NOT BE FULLY DIMENSIONALLY ACCURATE.

Rev	AMENDMENTS	Date

PART NO. -

LAST ACCESSED: Monday, 9 July 2007

ALL DIMENSIONS IN MILLIMETERS UNLESS STATED OTHERWISE

METRIC NUTS FULL NYLOC - DESIGN TABLE

Drawn By Simon	Scale 3:1	Date 09/05/03	AirBorne AUSTRALIA	5604 SHEET 1 of 1
-------------------	--------------	------------------	------------------------------	----------------------



ITEM NO.	PART NO.	NAME	MATERIAL DESCRIPTION	WIDTH	LENGTH
1	101192	CABLE TIE SHORT	PLASTIC	3.6	98
2	101193	CABLE TIE MED	PLASTIC	3.6	140
3	101194	CABLE TIE LONG	PLASTIC		290
4	102419	CABLE TIE X-LONG	PLASTIC		360

THERE IS NO DESIGN TABLE ASSOCIATED WITH THIS MODEL. ANY NEW PARTS MUST BE MANUALLY INCLUDED AND THIS DRAWING UPDATED, SEE 5605.XLS FOR PARTS

Rev	AMENDMENTS	Date

LAST ACCESSED: Monday, 9 July 2007
ALL DIMENSIONS IN MILLIMETERS UNLESS STATED OTHERWISE

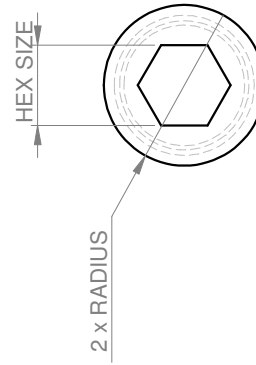
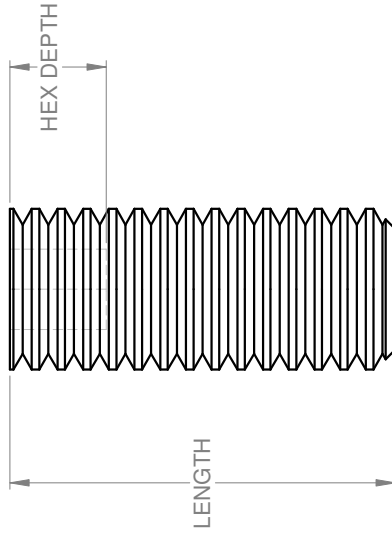
CABLE TIES

Drawn By	Scale	Date	5605 SHEET 1 of 1
Cris	1:1	09/05/03	

Design Table for: 5631

	\$PARTNUMBER	\$PRP@NAME	Length@ Sketch1	Radius@ Sketch1	Hex Depth@ Base Hex Plane	Hex Size@ Sketch2	End Chamfer@ Chamfer1	Thread Core Rad@ Sketch3	Thread Start Point@ Sketch3	Thread Pitch@ LPattern1	No of Threads@ LPattern1
M8x8 SS	105400	Grub Screw M8x8 SS GR304	8	4	5	4	1	3.2332	0.625	1.25	7
M5x12 SS	105401	Grub Screw M5x12 SS GR304	12	2.5	3	2.5	0.625	2.0092	0.4	0.8	15

ABOVE DESIGN TABLE DATA IS NOT LINKED TO THE MODEL AND WILL NOT AUTOMATICALLY UPDATE.
 DATA OBTAINED BY MEASUREMENT - THREAD DATA ISO METRIC



Rev	AMENDMENTS	Date

PART NO. -

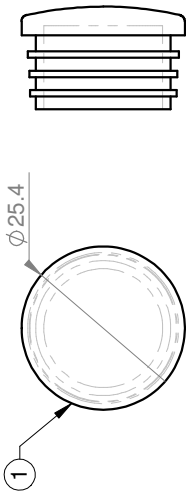
LAST ACCESSED: Monday, 9 July 2007
 ALL DIMENSIONS IN MILLIMETERS UNLESS STATED OTHERWISE

Drawn By	Scale	Date
MOLLO	5:1	15/05/03

AirBorne AUSTRALIA

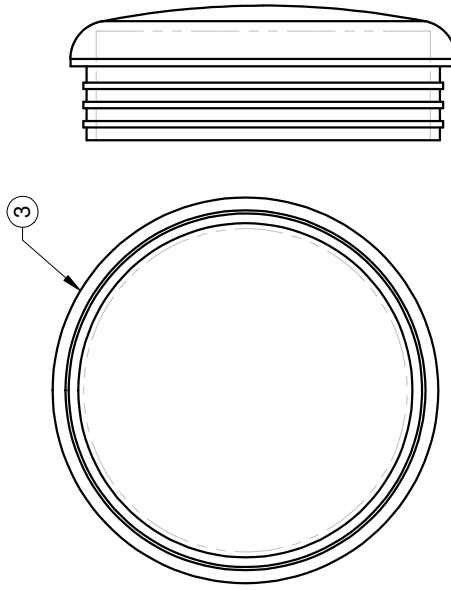
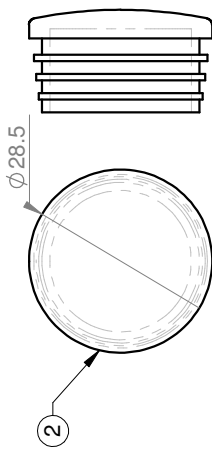
5631
SHEET 1 of 1

ITEM NO.	PART NO.	NAME	MATERIAL DESCRIPTION	MATL. NO.	REQD
1	103225	CAP ROUND TUBE CLOSURE 1IN	NA	NA	NA

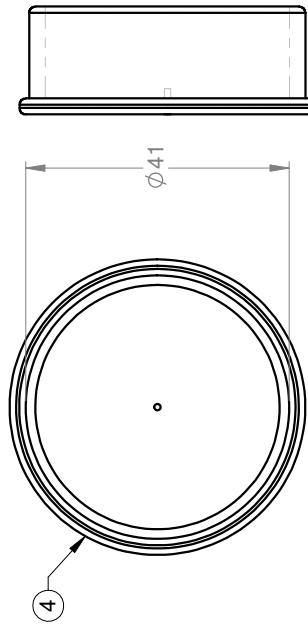


ITEM NO.	PART NO.	NAME	MATERIAL DESCRIPTION	MATL. NO.	REQD
3	101718	CAP ROUND TUBE CLOSURE 57MM	NA	NA	NA

ITEM NO.	PART NO.	NAME	MATERIAL DESCRIPTION	MATL. NO.	REQD
2	103226	CAP ROUND TUBE CLOSURE 1-1/8IN	NA	NA	NA



ITEM NO.	PART NO.	NAME	MATERIAL DESCRIPTION	MATL. NO.	REQD
4	101729	CAP ENDCAP FOR 45mm TUBE	NA	NA	NA



THIS IS A BOUGHT NON STRUCTURAL COMPONENT THE MODEL IS NOT DIMENSIONALLY CORRECT.

Rev	AMENDMENTS	Date
1	NAMING CHANGE TO MATCH FP	20/10/04

LAST ACCESSED: Monday, 9 July 2007

ALL DIMENSIONS IN MILLIMETERS UNLESS STATED OTHERWISE

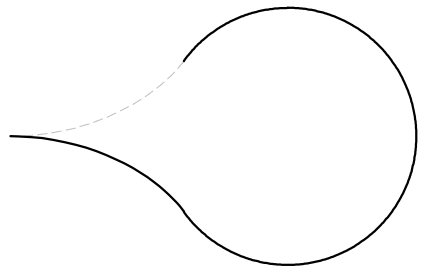
CAP ROUND TUBE CLOSURES

Drawn By	Scale	Date
Cris	1:1	14/05/03

PART NO.	NAME
105432	LOCTITE 222 Magenta Low Strength
103706	LOCTITE 243 Blue Med Strength
103723	LOCTITE 262 Red High Strength
103707	LOCTITE 406 Instant Adhesive
105433	LOCTITE 454 Instant Adhesive Gel
103705	LOCTITE 567 Thread Sealant
103708	LOCTITE 641 Bearing Lock
106432	DRI LUBE SOLID LUBE
104605	SOLDER RESIN CORE 1.6MM
106602	TAPE THREAD - WHITE (GENERAL)
106603	TAPE THREAD - YELLOW (GAS)
105721	SILICON INSTANT GASKET (SHELLEYS)
106730	RUST PROTECTANT ARP LIQUID
106817	HEAT TRANSFER PASTE
104035	PETROLEUM JELLY
107223	VALVE GRIND COMPOUND MEDIUM
107224	VALVE GRIND COMPOUND COARSE
107422	HAIR SPRAY
105472	LOCTITE 767 ANTI-SEIZE
104448	LOCTITE 7471 PRIMER
107734	LANOTEC GP-21

1 DROP = 10ml IN FOXPRO (ANTI-RUST ONLY)

1 DROP = 0.025 CAN IN FOXPRO (HAIR SPRAY ONLY)



NOTE:
FOR ALL LIQUIDS
1 DROP = 1ml IN FOXPRO

Rev	AMENDMENTS	Date

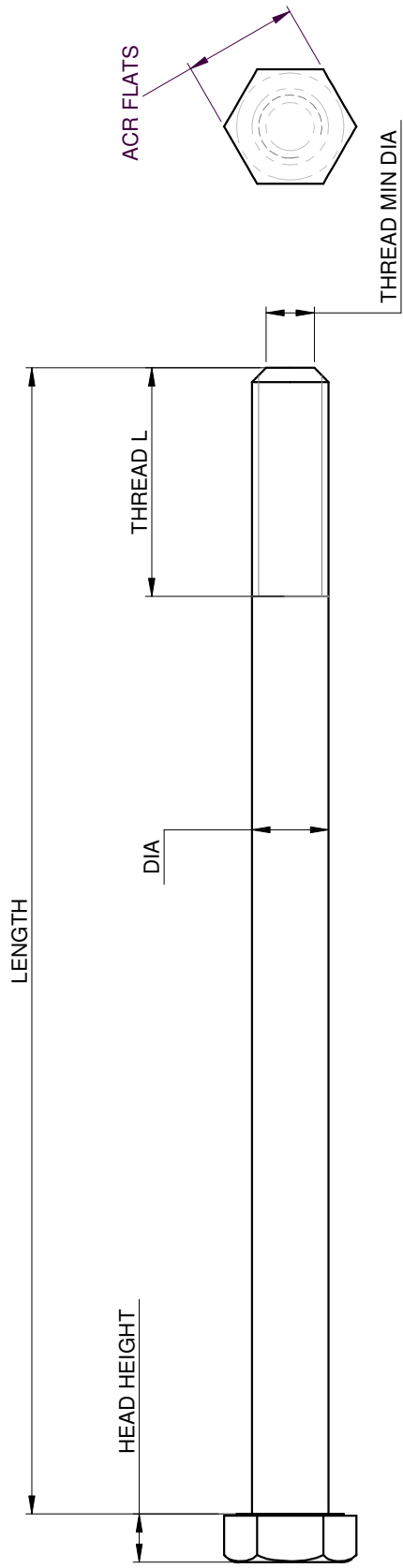
LAST ACCESSED: Friday, 20 April 2007
ALL DIMENSIONS IN MILLIMETERS UNLESS STATED OTHERWISE

GLUES AND SEALANTS - DESIGN TABLE

Drawn By	Scale	Date	5637 SHEET 1 of 1
MOLLO	10:1	15/05/03	

Design Table for: hex bolt UNC

PART NO.	NAME	DWG	ACR FLATS	LENGTH	DIA	HEAD HEIGHT	THREAD L	THREAD MIN DIA
105326	UNC BOLT 1-2x7 1-2" BLK	5660	19	7.5*25.4	1/2*25.4	8	38	10.5



NOTE: THIS DESIGN TABLE IS NOT LINKED TO THE MODEL. ANY CHANGES MUST BE UPDATED MANUALLY

Rev	AMENDMENTS	Date

LAST ACCESSED: Wednesday, 4 April 2007
ALL DIMENSIONS IN MILLIMETERS UNLESS STATED OTHERWISE

Drawn By	Scale	Date	5660
Cris	1:1	03/06/03	SHEET 1 of 1

UNC BOLTS - DESIGN TABLE

AirBorne AUSTRALIA

PART NO.	NAME	DIA	HEAD DIA	HEAD °	LENGTH
106344	SKT CSK SCREW M5x16 SS	5	11.2	45	16
105453	SKT CSK SCREW M6x45	6	13.44	45	45
101823	SKT CSK SCREW BSW 2.5x0.25"	6.35	11.4	45	2.5*25.4
105997	SKT CSK SCREW BSW 1-4" MOD 58L	6.35	11.4	45	58
106319	SKT CSK SCREW BSW 1-4" MOD 47L	6.35	11.4	45	47
102062	SKT CSK SCREW UNF 1-4" x 1"	6.35	12.5	40	25.4
106275	SKT CSK SCREW M6x16 SS	6	13.44	45	16



Rev	AMENDMENTS	Date
1	UPDATED AND REMOVED PARTS WITH NO PART NUMBERS IN THE SYSTEM	04-06-04

LAST ACCESSED: Monday, 9 July 2007

ALL DIMENSIONS IN MILLIMETERS UNLESS STATED OTHERWISE

SKT CAP SCREW COUNTERSINK - DESIGN TABLE

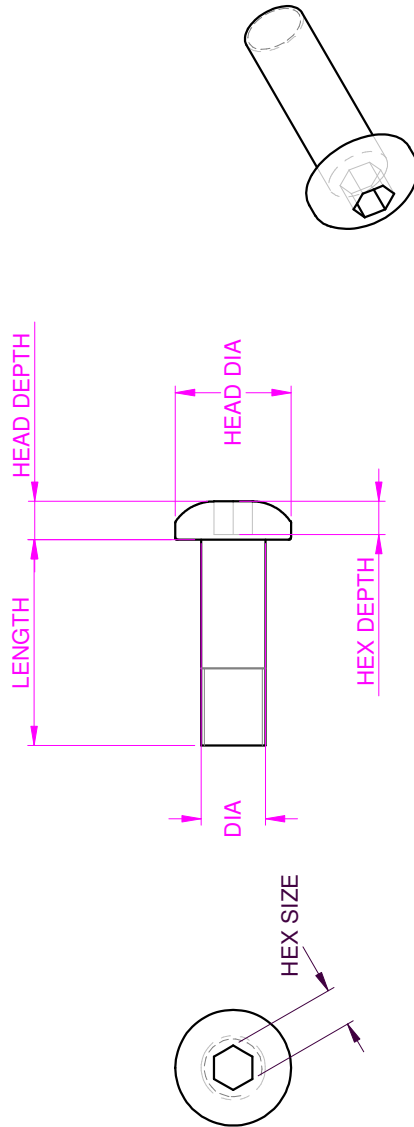
Drawn By	Scale	Date	5668
Cris	2:1	22/05/03	

AirBorne AUSTRALIA

SHEET 1 of 1

Design Table for: 5677

PART NO.	NAME	MATERIAL	MAT. NO.	REQD	DIA	HEAD DIA	LENGTH	HEAD DEPTH	HEX SIZE	HEX DEPTH
xx	SKT BUTTON SCREW M3 x 10	N/A	N/A	N/A	3	5.7	10	2	2	1.75
xx	SKT BUTTON SCREW M4 x 8	N/A	N/A	N/A	4	7.6	8	2.5	2.5	2
106172	SKT BUTTON SCREW M4 x 8	N/A	N/A	N/A	5	9	10	3	3	2.5
103182	SKT BUTTON SCREW M5 x 10	N/A	N/A	N/A	5	9	16	3	3	2.6
101752	SKT BUTTON SCREW M6 x 16	N/A	N/A	N/A	6	10.2	16	3	4	3
106621	SKT BUTTON SCREW M6 x 16 mod 13.4 SKT BUTTON SCREW M6 x 16	N/A	101752	1	6	10.2	13.4	3	4	3
XXX	SKT BUTTON SCREW M6 x 40	N/A	N/A	N/A	6	10.2	40	3	4	3
xxx	SKT BUTTON SCREW M6 x 50	N/A	N/A	NA	6	10.2	50	3	4	3
xx	SKT BUTTON SCREW M6 x 30	N/A	N/A	NA	6	10.2	30	3	4	3
106620	SKT BUTTON SCREW M8 x 7	N/A	106401	1	8	13.4	7	4	5	3
106401	SKT BUTTON SCREW M8 x 12 S304	N/A	N/A	N/A	8	13.4	12	4	5	3



PARTS WITH XX BESIDE THEM ARE NOT STOCKED BY AIRBORNE

Rev	AMENDMENTS	Date

LAST ACCESSED: Monday, 9 July 2007
ALL DIMENSIONS IN MILLIMETERS UNLESS STATED OTHERWISE

Drawn By	Scale	Date	
Cris	2:1	23/05/03	

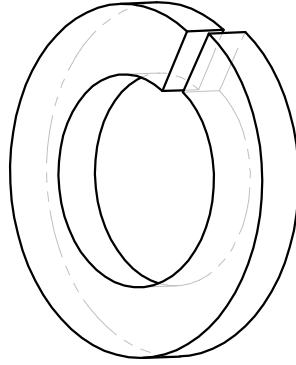
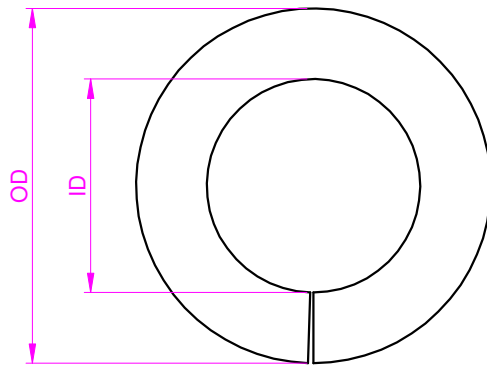
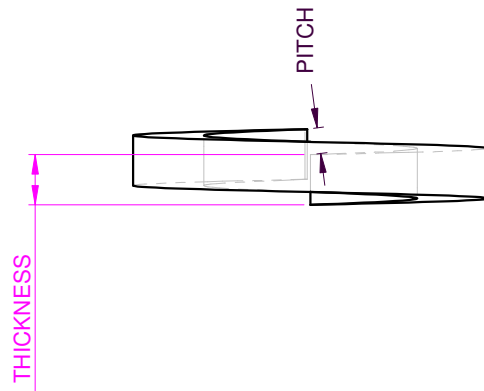
SKT HEAD BUTTON SCREWS - DESIGN TABLE

AirBorne AUSTRALIA

5677 SHEET 1 of 1

Design Table for: 5679

PART NO.	NAME
102935	*SPRING WASHER 1-4" ZINC
101366	SPRING WASHER 8 mm ZINC
104582	SPRING WASHER 6 mm ZINC
100600	SPRING WASHER 5-8"
103143	SPRING WASHER 3-8"
101367	SPRING WASHER 3-16"



NOTE:
WASHERS ARE FOR SW ASSEMBLY PURPOSES
ONLY, MAY NOT BE DIMENSIONALLY ACURATE

Rev	AMENDMENTS	Date
1	101366 CHANGED FROM 5/16"	30/07/03
2	1/4" OBSOLETE, NOW 6mm	18/10/04

LAST ACCESSED: Monday, 9 July 2007

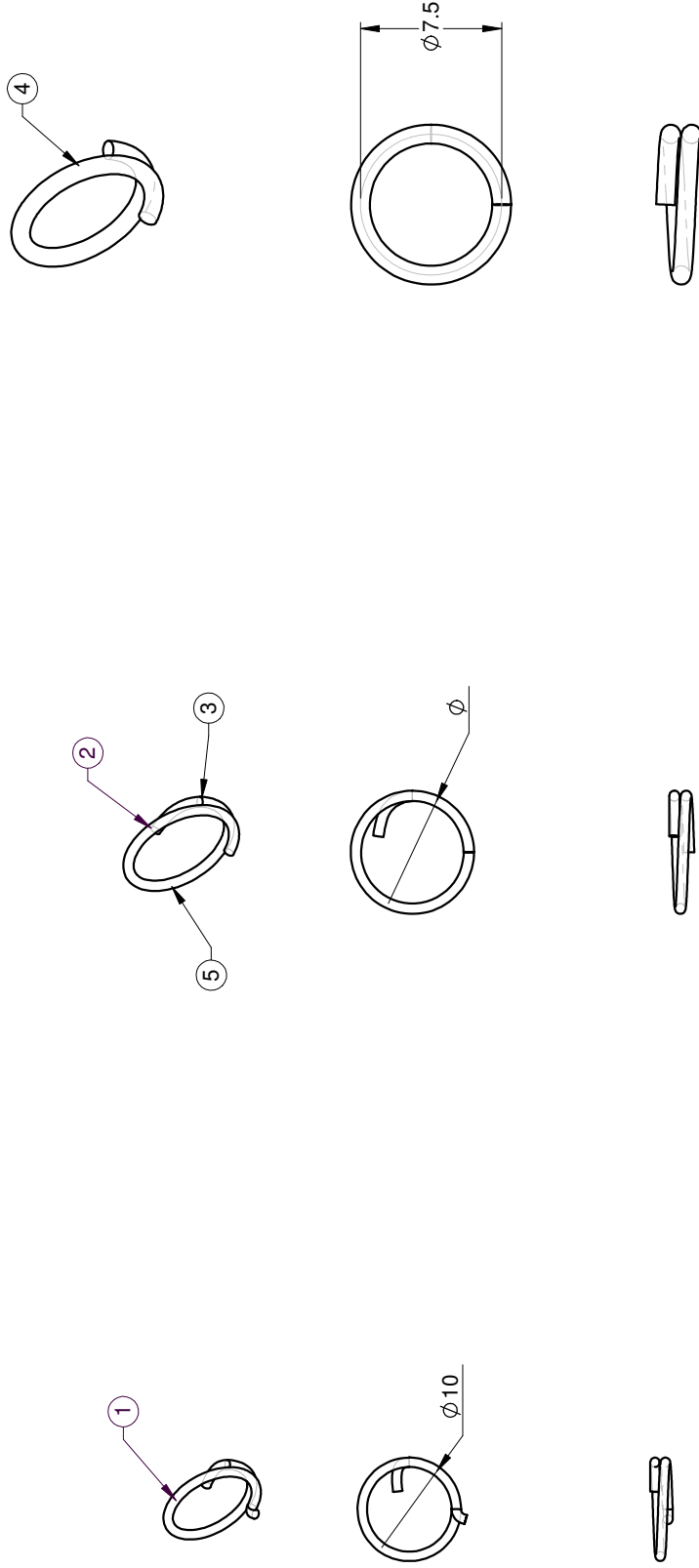
ALL DIMENSIONS IN MILLIMETERS UNLESS STATED OTHERWISE

SPRING WASHERS - DESIGN TABLE

Drawn By Cris	Scale 2:1	Date 23/05/03	AirBorne AUSTRALIA	5679 SHEET 1 of 1
------------------	--------------	------------------	------------------------------	----------------------

NOTE: BOM IS NOT LINKED TO PARTS
SEE 5720.XLS SHEET FOR PARTS LIST

ITEM NO.	PART NO.	NAME	MATERIAL
1	105508	SPLIT RING 10mm - PIP PIN	SS
2	100950	SPLIT RING 12mm RF114	SS
3	100955	SPLIT RING 22mm RF687	SS
4	104967	SPLIT RING 7.5mm SBR 1011	SS
5	106707	SPLIT RING 25mm BFS RELEASE SAFETY	SS



Rev	AMENDMENTS	Date
1	ADDED 104967, SUPERCEDED 6472	02-06-04

LAST ACCESSED: Thursday, 17 May 2007

ALL DIMENSIONS IN MILLIMETERS UNLESS STATED OTHERWISE

LOCKING RINGS - DESIGN TABLE

Drawn By	Scale	Date
Cris	1.5:1	06/06/03



5720
SHEET 1 of 1

Design Table for: 5910

PART NO.

105703

104188

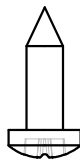
105140

NAME

SCREW SELF-TAPPING 1-2x6g 304SS

SCREW SELF-TAPPING 1-2x6g 304SS

SCREW SELF-TAPPING 1-4x8g 304SS



Rev	AMENDMENTS	Date

LAST ACCESSED: Thursday, 24 November 2005
ALL DIMENSIONS IN MILLIMETERS UNLESS STATED OTHERWISE



SCREWS SELF TAPPING -DESIGN TABLE

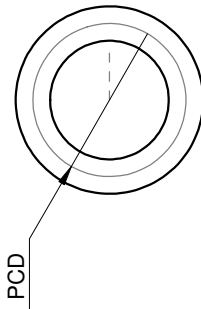
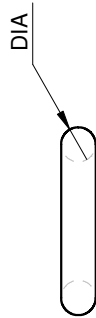
Drawn By
Cris

Scale
2:1

Date
24/07/03

AirBorne
AUSTRALIA

5909
SHEET 1 of 1



PART NO	NAME	DWG	DIA	PCD
105488	O-RING DRAIN COCK CAV-160	5932	1/16"	13/64"
100906	O-RING CYL HEAD #831790	5932		
103181	O-RING FUEL TANK	5932	9/64"	5/8"
100846	O-RING G-BOX 850360	5932		
100847	O-RING G-BOX 850430	5932		
102391	O-RING RUBBER M20x5	5932		

THIS DESIGN TABLE IS NOT LINKED TO THE MODEL
ANY CHANGES MUST BE UPDATED MANUALLY

Rev	AMENDMENTS	Date

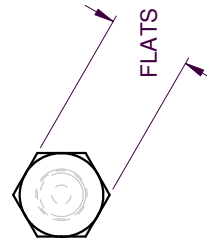
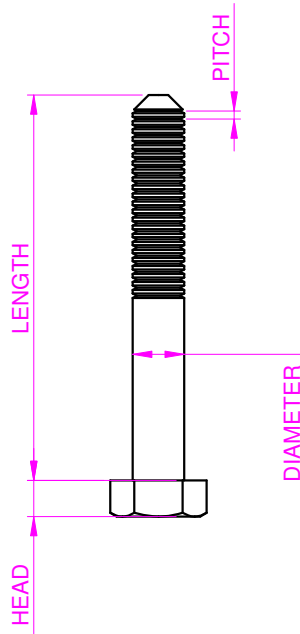
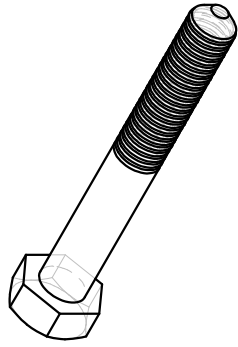
LAST ACCESSED: Monday, 9 July 2007
ALL DIMENSIONS IN MILLIMETERS UNLESS STATED OTHERWISE

O-RING - DESIGN TABLE

Drawn By Cris	Scale 1.5:1	Date 30/07/03	AirBorne AUSTRALIA	5932 SHEET 1 of 1
------------------	----------------	------------------	------------------------------	----------------------

Design Table for: METRIC BOLTS

PART NO.	NAME	LENGTH	DIA
BOLT 4.6 GR M8x60 ZINC	BOLT 4.6 GR M8x60 ZINC	60	8
BOLT 4.6 GR M8x80 ZINC	BOLT 4.6 GR M8x80 ZINC	80	8
BOLT 4.6 GR M8x100 ZINC	BOLT 4.6 GR M8x100 ZINC	100	8
BOLT 8.8 GR M12x220	BOLT 8.8 GR M12x220	220	12
BOLT 8.8 GR M8x12	BOLT 8.8 GR M8x12	12	8
BOLT 8.8 GR M8x15	BOLT 8.8 GR M8x15	15	8
BOLT 8.8 GR M8x70	BOLT 8.8 GR M8x70	70	8
BOLT 8.8 GR M8x75	BOLT 8.8 GR M8x75	75	8
BOLT 8.8 GR M8x75 DRILLED HEAD	BOLT 8.8 GR M8x75 DRILLED HEAD	75	8
BOLT 8.8 GR M8x80	BOLT 8.8 GR M8x80	80	8
BOLT 8.8 GR M8x90	BOLT 8.8 GR M8x90 GLD PASSIV	90	8
BOLT 8.8 GR M8x100	BOLT 8.8 GR M8x100	100	8
BOLT 8.8 GR M8x120	BOLT 8.8 GR M8x120	120	8
BOLT 8.8 GR M8x150	BOLT 8.8 GR M8x150	150	8
BOLT M5x20	BOLT M5x20	20	5
BOLT 8.8 GR M8x90 BLK	BOLT 8.8 GR M8x90 BLK	90	8



Rev	AMENDMENTS	Date
1	M8x110 (#104735) DELETED - DCR 2025 20/10/04	

LAST ACCESSED: Monday, 9 July 2007

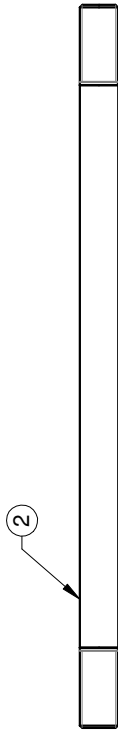
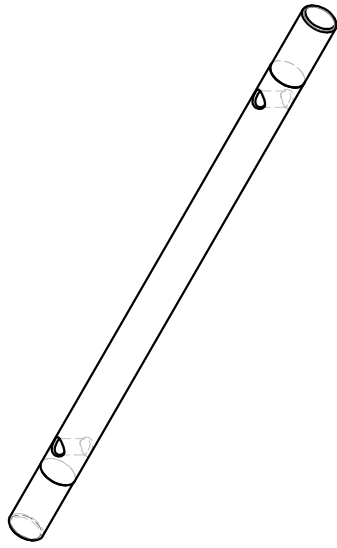
ALL DIMENSIONS IN MILLIMETERS UNLESS STATED OTHERWISE

METRIC BOLTS - DESIGN TABLE

Drawn By	Scale	Date	5935 SHEET 1 of 1
Cris	1:1	30/07/03	

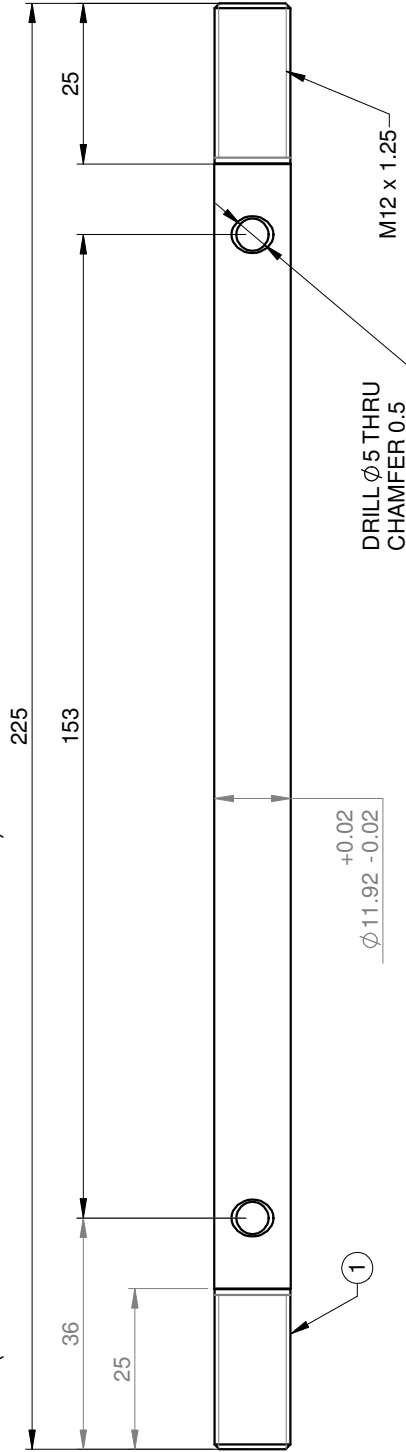


ITEM NO.	PART NO.	NAME	MATERIAL DESCRIPTION	MATL. NO.	REQD
2	103613	BOLT AXLE GREMICA WHEEL UNDRILLED	8.8 GRADE	NA	225



AXLE BOLT ORIGINALLY ON TC A4-4510
PART #103613 IS A COPRODUCT OF PART NO 102931 SEE A4-6937

AXLE BOLT TYPE 2, PART # 103613
ZINC PLATED, GOLD PASSIVATED 20um
AFTER MACHINING
(PART OCCASIONALLY MADE BY AIRBORNE)



ITEM NO.	PART NO.	NAME	MATERIAL DESCRIPTION	MATL. NO.	REQD
1	102903	BOLT AXLE TYPE 2 FRONT END	BOLT AXLE GREMICA WHEEL	103613	1

Rev	AMENDMENTS	Date
1	AXLE BOLT MOVED FROM A4-4510	4/11/04
2	COPRODUCT NOTE ADDED DCR 2242	20/04/06

LAST ACCESSED: Monday, 9 July 2007
ALL DIMENSIONS IN MILLIMETERS UNLESS STATED OTHERWISE

AXLE BOLT GREMICA WHEEL

Drawn By	Scale	Date
Cris	1:1	10/08/04

AirBorne
AUSTRALIA

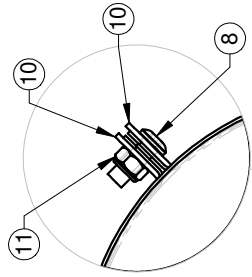
5962
SHEET 1 of 1

19 OPTIONS – PARACHUTE, RADIO, SERVICE KIT

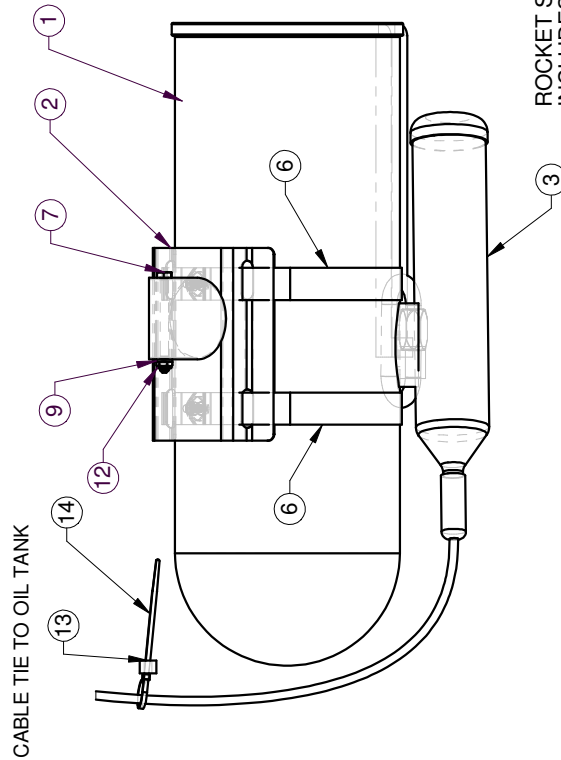
- 19.1 *Parachute Sub-Assembly*
 - 19.1.1 Parachute Rocket Assembly BRS XT - *Drawing # 5904*
- 19.2 *Radio Sub-Assembly*
 - 19.2.1 Wiring Loom Radio XT - *Drawing # 6512*
- 19.3 *Lynx Radio Options*
 - *Drawing # 6587*
 - *Drawing # 6550*
 - *Drawing # 6588*

ITEM NO.	NAME	DWG	PART NO.	QTY.
1	PARACHUTE CANISTER BRS 1050	5902	106709	1
2	PARACHUTE MOUNT BRS XT COMPONENT	5905	105724	1
3	PARACHUTE ROCKET ASSEMBLY BRS XT	6512	106545	1
4	PARACHUTE BRIDLE BRS XT	6518	106551	1
5	CARABINER 12mm x 80 - SCREW TYPE	6522	106555	1
6	PARACHUTE CLAMP BRS	6517	106550	2
7	BOLT AN4-27 a	5450	100010	1
8	SKT BUTTON SCREW M6 x 16	5677	101752	2
9	WASHER AN4	5540	100042	1
10	WASHER SS 1-4 X 3-4"	5540	102018	4
11	NUT NYLOC M 6	5604	102132	2
12	NUT NYLOC AN4 HALF	5561	100035	1
13	HOSE BUSH 6ID x 10L	5726	106720	1
14	CABLE TIE MED	5605	101193	1

NOTE:
PURCHASED PART. PARACHUTE MICROLIGHT BRS 1050 INCLUDES, CANISTER, ROCKET RELEASE HANDLE ETC PART NO. 105524 (INCLUDED IN FOXPRO A4-5904) PARTS SHOWN HERE THAT MAKE UP 105524 ARE REFERENCED IN FOXPRO



FIT THIS END ONTO PARACHUTE MOUNT INTERNAL TUBE ON TRIKE (SEE 5659) ATTACH WITH BOLT AS SHOWN



ROCKET SUB-ASSEMBLY INCLUDES RELEASE HANDLE NOT SHOWN HERE

WEIGHT INCLUDING RELEASE HANDLE BRACKETS ETC = APPROXIMATELY 12 kg

PARACHUTE BRIDGE SCHEMATIC FOR BOM PURPOSES ONLY

UPDATE GJP FORMS WITH REV CHANGE

Rev	AMENDMENTS	Date
1	KIT ADDED SHEET 2, PARTS REMOVED	25/03/04
2	DCR 2258, CHANGE EYEBOLT P #	05-09-06

PART NO. 105723 -

LAST ACCESSED: Monday, 9 July 2007

ALL DIMENSIONS IN MILLIMETERS UNLESS STATED OTHERWISE

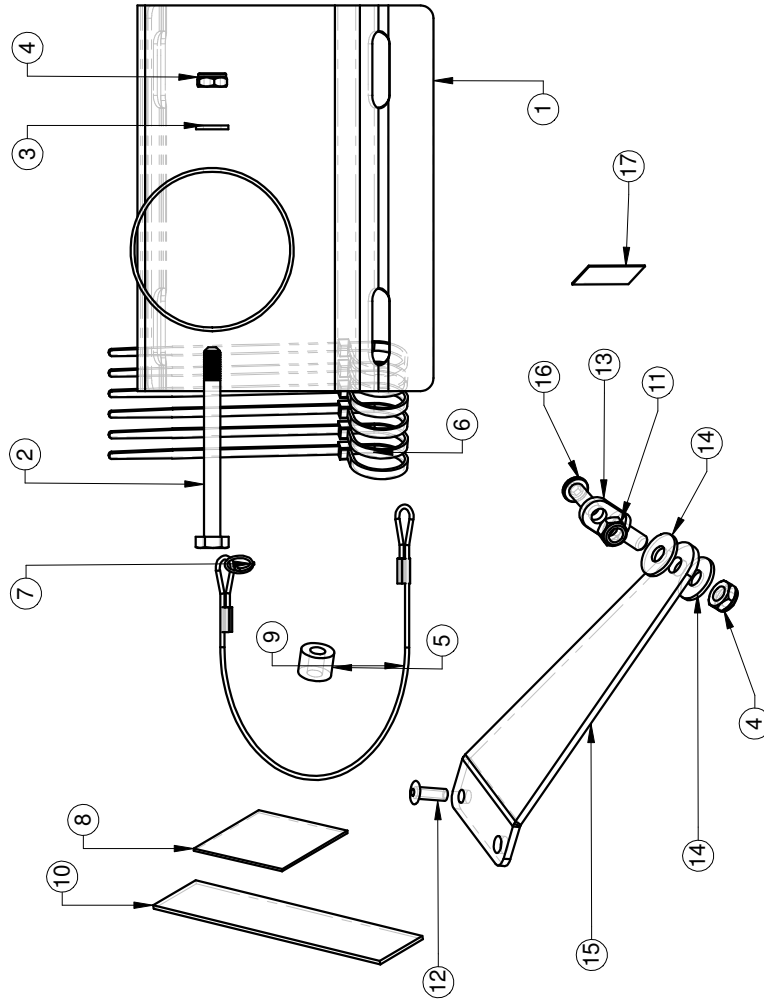
PARACHUTE SUB-ASSEMBLY BRS XT

Drawn By	Scale	Date
Cris	1:5	22/07/03

AirBorne AUSTRALIA

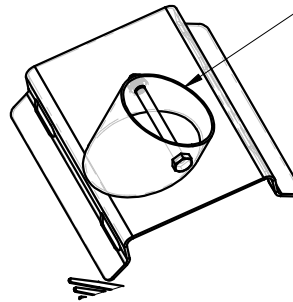
5904
SHEET 1 of 2

PARTS BELOW REQUIRED FOR BRS PARACHUTE MOUNTING KIT
 FOR INSTALLATION INSTRUCTIONS FOR THE BRS RECOVERY SYSTEM
 SEE ENGINEERING REPORT 04-210



SEE PARACHUTE KIT INSTALLATION
 DOCUMENTATION FOR ASSEMBLY
 INSTRUCTIONS ENGRPT 04/210

ITEM NO.	NAME	DWG	PART NO.	QTY.
1	PARACHUTE MOUNT BRS XT COMPONENT	5905	105724	1
2	BOLT AN4-27 a	5450	100010	1
3	WASHER AN4	5540	100042	1
4	NUT NYLOC AN4 HALF	5561	100035	2
5	HOSE BUSH 6ID x 10L	5726	106720	1
6	CABLE TIE MED	5605	101193	6
7	SPLIT RING 10MM - PIP PIN	5720	105508	1
8	VELCRO LOOP 50x40	6313	106664	1
9	PARACHUTE RELEASE TAG SAFETY CABLE XT	6553	106773	1
10	VELCRO HOOK 25x120 ADHESIVE	6313	106774	1
11	NUT NYLOC M 6	5604	102132	1
12	POP RIVET SS 3/16"	5515	102205	1
13	EYEBOLT AN43b- 4a DRILLED 1-4"	6538	108089	1
14	WASHER NYLON M6 XOD	5540	101055	2
15	BRACKET PARACHUTE HANDLE XT	6537	106624	1
16	SKT BUTTON SCREW M6 x 16	5677	101752	1
17	PLACARD EMERGENCY PARACHUTE BRS	5900	106647	1



FIT THIS END ONTO
 PARACHUTE MOUNT
 INTERNAL TUBE ON
 TRIKE (SEE 5659)
 ATTACH WITH BOLT
 AS SHOWN

PARACHUTE MOUNT KIT BRS XT

Drawn By	Scale	Date	5904 SHEET 2 of 2
Cris	1:2.5	06/05/03	

Rev AMENDMENTS

Rev	AMENDMENTS	Date

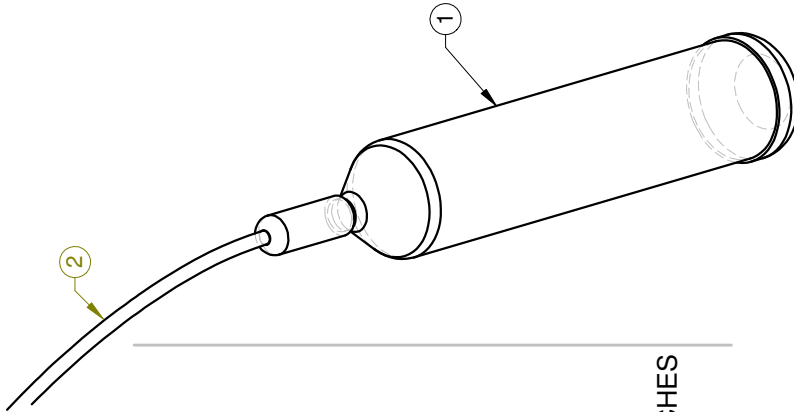
PART NO. 106374 -

LAST ACCESSED: Monday, 9 July 2007

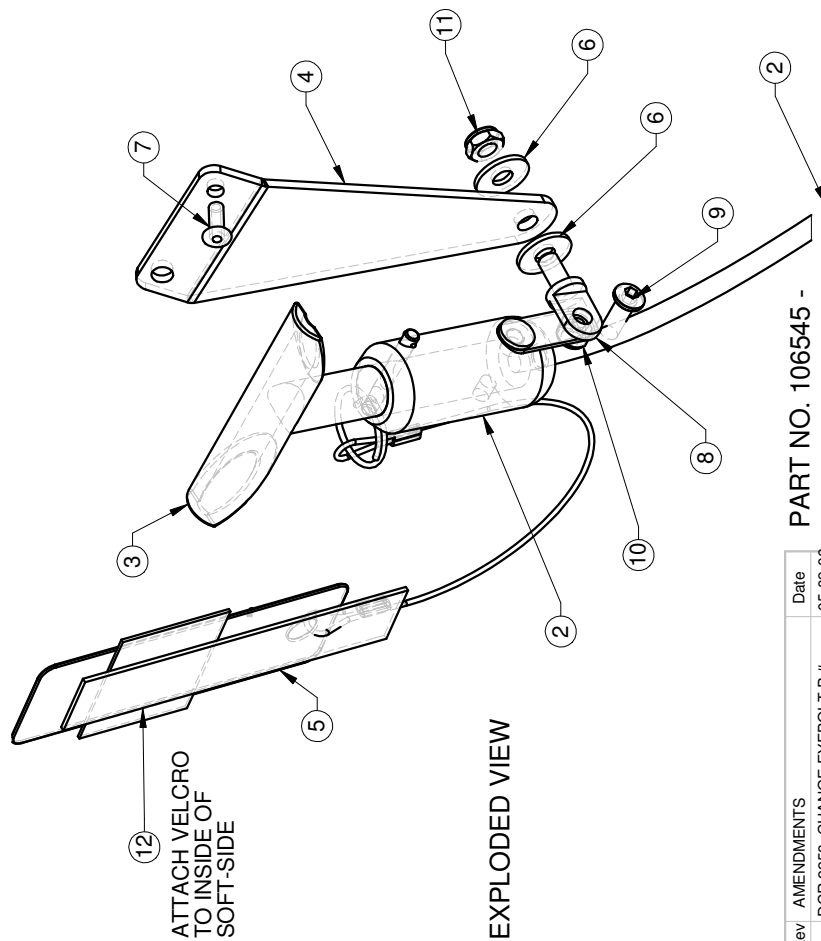
ALL DIMENSIONS IN MILLIMETERS UNLESS STATED OTHERWISE

ITEM NO.	NAME	DWG	PART NO.	QTY.
1	PARACHUTE ROCKET BRS	6511	106544	1
2	PARACHUTE RELEASE CABLE BRS	6514	106547	1
3	PARACHUTE RRELEASE HANDLE BRS	6513	106546	1
4	BRACKET PARACHUTE HANDLE XT	6557	106624	1
5	PARACHUTE RELEASE TAG COMPLETE XT	6553	106657	1
6	WASHER NYLON M6 XOD	5540	101055	2
7	POP RIVET SS 3/16"	5515	102205	1
8	EYEBOLT AN43b- 4a DRILLED 1-4"	6558	108089	1
9	SKT BUTTON SCREW M6 x 16	5677	101752	1
10	NUT NYLOC M 6	5604	102132	1
11	NUT NYLOC AN4 HALF	5561	100035	1
12	VELCRO HOOK 25x120 ADHESIVE	6313	106774	1

NOTE:
PURCHASED PART. PARACHUTE MICROLIGHT BRS 1050 INCLUDES, CANISTER, ROCKET RELEASE HANDLE ETC PART NO. 105524 (INCLUDED IN FOXPRO A4-5904) PARTS SHOWN HERE THAT MAKE UP 105524 ARE REFERENCED IN FOXPRO



NOTE:
THIS MODEL HAS
DEPENDENT SKETCHES



EXPLODED VIEW

Rev	AMENDMENTS	Date
1	DCR 2258, CHANGE EYEBOLT P #	05-09-06

PART NO. 106545 -

LAST ACCESSED: Friday, 20 July 2007

ALL DIMENSIONS IN MILLIMETERS UNLESS STATED OTHERWISE

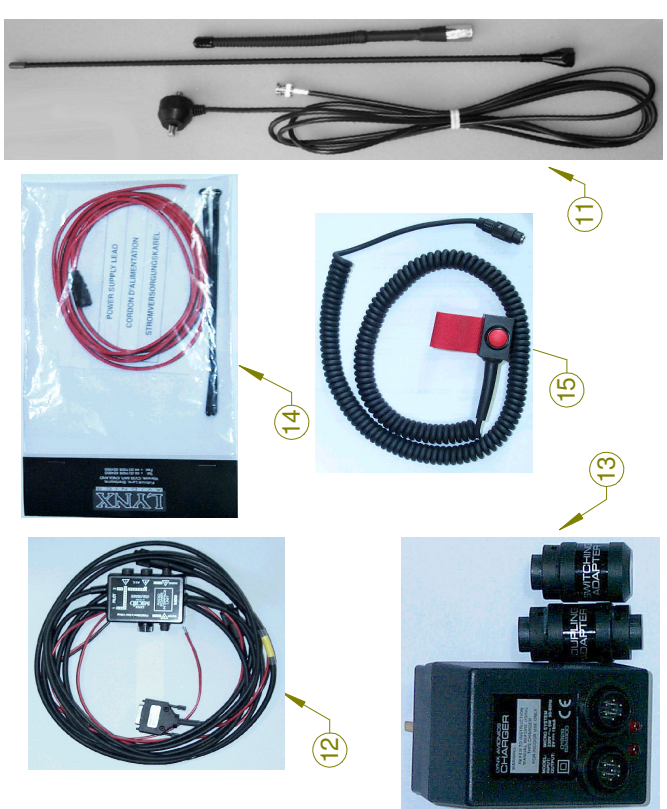
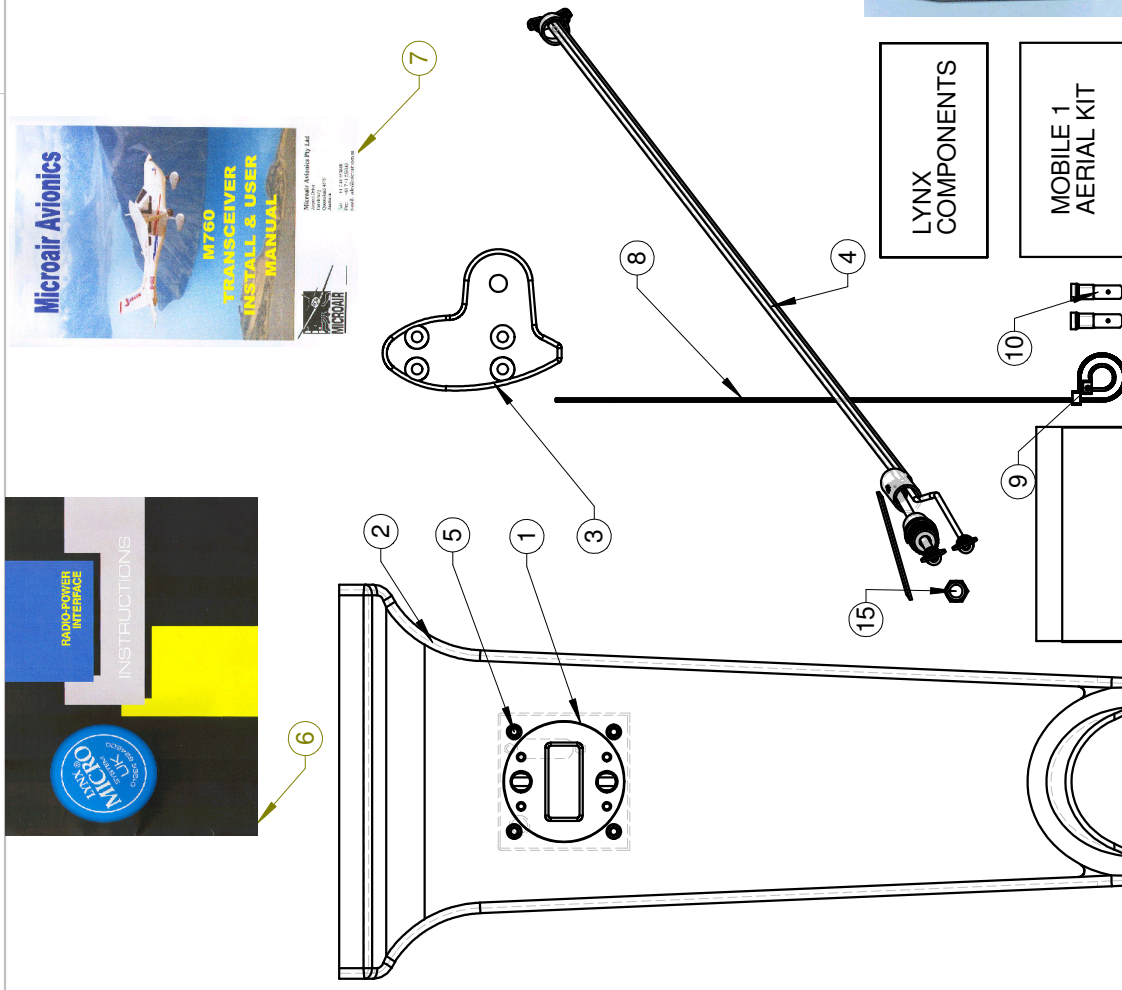
PARACHUTE ROCKET ASSEMBLY BRS XT

Drawn By	Scale	Date
Cris	1:3	6/08/04

AirBorne
AUSTRALIA

6512
SHEET 1 of 1

ITEM NO.	NAME	DWG PART NO.	QTY.
1	MICROAIR 760 VHF TRANSCIVER	6273	1
2	CONSOLE X-XT WITH MICRO-AIR CUTOUT	5756	1
3	KINGPOST TOP FITTING PLATE AERO - AERIAL	6347	1
4	WIRING LOOM RADIO XT	6550	1
5	SKT CAP SCREW SS M 4 X 12	5603	4
6	MANUAL LYNX RADIO-POWER & GUARANTEE	6930	1
7	MANUAL MICROAIR M760 & WARRANTY	6930	1
8	CABLE TIE LONG	5605	6
9	CABLE TIE (SHORT) 98MM	5605	2
10	CONNECTOR SPADE MALE YELLOW	6256	2
11	AERIAL KIT	5429	1
12	LYNX RADIO INTERFACE AND POWER ADAP	6588	1
13	LYNX POWER SUPPLY LEAD	6588	1
14	LYNX PTT SWITCH BAR MOUNT	6588	1
15	NUT NYLOC M 6 TURNED DOWN (THIN)	5604	1



Rev AMENDMENTS
1 BOM, remove 106238
 Date 16/11/06
 PART NO. 106761
 LAST ACCESSED: Monday, 9 July 2007
 ALL DIMENSIONS IN MILLIMETERS UNLESS STATED OTHERWISE

RADIO M760 OPTION XT912-B

Drawn By Simon Scale 1:3 Date 02/03/03
 SHEET 1 of 2

AirBorne
AUSTRALIA

6587



PHOTO SHOWS WIRE ROUTING AFTER INSTALL.

Drawn By	Scale	Date	6587 SHEET 2 of 2
Simon	1:3	02/08/03	

AirBorne AUSTRALIA

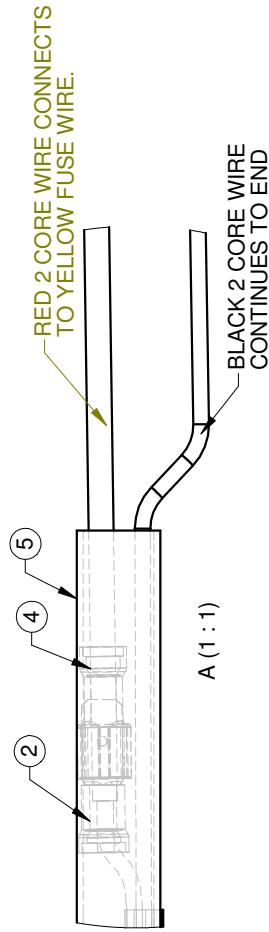
LAST ACCESSED: Monday, 9 July 2007
ALL DIMENSIONS IN MILLIMETERS UNLESS STATED OTHERWISE

Rev	AMENDMENTS	Date

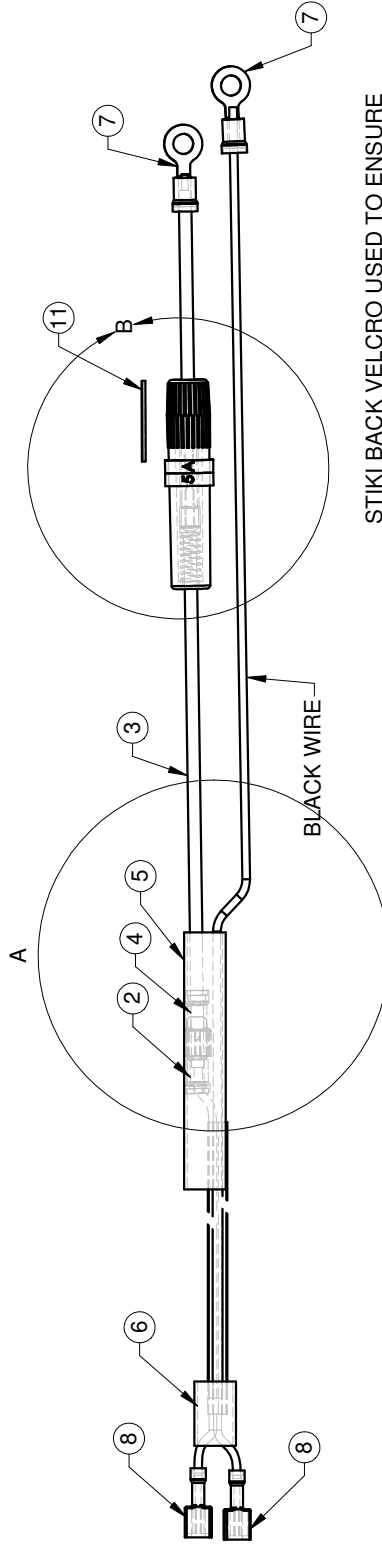
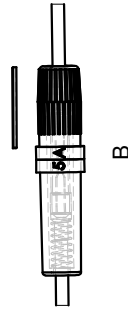
PART NO.

ITEM NO.	NAME	DWG	PART NO.	QTY.
1	WIRE 2 CORE X 2270	6549	106651	1
2	CONNECTOR SPADE MALE YELLOW	6256	102230	1
3	FUSE HOLDER INLINE WITH 5A	6259	106650	1
4	CONNECTOR SPADE FEMALE CLR LGE	6257	103900	1
5	HEATSHRINK CLR 13mm x 80	5582	106379	1
6	HEATSHRINK BLK 13mm x 20	5582	106652	1
7	CONNECTOR 6mm HOLE YELLOW	6252	102232	2
8	CONNECTOR SPADE FEMALE BLUE	6254	102235	2
9	HEAT SHRINK MARKER LEDGEND 5	6556	106661	1
10	HEAT SHRINK MARKER LEDGEND A	6556	106662	1
11	VELCRO LOOP 25x50 ADHESIVE	6313	105887	1

INSTRUCTIONS:
 1. YELLOW MALE SPADE CONNECTOR ON RED WIRE
 2. CLEAR FEMALE SPADE CONNECTOR ON YELLOW WIRE



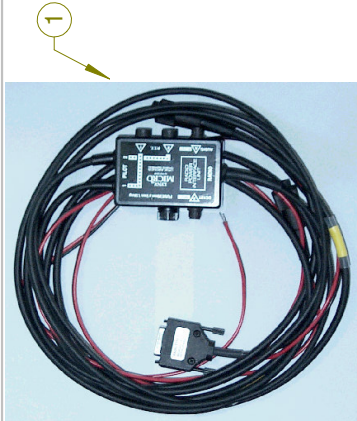
DETAIL OF FUSE HEAT SHRINK MARKERS, ALIGNED WITH THE "A" CLOSEST TO THE SOLENOID +VE



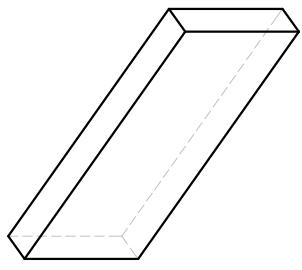
STIKI BACK VELCRO USED TO ENSURE FUSE HOLDER DOES NOT UNSCREW.

Rev	AMENDMENTS	Date	PART NO. 106653 - 0	
			LAST ACCESSED: Friday, 20 July 2007	
			ALL DIMENSIONS IN MILLIMETERS UNLESS STATED OTHERWISE	
			Drawn By Simon	Scale 1:2
			Date 24-05-04	6550 SHEET 1 of 1

ITEM NO.	PART NO.	NAME	MATERIAL DESCRIPTION	MATL. NO.	REQD
1	106238	INTERCOM SYSTEM LYNX	NA	NA	NA
ITEM NO.	PART NO.	NAME	MATERIAL DESCRIPTION	MATL. NO.	REQD
2	106206	LYNX AUDIO INPUT/OUTPUT LEAD	NA	NA	NA
ITEM NO.	PART NO.	NAME	MATERIAL DESCRIPTION	MATL. NO.	REQD
3	101791	LYNX DUAL HEADSET PACKAGE	NA	NA	NA
ITEM NO.	PART NO.	NAME	MATERIAL DESCRIPTION	MATL. NO.	REQD
4	106207	LYNX MOBILE TELEPHONE LEAD NOKIA	NA	NA	NA
ITEM NO.	PART NO.	NAME	MATERIAL DESCRIPTION	MATL. NO.	REQD
5	101786	LYNX POWER SUPPLY LEAD	NA	NA	NA
ITEM NO.	PART NO.	NAME	MATERIAL DESCRIPTION	MATL. NO.	REQD
6	101781	LYNX PTT SWITCH BAR MOUNT	NA	NA	NA
ITEM NO.	PART NO.	NAME	MATERIAL DESCRIPTION	MATL. NO.	REQD
7	101780	LYNX RADIO INTERFACE AND POWER ADAP	NA	NA	NA
ITEM NO.	PART NO.	NAME	MATERIAL DESCRIPTION	MATL. NO.	REQD
8	101794	LYNX SINGLE HEADSET & HELMET PACKAG	NA	NA	NA
ITEM NO.	PART NO.	NAME	MATERIAL DESCRIPTION	MATL. NO.	REQD
9	101793	LYNX SINGLE HEADSET PACKAGE	NA	NA	NA
ITEM NO.	PART NO.	NAME	MATERIAL DESCRIPTION	MATL. NO.	REQD
10	101775	LYNX SWITCHING ADAPTOR	NA	NA	NA
ITEM NO.	PART NO.	NAME	MATERIAL DESCRIPTION	MATL. NO.	REQD
11	106237	MICROAIR RADIO OPTION LYNX HEADSETS	NA	NA	NA



SOME COMPONENTS DO NOT HAVE PHOTOS AT THIS STAGE



VIRTUAL PARTS

PART NO. SEE BOM

Rev	AMENDMENTS	Date

LAST ACCESSED: Monday, 9 July 2007
ALL DIMENSIONS IN MILLIMETERS UNLESS STATED OTHERWISE

LYNX RADIO OPTION COMPONENTS (ALL)

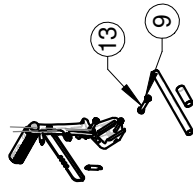
Drawn By	Scale	Date	6588 SHEET 1 of 1
Simon	1:2	03-12-04	

20 RETROFIT KITS

20.1 RETRO KIT XTMK2 OBACK TO MK2 DISK - Drawing # 7467

NOTE:
 1. DETAILED ASSEMBLY DRAWINGS AND INSTRUCTIONS ARE PROVIDED AS ENGINEERING REPORT # 07040ds.doc THIS REPORT SHOULD BE PRINTED AND SUPPLIED TO THE CUSTOMER WITH EACH KIT.
 2. APPROX 200ml OF BRAKE FLUID IS USED TO FILL THE BRAKE SYSTEM, THIS IS REFLECTED IN THE BOM.
 3. SOME NUTS AND BOLTS ON THE BILL OF MATERIALS ARE PROVIDED AS SPARES AND MAY NOT BE NEEDED. NYLOC NUTS MAY BE REUSED ONCE.
 4. IT IS SUGGESTED THAT ONE SIDE SHOULD BE DONE AT A TIME WHERE POSSIBLE.
 5. TAKE PHOTOS PRIOR TO DISASSEMBLY TO AID IN REASSEMBLY IF NECESSARY.
 6. INSTALLATION TO BE PERFORMED BY PERSON(S) WITH APPROPRIATE QUALIFICATIONS FOR THE APPLICABLE CERTIFICATION TYPE AND GOVERNING BODY.

IF IN DOUBT CONTACT THE MANUFACTURER.



NOTE:
 ITEMS 9 AND 13 AS SHOWN REPLACE THE EXISTING BOLT ON THE FORK

NOTE:
 OWNERS OF TRIKE SERIAL NUMBERS HIGHER THAN 179 MANUFACTURED AFTER MAY 2007 FOR XT 912 AND SERIAL NUMBERS HIGHER THAN 41 MANUFACTURED AFTER APRIL 2007 FOR XT 582 REQUIRE THIS KIT TO UPGRADE TO DISK BRAKES. OWNERS OF "MK1" TRIKES PRIOR TO THESE SERIAL NUMBERS SHOULD REFER TO DWG # 7466 PART # 108685 TO UPGRADE TO DISK BRAKES.

ITEM NO.	NAME	DWG	PART NO.	QTY.
1	BRAKE LEVER SUB-ASSEM XT GREY DISK BRAKE	7362	108464	1
2	DISK BRAKE KIT (WIP) FREE BIRD	7344	108469	1
3	DISK BRAKE LINE ASSEMBLY	7422	108586	1
4	BUSH ALLOY 180D 13ID X 10L	5453	108588	1
5	SKT CSK SCREW UNF 1-4" x 1"	5568	102062	2
6	NUT NYLOC AN4 FULL	5535	100034	2
7	BRAKE FLUID CASTROL TQ DEXRON III	7423	108510	1
8	CABLE TIE MED	5605	101193	2
9	NUT NYLOC AN5 HALF	5561	100037	1
10	Bolt AN3-21 a	5449	101184	1
11	NUT NYLOC AN3 FULL	5535	100051	1
12	WASHER AN3	5540	100049	3
13	BOLT AN5-15 a	5493	100015	1
14	SCOURER GRIT PLUG MASTER CYL VENT 8.8MM	7468	108626	1
15	BRAKE KIT DISK MANUAL PAGES	7462	108680	1
16	CABLE TIE X-LONG	5605	101194	4
17	LOCTITE 567 Thread Sealant	5637	103705	1
18	TUNDRA FRONT AXLE SLEEVE - 198MM	6368	108478	1
19	TUNDRA FRONT AXLE SLEEVE - 50.5MM	6368	108479	1



Rev	AMENDMENTS	Date

PART NO. 108686

LAST ACCESSED: Monday, 9 July 2007
 ALL DIMENSIONS IN MILLIMETERS UNLESS STATED OTHERWISE

Drawn By	Scale	Date	AirBorne AUSTRALIA
Simon	1:15	06-07-07	

RETRO KIT XTMK2 OBACK TO MK2 OBACK DISK

7467
SHEET 1 of 1